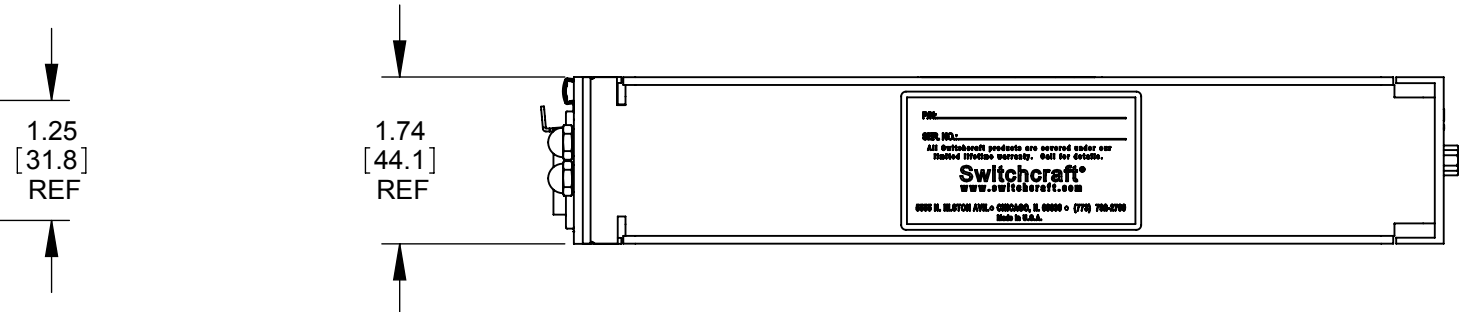
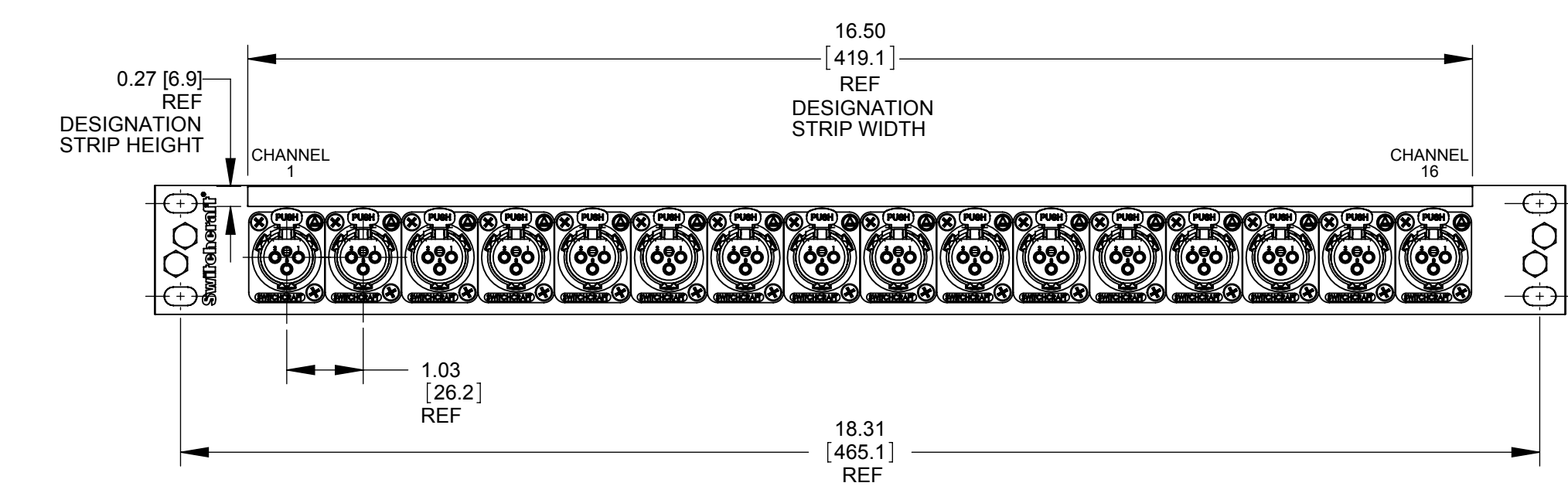
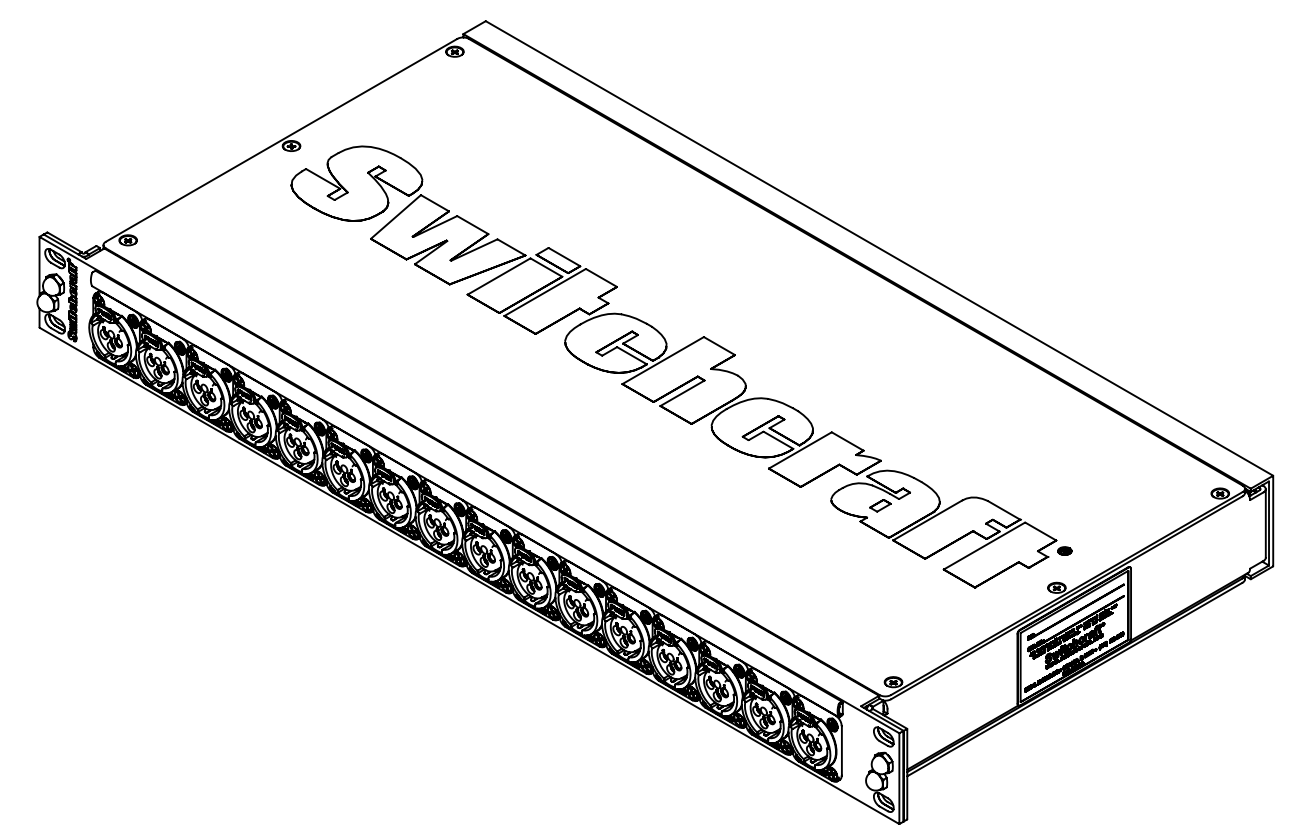
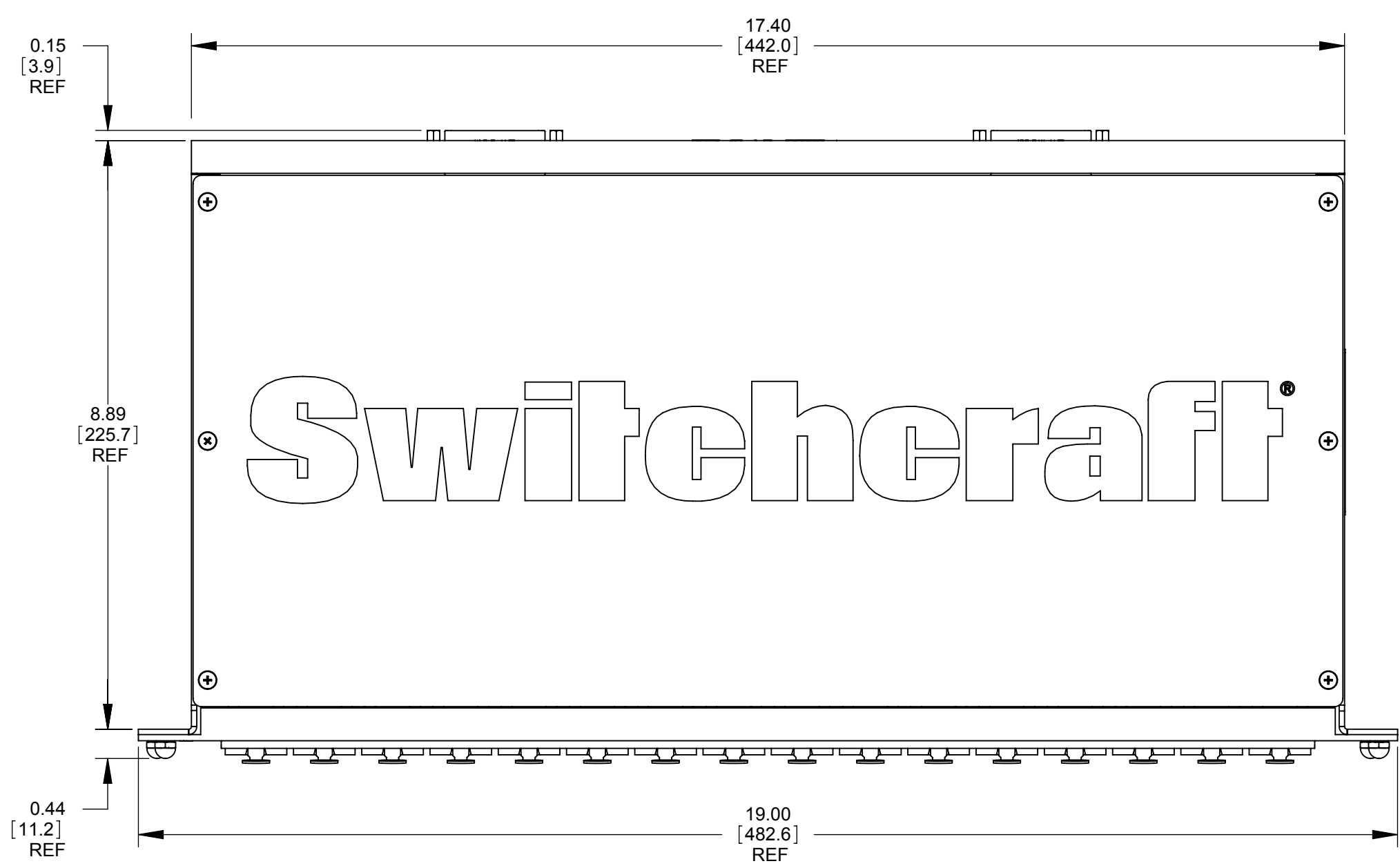


DETAIL A
(PIN OUT REPEATS FOR EACH SET OF 8 CHANNELS)
SCALE 3:1

DB-25 WIRING CHART			
XLR (CHANNEL)	PIN 1	PIN 2	PIN 3
1	25	24	12
2	11	10	23
3	22	21	9
4	8	7	20
5	19	18	6
6	5	4	17
7	16	15	3
8	2	1	14



- NOTES:
1. BLUE ANODIZED ALUMINUM CHASSIS.
 2. THIS PRODUCT IS RoHS COMPLIANT.

CUSTOMER DRAWING

UNLESS OTHERWISE SPECIFIED					THIS DRAWING DESCRIBES A DESIGN CONSIDERED PROPRIETARY IN NATURE, DEVELOPED AND MANUFACTURED BY SWITCHCRAFT INC. AND IS RELEASED ON A CONFIDENTIAL BASIS FOR IDENTIFICATION PURPOSES ONLY.				
1. ALL DIMENSIONS IN INCHES [mm]					SIZE	WIDTH	MULT	LBS/M	TEMPER
- TWO PLACE DECIMALS ±0.02 [0.5]					FINISH				MATERIAL
- THREE PLACE DECIMALS ±0.005 [0.13]					SPEC No.				SPEC No.
DO NOT SCALE DRAWING					FIRST USED ON				SCALE
SolidWorks CAD File					DATE DRAWN	BY	CHKD	APVD	Switchcraft®
REVISIONS					7/23/08	BHM	10/20/15	10/20/15	
					NAME				SHEET 1 OF 1
					PASS-THROUGH I/O PANEL 1RU 16 FEMALE XLR, RoHS				REV B
					PART No.				
					PT16FX2DB25				