



PART NO. : TG22-S137NLRL

16PIN SURFACE MOUNT 10/100BASE-T ISOLATION
MODULE WITH AUTO TRANSFORMER ON TRANSMIT
CHANNEL FOR IMPROVED COMMON MODE TERMINATION

LEAD-FREE/RoHS COMPLIANT

COMPATIBLE TO LEAD-FREE SOLDERING PROCESS
CONDITION PER IPC/JEDEC J-STD-020C

OPERATING TEMPERATURE 0/+70°C

ELECTRICAL SPECIFICATIONS @25° C

URNS RATIO

TX P16-15:P10-11

1.25CT:1CT±3%

RX P1-2:P7-6

1CT:1CT±3%

OCL (100KHz,0.1Vrms,8mA)

Cable Side

350µH min

DCR

0.9Ω max

LL P6-7,P10-11

0.35µH max

Cw/w

20pF typ

CROSSTALK 0.1-100MHz

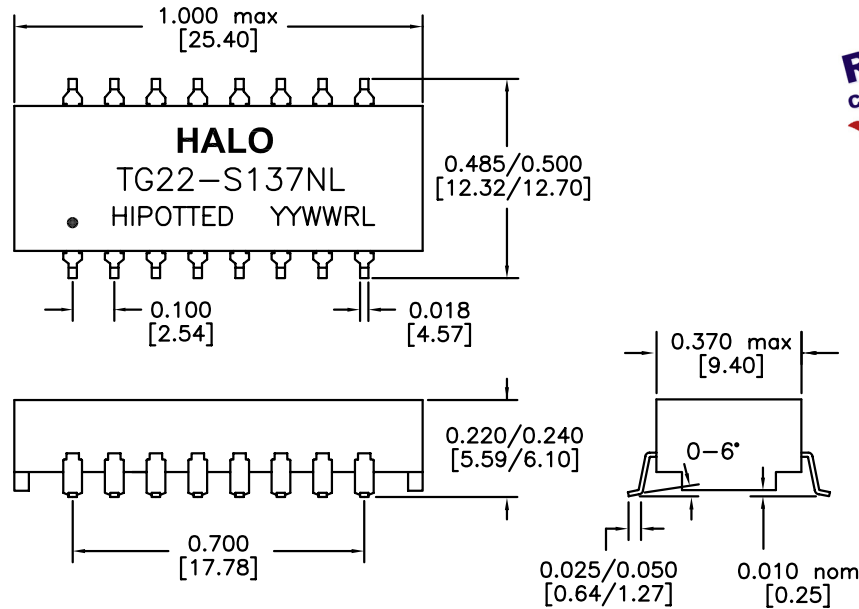
-38dB min

CMR 0.1-100MHz

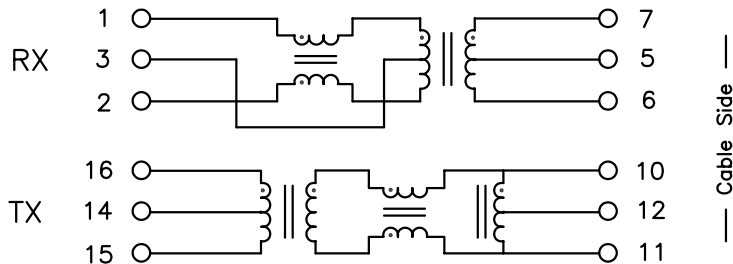
-40dB typ

ISOLATION

1,500Vrms



DIMENSIONS: Inch [mm]
CO-PLANARITY: 0.004 [0.10]
TOLERANCES: ±0.005 INCH IF NOT SPECIFIED



HALO/PBL

CALIFORNIA, USA
KOWLOON, HONG KONG
SINGAPORE

TITLE	ISOLATION MODULE		SIGNATURES	DATE	REV.	DESC.	DATE
FOR	FAST ETHERNET		DRAWN PETER LU	6/22/06	A		
PART NO.	TG22-S137NLRL		CHECKED				
SCALE	NONE	PAGE	1 OF 1	APPROVED			
			FILE	S137NLRL.DWG			