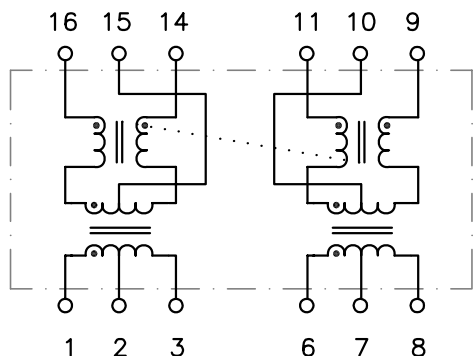


**PART NO. : TD75-1406KRL**

16PIN DIP ISOLATION MODULE  
 MEET REQUIREMENTS OF 10BASE-T  
 FILTERLESS SOLUTION  
 RoHS COMPLIANT  
 COMPATIBLE TO LEAD-FREE WAVE SOLDERING  
 PROCESS FOR THROUGH HOLE COMPONENTS  
 OPERATING TEMPERATURE 0/70°C

DIMENSIONS: Inch [mm]  
 TOLERANCES: ±0.005 INCH IF NOT SPECIFIED



**ELECTRICAL SPECIFICATIONS @25° C**

TURNS RATIO  
 P1-3:P16-14 1CT:1CT ±3%  
 P6-8:P11-9 1CT:2CT ±3%  
 OCL P1-3 140µH typ  
 P6-8 25µH typ  
 DCR P1-3,P6-8 0.3Ω max  
 Cw/w 15pF max  
 LL P1-3,P6-8 0.4µH max  
 CHOKE OCL 30µH typ  
 ISOLATION 1,500Vrms



**HALO/PBL**

CALIFORNIA, USA  
 KOWLOON, HONG KONG  
 SINGAPORE

TITLE	16PIN ISOLATION MODULE		SIGNATURES		DATE	REV.	DESC.	DATE
	FOR		DRAWN		2/21/08	A	FIRST ISSUE	2/21/08
	PART NO.		CHECKED		2/21/08			
	SCALE		APPROVED		2/21/08			
	NONE	PAGE	1 OF 1	FILE	TD75KRL.DWG			