

- Forced air cooled design approach
- Operating temperature range -30°C to $+70^{\circ}\text{C}$
- I/O reinforced isolation 4250 VAC
- Over voltage category (OVC III)
- High efficiency up to 92%
- Operating up to 5000 m altitude
- Internal EN 55032 conducted class B filter
- Protection class I prepared
- 3-year product warranty



The TCI 500 is a 500 Watt forced air cooled AC/DC encased power supply series with a 4250 VAC reinforced isolation system. Traco Power's new TCI line focuses on maximizing the proficiency of conduction cooled systems as it offers superior temperature behavior when mounted on a metal chassis or baseplate. Excellent efficiency of up to 92% allows the TCI 500 series to operate from -30 to $+70^{\circ}\text{C}$ with load derating. They also meet OVC III requirements and can operate at up to 5000 m altitude. Active power factor correction, EMC characteristics dedicated for applications in industrial/automation and test & measurement fields and high reliability make the new TCI line an ideal solution for any demanding industrial application.

Models				
Order Code	Output Power max.	Output Voltage nom. (adjustable)	Output Current max.	Efficiency typ.
TCI 500-112-T	500 W	12 VDC (11.4 - 12.6 VDC)	41'500 mA	90 %
TCI 500-124-T		24 VDC (22.8 - 25.2 VDC)	20'800 mA	91 %
TCI 500-148-T		48 VDC (45.6 - 50.4 VDC)	10'410 mA	92 %

Options	
TCI 500-AUX	- Optional Cable: www.tracopower.com/overview/tci500-aux
TCI-AC1	- Optional Cable: www.tracopower.com/overview/tci-ac1

Input Specifications

Input Voltage	- AC Range	Operational Range: 90 - 264 VAC (Full Range) Rated Range: 100 - 240 VAC (Full Range)
	- DC Range	Operational Range: 127 - 370 VDC (Designed for, no certification) Polarity: irrelevant
Input Frequency		Operational Range: 47 - 63 Hz Certified: 50/60 Hz
Power Consumption	- No load & Vin = 230 VAC	1.8 W max.
	- No load & Vin = 115 VAC	1.8 W max.
Input Current	- Full load & Vin = 230 VAC	3'150 mA max.
	- Full load & Vin = 115 VAC	6'300 mA max.
Input Inrush Current	- At 230 VAC	80 A max.
	- At 115 VAC	40 A max.
Power Factor	- At 230 VAC	0.94 min. (Active Power Factor Correction)
	- At 115 VAC	0.94 min. (Active Power Factor Correction)
Input Protection		T 10 A / 250 VAC (Internal Fuse in L & N)
Recommended Input Fuse		(The need of an external fuse has to be assessed in the final application.)

Output Specifications

Output Voltage Adjustment		±5% (By trim potentiometer) Output power must not exceed rated power!
Voltage Set Accuracy		±2% max.
Regulation	- Input Variation (Vmin - Vmax) - Load Variation (10 - 100%)	1% max. 1% max.
Ripple and Noise (20 MHz Bandwidth)	12 VDC model:	160 mVp-p max. (w/ 0.1 µF ceramic 47 µF KY)
	24 VDC model:	240 mVp-p max. (w/ 0.1 µF ceramic 47 µF KY)
	48 VDC model:	480 mVp-p max. (w/ 0.1 µF ceramic 47 µF KY)
Capacitive Load	12 VDC model:	5'000 µF max.
	24 VDC model:	2'500 µF max.
	48 VDC model:	1'250 µF max.
Minimum Load		1 % of Iout max. (Operation at lower load will not damage the converter, but it may not meet all specifications)
Temperature Coefficient		±0.06 %/K max. (-30°C - 0°C) ±0.03 %/K max. (0°C - 50°C)
Hold-up Time	- At 230 VAC	8 ms min.
	- At 115 VAC	8 ms min.
Start-up Time	- At 230 VAC	350 ms max.
	- At 115 VAC	350 ms max.
Short Circuit Protection		Continuous, Automatic recovery (Level 1, nom.) Latch (Level 2, instantaneous high current)
Output Current Limitation		113 - 161% of Iout max.
Overvoltage Protection		111 - 130% of Vout nom.
Transient Response	- Response Deviation	3% typ. / 5% max. (25% to 100% Load Step)
	- Response Time	2'000 µs typ. / 3'000 µs max. (25% to 100% Load Step)

Safety Specifications

Standards	- IT / Multimedia Equipment	EN 62368-1 IEC 62368-1 UL 62368-1
	- Certification Documents	www.tracopower.com/tci500-safety-cert

All specifications valid at 230 VAC, resistive full load and +25°C after warm-up time, unless otherwise stated.

Protection Class		Class I (Prepared): Connection to PE
	See application note:	www.tracopower.com/info/protection-class.pdf
Energy Source	- Output, acc. to 62368-1	ES1
Power Source	- Output, acc. to 62368-1	PS3
Pollution Degree		PD 2
Over Voltage Category		OVC II OVC III

EMC Specifications

EMI (Emissions)	- Conducted Emissions	EN 55032 class A (internal filter) EN 55032 class B (internal filter)
	- Radiated Emissions	EN 55032 class A (internal filter)
	- Harmonic Current Emissions	EN 61000-3-2, class A
		EN 55035 (Multimedia)
EMS (Immunity)	- Electrostatic Discharge	Air: EN 61000-4-2, ± 8 kV, perf. criteria A Contact: EN 61000-4-2, ± 4 kV, perf. criteria A
	- RF Electromagnetic Field	EN 61000-4-3, 3 V/m, perf. criteria A
	- EFT (Burst) / Surge	EN 61000-4-4, ± 1 kV, perf. criteria A
		L to L: EN 61000-4-5, ± 1 kV, perf. criteria A
		L to PE: EN 61000-4-5, ± 2 kV, perf. criteria A
	- Conducted RF Disturbances	EN 61000-4-6, 3 Vrms, perf. criteria A
	- PF Magnetic Field	Continuous: EN 61000-4-8, 1 A/m, perf. criteria A
	- Voltage Dips & Interruptions	230 VAC / 50 Hz: EN 61000-4-11 30%, 25 periods, perf. criteria A >95%, 250 periods, perf. criteria B
		115 VAC / 60 Hz: EN 61000-4-11 30%, 25 periods, perf. criteria A >95%, 250 periods, perf. criteria B
	EMC / Environmental	- Certification Documents

General Specifications

Relative Humidity		95% max. (non condensing)
Temperature Ranges	- Operating Temperature	-30°C to +70°C
	- Storage Temperature	-30°C to +85°C
Power Derating	- High Temperature	2.0 %/K above 50°C
	- Low Input Voltage	3.0 %/V below 100 VAC
	See application note:	www.tracopower.com/tci500-cc
Over Temperature Protection Switch Off	- Protection Mode	115°C min. / 120°C typ. / 125°C max. (Automatic recovery at 90°C typ.)
	- Measurement Point	Internal IC temperature
Cooling System		Forced air cooling (with internal fan)
Fan Power Source	- Characteristic	Variable fan speed (load regulated)
	- Output Voltage	12 VDC
	- Output Current	209 mA max. (Fan output voltage: 10.2 - 13.3 VDC when main output load > 3% and fan current > 0.1 mA)
Standby Power Source	- Output Voltage	5 VDC
	- Output Current	1 A max.
Remote Control	- Voltage Controlled Remote (passive = on)	On: 3.3 to 5 VDC or open circuit Off: 0 to 1.0 VDC or short circuit
		Refers to '+Remote' and '-Remote' Pin
	- Off Idle Input Current	92 mA typ. / 155 mA max.
	- Remote Pin Input Current	8 to 30 mA
Altitude During Operation		4'000 m max. (for OVC III) 5'000 m max. (for OVC II)
Regulator Topology		LCC Converter

All specifications valid at 230 VAC, resistive full load and +25°C after warm-up time, unless otherwise stated.

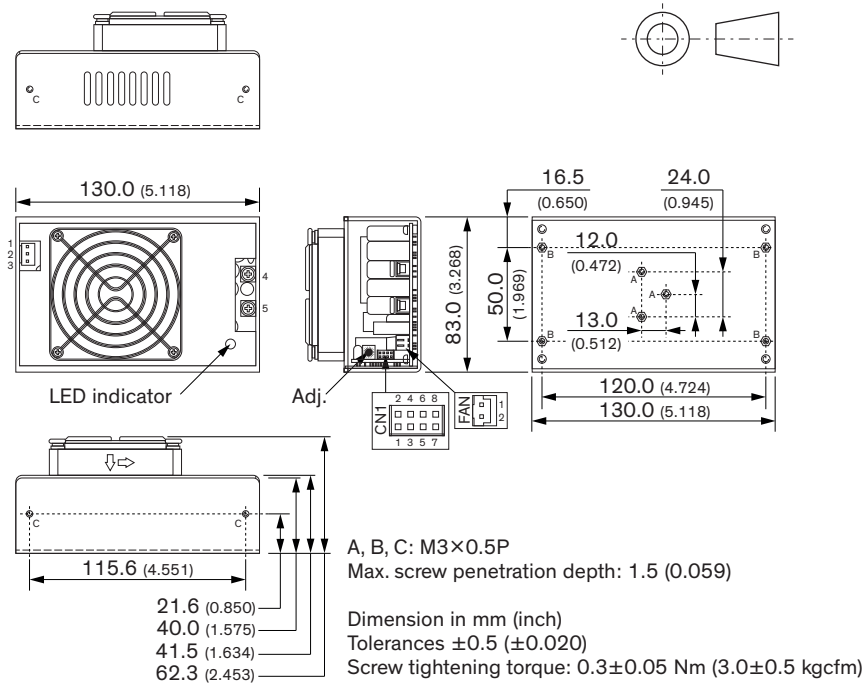
Switching Frequency		58 - 76 kHz (PFM) 67 kHz typ. (PFM)
Insulation System		Reinforced Insulation
Working Voltage (rated)		277 VAC
Isolation Test Voltage	- Input to Output, 60 s - Input to Case or PE, 60 s - Output to Case or PE, 60 s	4'250 VAC (6'000 VDC) 2'830 VAC (4'000 VDC) 1'500 VAC (2'121 VDC)
Isolation Resistance	- Input to Output, 500 VDC	100 MΩ min.
Leakage Current (at 264 VAC / 63 Hz)	- Earth Leakage Current	1500 μA max.
Distance Through Isolation		7.1 mm
Reliability	- Calculated MTBF	160'000 h (MIL-HDBK-217F, ground benign)
Washing Process		Not allowed
Environment	- Vibration - Mechanical Shock	IEC 60068-2-6 2 g, 3 axis, 60 min, 10-500 Hz, 10 min/cycle IEC 60068-2-27 50 g, 3 axis, half sine, 11 ms
Housing Material		Aluminum
Potting Material		Silicone (UL 94 V-0 rated) (the converter is partly potted on the bottom)
Housing Type		Metal Case
Mounting Type		Chassis Mount
Connection Type		Screw Terminal, Pin Connector
Weight		710 g
Power OK Signal	- Power OK - Power Off	Voltage source output High level Low level (Refers to 'PG' and 'GND' Pin)
Status Indicator		Indicated by green LED
Sense Function		3% max. of Vout nom.
Environmental Compliance	- REACH Declaration - RoHS Declaration - SCIP Reference Number	www.tracopower.com/info/reach-declaration.pdf REACH SVHC list compliant REACH Annex XVII compliant www.tracopower.com/info/rohs-declaration.pdf Exemptions: 7(a), 7(c)-I (RoHS exemptions refer to the component concentration only, not to the overall concentration in the product (O5A rule).) 1dab86cb-c6c6-4c4f-9524-9695b51a1299

Additional Information

Supporting Documents	www.tracopower.com/overview/tci500
Frequently Asked Questions	www.tracopower.com/glossary-faq
Glossary	www.tracopower.com/info/glossary.pdf

All specifications valid at 230 VAC, resistive full load and +25°C after warm-up time, unless otherwise stated.

Outline Dimensions



Input	
Pin	Function
1	AC (N)
2	No Pin
3	AC (L)

Output	
Pin	Function
4	+Vout
5	-Vout**

Auxiliary	
CN1	
Pin	Function
1	-Standby**
2	+Standby
3	GND
4	Power Good
5	-Remote**
6	+Remote
7	-Sense**
8	+Sense

FAN	
Pin	Function
1	+12V
2	GND

Case	
(no dedicated connector)	
Pos	Function
A	For mounting on chassis only
B	For mounting on PCB or chassis, and connecting PE
C	For connecting PE only

**Internally connected with GND

Input: JST series
mates with JST crimp terminal: SVH-41T-P1.1 or Equivalent
and terminal housing: VHR-3N or Equivalent

Output: Screw Terminal
M3.5 Pozzi Pan Head Screw
max. torque: 0.9 Nm (9.1 kgcfm)

Auxiliary: JST series
mates with JST crimp terminal: SPHD-001T-P0.5 or Equivalent
and terminal housing: PHDR-08VS or Equivalent

FAN: JST series
mates with JST crimp terminal: SXH-002T-P0.6 or Equivalent
and terminal housing: XHP-2 or Equivalent