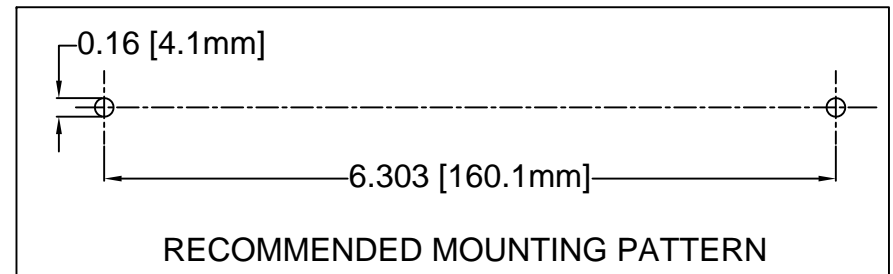
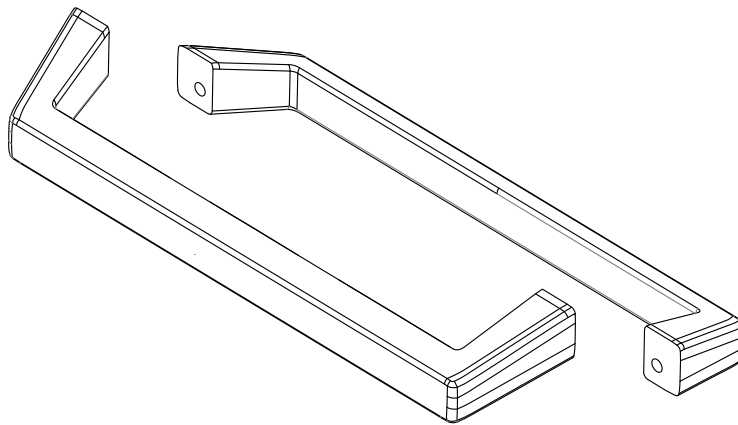
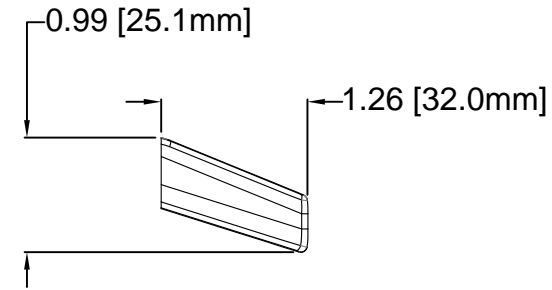
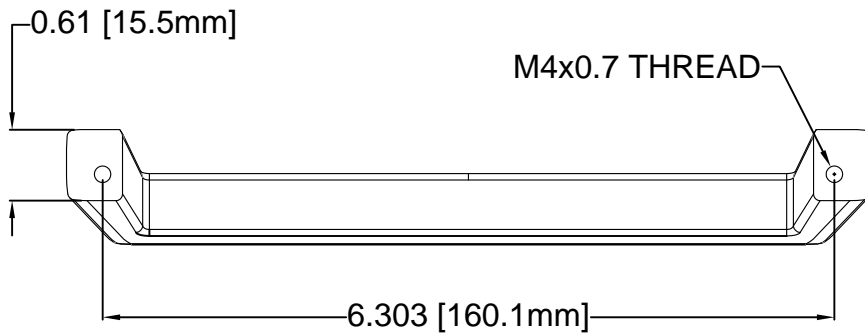
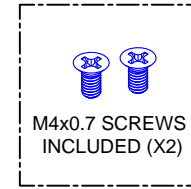
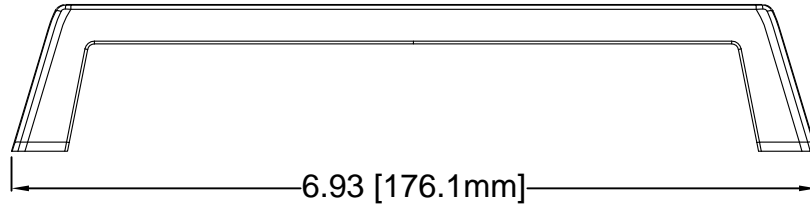


REV.	DESCRIPTION	DATE	APPROVED
A	Engineering Release	07/17/14	J. C.
B	Engineering Update w/o Changes	05/21/16	J. C.



NOTES:
 2. MOUNTING HARDWARE SHIPPED UNASSEMBLED
 1. MATERIAL: ALUMINUM

STANDARD TOLERANCE (UNLESS OTHERWISE SPECIFIED)		BIVAR [®] 4 THOMAS, IRVINE, CA. 92618 TEL: (949) 951-8808 FAX: (949) 951-3974	
DECIMALS	ANGULAR		
.X ± .1	X° ± 1°	TITLE: 4U SUBRACK HANDLE, RECTANGULAR	
.XX ± .02			
.XXX ± .010		PART NO: SRH-4RUT	
DESIGNED: A. Wright	DATE: 07/17/14	REVISION: B	
CHECKED: B. Oliver	DATE: 07/17/14		
CAGE CODE : 32559		SHEET # 1 OF 1	
CAD GENERATED DOCUMENT. DO NOT MEASURE DRAWING.			