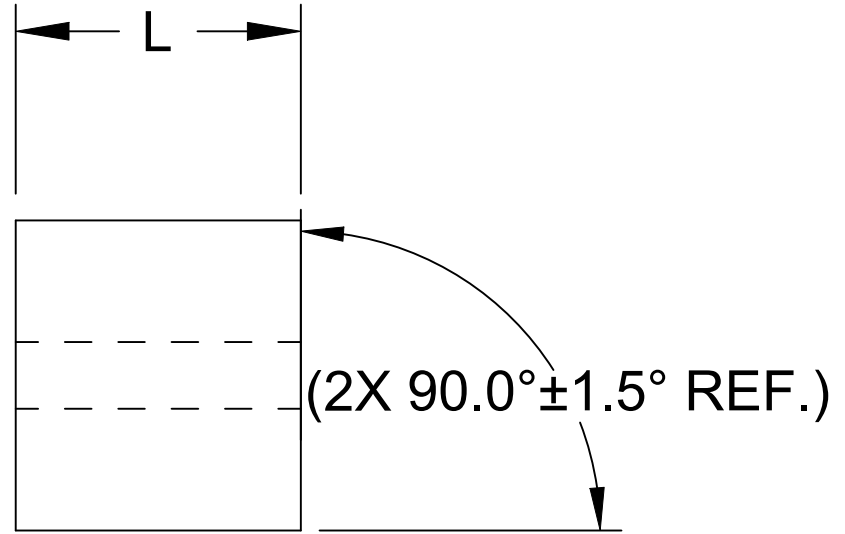
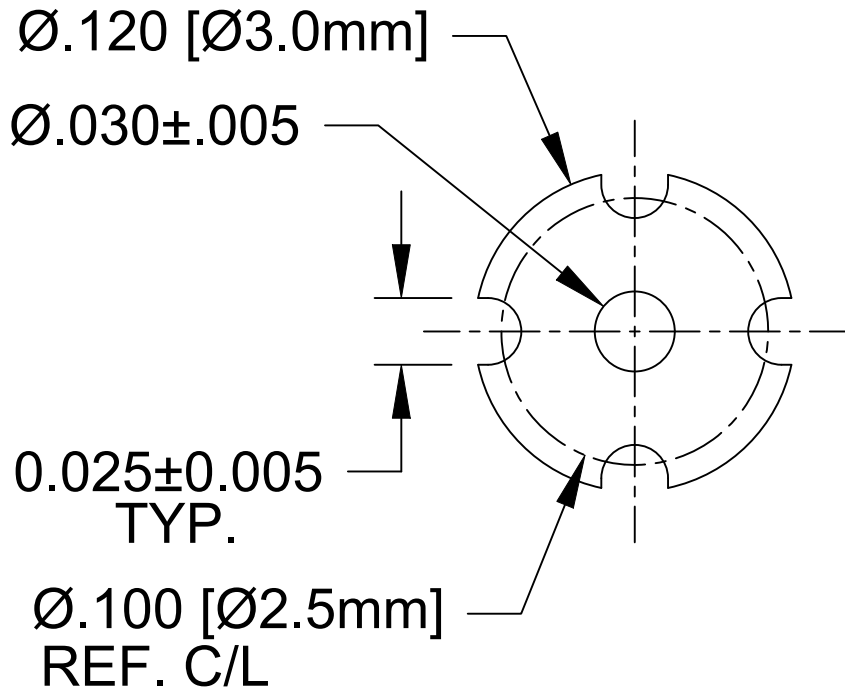


REV.	DESCRIPTION	DATE	APPROVED
E	Engineering Update w/o Changes	02/26/04	M. C.
F	Material Update	10/13/08	T.Y.
G	ECO-1258: Material Compliance Update	05/29/24	D.A.
H	ECO-1341: Added Angle Tolerance	07/25/25	A.V.
H1	ECO-1380: Updated Drawing Title	04/03/26	A.V.



CUSTOMER USE DRAWING

3. TOLERANCE "L" DIMENSION:
 0.030 - 0.500 (1.0 - 12.7mm)±0.005(0.1mm)
 0.505 - 0.750 (12.8 - 19.1mm)±0.008(0.2mm)
 0.755 - 1.250 (19.2 - 31.8mm)±0.015(0.4mm)
2. MATERIAL: PVC ALLOY, 94V-0 COMPLIANT, BLACK.
1. GENERAL SPECIFICATIONS: BIVAR EXTRUDED PRODUCT SPECIFICATION BV00-E105.

STANDARD TOLERANCE (UNLESS OTHERWISE SPECIFIED)		 4 THOMAS, IRVINE, CA. 92618 TEL: (949) 951-8808 FAX: (949) 951-3974	
DECIMALS	ANGULAR		
.X ± .1	X° ± 1°	 TITLE: EXTRUDED, SELF-RETAINING LED MOUNT	
.XX ± .01			
.XXX ± .005			
DESIGNED: S. IRVING	DATE: 2/3/1998	PART NO: ELM 7-XXX	REVISION: H1
REVISED: K. BARON	DATE: 4/3/2026	SHEET SIZE A	CAGE CODE: 32559
CHECKED: R. PEREYRA	DATE: 4/3/2026	SCALE: 2:1	SHEET # 1 OF 1
CAD GENERATED DOCUMENT, DO NOT MEASURE DRAWING			