

**Devices Connected/Referenced**

ADuCM355

Precision Analog Microcontroller with Chemical Sensor Interface

## Electrochemical Gas Measurement System with Sensor Diagnostics

### EVALUATION AND DESIGN SUPPORT

#### Circuit Evaluation Boards

- [Electrochemical Gas Sensor Board \(EVAL-CN0429-EBZ\)](#)
- [Arduino Shield Interface Board \(EVAL-M355-ARDZ-INT\)](#)
- [ADICUP3029 Arduino Form Factor Ultra Low Power ARM Cortex-M3 Development Platform \(EVAL-ADICUP3029\)](#)

#### Design and Integration Files

- [Schematics, Layout Files, Bill of Materials, Software](#)

### CIRCUIT FUNCTION AND BENEFITS

Gas detection instruments are used in a wide range of applications ranging from home air quality measurement devices to industrial solutions for detecting toxic gases. Many of these instruments use electrochemical gas sensors. This sensor technology requires specialized front-end circuitry for biasing and measurement.

By utilizing built-in diagnostics features (such as impedance spectroscopy or bias voltage pulsing and ramping) it is possible to inspect sensor health, compensate for accuracy drift due to aging or temperature, and estimate the remaining lifetime of the sensor right at the edge of the sensor network without user intervention. This functionality allows smart, accurate sensor replacement at the individual edge nodes. An integrated, ultra low power microcontroller directly biases the electrochemical gas sensor and runs onboard diagnostic algorithms.

The circuit shown in Figure 1 shows how an electrochemical gas sensor is connected to the potentiostat circuit and how it is biased and measured. Common 2-lead, 3-lead, and 4-lead electrochemical gas sensors can be used interchangeably. The integration of this signal chain dramatically reduces cost, size, complexity, and power consumption at the sensor node.

#### Rev. 0

Circuits from the Lab reference designs from Analog Devices have been designed and built by Analog Devices engineers. Standard engineering practices have been employed in the design and construction of each circuit, and their function and performance have been tested and verified in a lab environment at room temperature. However, you are solely responsible for testing the circuit and determining its suitability and applicability for your use and application. Accordingly, in no event shall Analog Devices be liable for direct, indirect, special, incidental, consequential or punitive damages due to any cause whatsoever connected to the use of any Circuits from the Lab circuits. (Continued on last page)

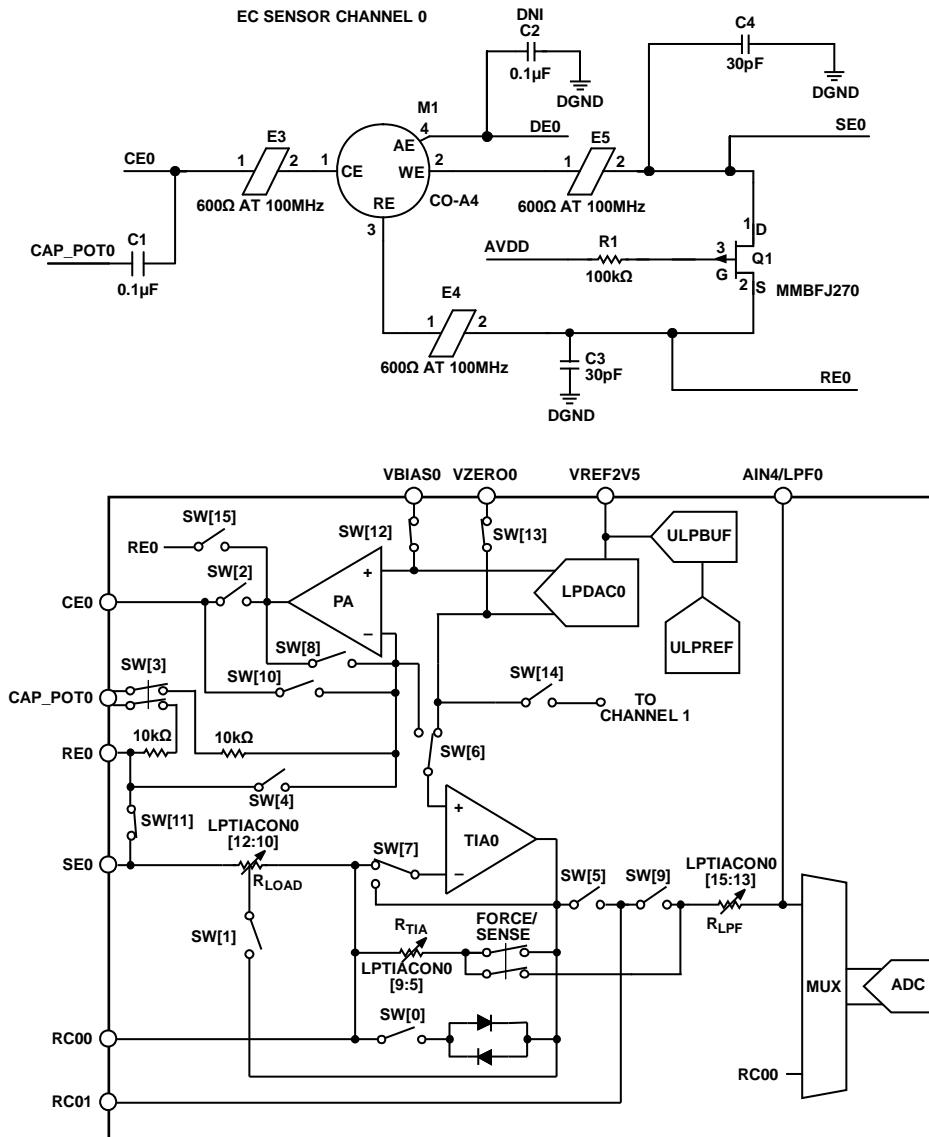


Figure 1. Simplified Circuit Block Diagram

## CIRCUIT DESCRIPTION

### Fundamentals of Electrochemical Gas Sensors

The fundamental principle of electrochemical gas sensing is measuring the current generated due to oxidation or reduction at an electrode in response to a target gas. Most common sensors have two or three electrodes. Some sensors utilize an additional fourth electrode. In 3-electrode configuration, the electrodes are referred to as a working electrode (WE), also known as sensing electrode (SE), a reference electrode (RE), and a counter electrode (CE). Figure 2 shows simplified diagram of such an electrochemical cell.

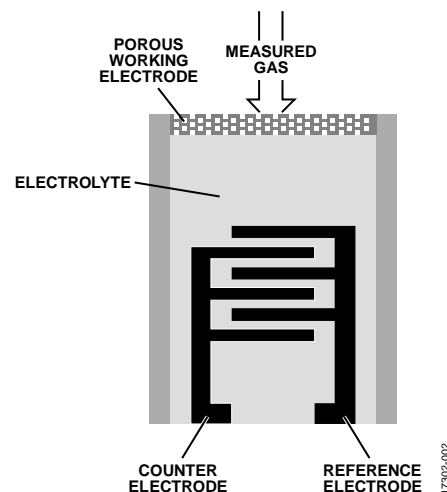


Figure 2. Electrochemical Gas Sensor—Simplified

The target gas enters the sensor chamber through the porous working electrode and diffuses into the electrolyte (most commonly acid), where it is either oxidized or reduced. Electric current generated by this reaction is then sensed and converted to a corresponding voltage level by the external potentiostat circuit. A continuous or pulsed bias voltage is often required to be applied across sensor electrodes to ensure optimal performance. In the case of a 3-electrode sensor, the bias voltage is applied between the RE and WE. An equal but opposite reaction to the one occurring between the RE and WE occurs at the CE. If reduction occurs at the WE, oxidation occurs at the CE. Further information about operation of the potentiostat circuit is available in the [ADuCM355 Hardware Reference Manual](#).

### Electrochemical Gas Sensor Connections to ADuCM355

The data sheet for the gas sensor specifies a bias voltage required for normal electrochemical behavior of the sensor. The bias voltage is the voltage difference between the RE and the SE/WE. This differential voltage is set by the outputs of a low power, digital-to-analog converter (LPDACx). The LPDACx has two outputs, an output with 12-bit resolution (VBIASx) and an output with 6-bit resolution (VZEROx). The VBIASx output of the LPDACx is internally connected to the noninverting terminal of the power amplifier (PA). Externally, VBIASx must be connected to the AGND pin via a 100 nF capacitor. The output of the PA amplifier connects directly to the sensor's CE. The feedback to the inverting terminal of the PA amplifier is from the RE pin of the sensor; therefore, the VBIASx voltage determines the RE pin voltage.

The VZEROx output of the LPDACx is internally connected to the noninverting terminal of the low power, transimpedance amplifier, LPTIAx. Do not use this pin as a voltage source for an external circuit. It is recommended to connect this pin to the AGND pin.

The electrochemical gas sensor itself is only connected to the [ADuCM355](#) via the REx, CEx, and SEx terminals, respectively, allowing the optional fourth terminal to be used for the diagnostics electrode (DEx), as shown in Figure 1.

The effective sensor bias voltage is obtained using following equation:

$$V_{BIAS\_EFF} = V_{BIAS} - V_{ZERO}$$

The VZERO voltage is recommended to be set to 1100 mV, and the VBIAS voltage is then to be set with respect to the sensor bias voltage value from the sensor data sheet.

Depending on the sensor type, bias voltage may also be negative. The following equations explain how to configure the DAC for both positive and negative bias voltages.

When the required bias voltage is positive, (12-bit output  $\geq$  6-bit output),

$$V_{BIAS} = 0.2 \text{ V} + (LPDACDAT[11:0] \times 0.54 \text{ mV}) + 0.54 \text{ mV}$$

$$V_{ZERO} = 0.2 \text{ V} + (LPDACDAT[17:12] \times 34.38 \text{ mV})$$

When the required bias voltage is negative (12-bit output < 6-bit output),

$$V_{BIAS} = 0.2 \text{ V} + (LPDACDAT[11:0] \times 0.54 \text{ mV})$$

$$V_{ZERO} = 0.2 \text{ V} + (LPDACDAT[17:12] \times 34.38 \text{ mV})$$

where:

LPDACDAT is the low-power DAC data-out control register.

0.54 mV is approximately 1 LSB of the 12-bit DAC.

34.38 mV is approximately 1 LSB of the 6-bit DAC.

The sensing/working electrode (WE) of the sensor is connected to the LPTIAx via the inverting input pin SEx. The LPTIAx has a programmable load resistor ( $R_{LOAD}$ ) and programmable gain resistor ( $R_{TIA}$ ). The current flowing in/out of the sensors SE electrode reflects the target gas in the atmosphere around the sensor. The sensor datasheet reflects this in current/ppm. The LPTIAx amplifier converts the current to a voltage that is then buffered and measured via the analog-to-digital converter (ADC). Select the  $R_{TIA}$  resistor value so that it maximizes the ADC input range of  $\pm 900$  mV. The  $R_{TIA}$  value is calculated using following equation:

$$R_{TIA} = \frac{0.9 \text{ V}}{\text{Sensitivity} \times \text{Max\_Range}}$$

where:

0.9 V is the ADC input range.

Sensitivity is defined as nA/ppm.

Max\_Range is the maximum range of the sensor in ppm.

The microcontroller can calculate the current flowing in/out of the SEx pin and determine the ppm level of the target gas.

For more detailed information about the equations used, see the [ADuCM355 Hardware Reference Manual](#).

### ***Sensor Health Diagnostics and Life Expectancy***

The lifespan of an electrochemical gas sensor varies between manufacturers as well as between different target gases. Information about expected lifetime can be found in sensor manufacturer data sheets. The actual lifespan, however, varies strongly depending on storage and operating conditions.

The lifetime of an electrochemical gas sensor and the regular need for calibration are the most challenging aspects of this type of sensor. Therefore, it is desirable to have the ability to monitor sensor's health directly in the instrument.

The built-in waveform generator and discrete Fourier transform (DFT) block of the [ADuCM355](#) enable impedance spectroscopy measurement by applying an ac signal sweep to the counter electrode. This measurement indicates the quality of charge transfer between electrodes, effectively detecting aging of the sensor's electrolyte. Laboratory tests show good correlation between impedance and sensitivity of the sensor.

Other methods of detecting sensor health include pulse test and ramp test. For these tests, a voltage pulse or ramp is applied on top of the bias voltage to test the sensor responsivity and charge transfer, respectively.

All of these measurements in conjunction with algorithms running on the [ADuCM355](#) contribute to improving the accuracy, performance, and lifetime of the electrochemical gas sensor. Enabling this level of smart diagnostics and prognostics requires that a large set of sensors be characterized by tests such as accelerated aging. Contact the sensor manufacturer for this type of data.

### ***Temperature and Humidity Compensation***

An external temperature and humidity sensor is provided on the sensor board. It is connected to the [ADuCM355](#) via an I<sup>2</sup>C interface. The performances of most electrochemical sensors varies with both temperature and humidity, and therefore compensation for these influences is required.

### **COMMON VARIATIONS**

The circuit was tested with 3-lead electrochemical gas sensors (CE, RE, WE). However, it can also support 4-lead (CE, RE, WE1, WE2) and 2-lead sensors (CE and WE).

Four-lead sensors use several electrode configurations. The fourth electrode can be used as an additional diagnostics electrode (DE).

Some sensors can detect two gases, in which case the fourth electrode is configured as a working electrode (for example, a combined CO and H<sub>2</sub>S sensor).

## CIRCUIT EVALUATION AND TEST

This circuit uses the [EVAL-CN0429-EBZ](#) gas sensor board, the [EVAL-M355-ARDZ-INT](#) shield board, and the [EVAL-ADICUP3029](#) Arduino-compatible platform board. A user guide for this platform is available at [www.analog.com/EVAL-ADICUP3029](http://www.analog.com/EVAL-ADICUP3029).

### Equipment required

The following equipment is needed:

- PC with a USB port and Windows® 7 (32-bit) or higher
- [EVAL-ADICUP3029](#) Arduino-compatible platform loaded with CN-0429 firmware
- [EVAL-M355-ARDZ-INT](#) shield board
- [EVAL-CN0429-EBZ](#) gas sensor board
- Suitable electrochemical gas sensor (such as the Citytech 4CF+ CiTiceL CO sensor or Alphasense CO-A4 sensor),
- USB type A to USB micro cable
- Serial terminal software (PuTTY, TeraTerm or similar)
- Carbon monoxide alarm tester spray (optional, for CO sensors only) or other source of target gas

### System Setup

The measurement system consists of a motherboard ([EVAL-ADICUP3029](#)), an interposer board, and up to four gas sensors daughter boards (see Figure 3). This four gases configuration is widely used in both toxic gas and air quality applications.

Sensor data acquired by the system is sent to a PC via a virtual COM port interface, where they can be displayed and processed.

To set up the circuit for evaluation, take the following steps:

1. Plug the four [EVAL-CN0429-EBZ](#) boards into the [EVAL-M355-ARDZ-INT](#) shield board, followed by the [EVAL-ADICUP3029](#) circuit board.
2. Ensure that the switch settings are correct on both the [EVAL-M355-ARDZ-INT](#) and [EVAL-CN0429-EBZ](#) evaluation boards.
3. Connect the [EVAL-ADICUP3029](#) virtual COM USB port to the PC.
4. Set up the serial terminal software to match the setting of the [CN-0429](#) firmware and select the correct virtual COM port.
5. Press the reset button on the [EVAL-ADICUP3029](#) board, and the software displays the steps of gas measurements.

The [EVAL-CN0429-EBZ](#) boards ship with dedicated firmware, but provisions are available to program new firmware. The [EVAL-CN0429-EBZ](#) boards can be programmed over USB by the debugger section of the [EVAL-ADICUP3029](#). However, this requires cutting three traces and using the included cable to connect to [EVAL-M355-ARDZ-INT](#). Other options are to use an additional [EVAL-ADICUP3029](#), or to use an external debugger. See the [CN-0429 User Guide](#) for detailed instructions.

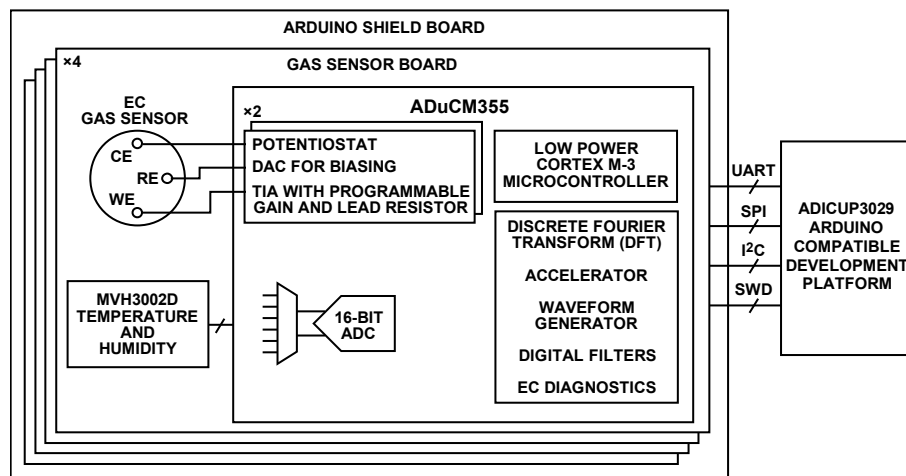


Figure 3. Simplified Circuit Block Diagram

17302-003

**Communications Interface**

The example code for the [EVAL-ADICUP3029](#) provides a simple user interface by means of a virtual COM port between the [EVAL-ADICUP3029](#) microcontroller and the PC. The user interface can be accessed using a serial port terminal application like TeraTerm. This interface enables the user to configure the sensor and read the sensor data. Further information about the operation of this user interface can be found in the [CN-0429 User Guide](#).



Figure 4. System Setup—[EVAL-ADICUP3029](#) with Four Gas Sensor Boards Connected

The 14-pin connector on the sensor board provides power, as well as SPI, I<sup>2</sup>C, and UART communication interfaces. Any of these interfaces can be used to communicate with the sensor board if the user decides not to use the [EVAL-M355-ARDZ-INT](#). Which interface is used depends on user preferences and the firmware loaded on the [ADuCM355](#). If achieving the lowest possible supply current is critical, it is recommended to use the SPI interface.

**Test**

The system performance was evaluated by measuring the concentration of CO gas in a calibrated gas chamber. A comparison of the measurements of two different CO sensors is shown in Figure 5.

Other, simpler test methods can be used to quickly verify basic circuit functionality. Many sensors show some response when breathed on. Alternatively, a nontoxic carbon monoxide alarm tester spray can be used to excite the sensor.

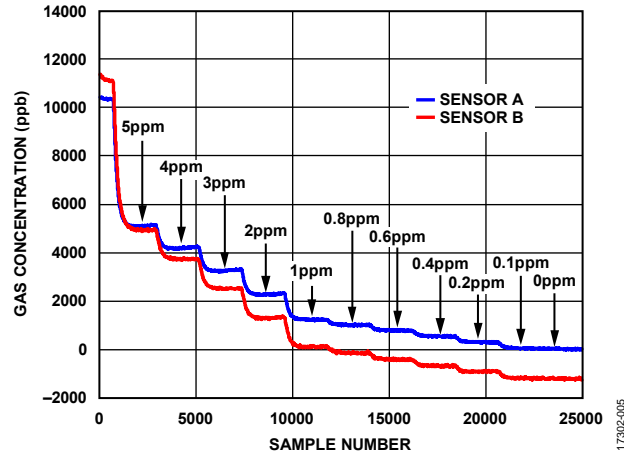


Figure 5. Test Results Comparing Two CO Sensors

**LEARN MORE**

CN-0429 Design Support Package:  
[www.analog.com/CN0429-DesignSupport](http://www.analog.com/CN0429-DesignSupport)

**Data Sheets and Evaluation Boards**

CN-0429 Circuit Evaluation Board (EVAL-CN0429-EBZ)  
[ADuCM355 Data Sheet](#)

**REVISION HISTORY**

11/2018—Revision 0: Initial Version

I<sup>2</sup>C refers to a communications protocol originally developed by Philips Semiconductors (now NXP Semiconductors).

(Continued from first page) Circuits from the Lab reference designs are intended only for use with Analog Devices products and are the intellectual property of Analog Devices or its licensors. While you may use the Circuits from the Lab reference designs in the design of your product, no other license is granted by implication or otherwise under any patents or other intellectual property by application or use of the Circuits from the Lab reference designs. Information furnished by Analog Devices is believed to be accurate and reliable. However, Circuits from the Lab reference designs are supplied "as is" and without warranties of any kind, express, implied, or statutory including, but not limited to, any implied warranty of merchantability, noninfringement or fitness for a particular purpose and no responsibility is assumed by Analog Devices for their use, nor for any infringements of patents or other rights of third parties that may result from their use. Analog Devices reserves the right to change any Circuits from the Lab reference designs at any time without notice but is under no obligation to do so.

©2019 Analog Devices, Inc. All rights reserved. Trademarks and registered trademarks are the property of their respective owners.  
CN17302-0-3/19(0)



# Mouser Electronics

Authorized Distributor

Click to View Pricing, Inventory, Delivery & Lifecycle Information:

[Analog Devices Inc.:](#)

[EVAL-CN0429-EBZ](#)