

**PI3HDX612**

**6Gbps HDMI 2.0 1:2 Signal Duplicator**

**Description**

The DIODES PI3HDX612 active-drive Signal Duplicator solution is targeted for high-resolution video networks that are based on HDMI™ 2.0 standards signal processing.

The PI3HDX612 is an active single-channel to two-channel Signal Duplicator. The device drives differential signals to multiple video display units. Depending on the mode select pin, the PI-3HDX612 provides controllable equalizer, flat gain and output swing linearity that can be manipulated through pin control or I<sup>2</sup>C control.

The maximum HDMI™ data rate of 6Gbps produces a 4K@60Hz resolution or 2K@144Hz, required for 4K HDTV, PC graphics products and other peripheral device. For PC graphics application, the device sits at the driver's side and fans out differential signals to multiple display units including PC LCD monitors, projectors, and TVs. The CTLE equalizers are implemented at the inputs of the ReDriver to reduce the ISI jitters and compensate channel loss. The PI3HDX612 ensures the transmittal of high bandwidth video streams from video sources to the end-display units.

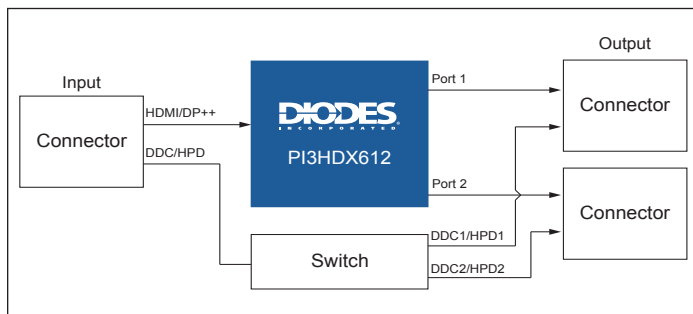
**Application(s)**

- Display Peripheral Boxes
- Digital Signage Displays
- Multi-Screen Splicing

**Features**

- 1-to-2 Active Signal Duplicator for 4-Lane HDMI 2.0 Operation
- Data Rate Supports Up to 6Gbps and Supports 4K2K Pixel Resolution
- Quad-Level Equalizer Gain Value Selection Controlled By Pin Strap or I<sup>2</sup>C Mode Programming
- Quad-Level Flat Gain and Output Swing Linearity Selection Controlled By Pin Strap or I<sup>2</sup>C Mode Programming
- ESD Protection on I/O Pins: 2KV HBM
- Single Power Supply: 3.3V
- Temperature Support: -40°C to +70°C
- Totally Lead-Free & Fully RoHS Compliant (Notes 1 & 2)
- Halogen and Antimony Free. "Green" Device (Note 3)
- For automotive applications requiring specific change control (i.e. parts qualified to AEC-Q100/101/104/200, PPAP capable, and manufactured in IATF 16949 certified facilities), please [contact us](#) or your local Diodes representative.  
<https://www.diodes.com/quality/product-definitions/>
- Packaging (Pb-free & Green):
  - 40-pin TQFN, 3 x 6 mm (0.4 mm pitch) (ZLD)

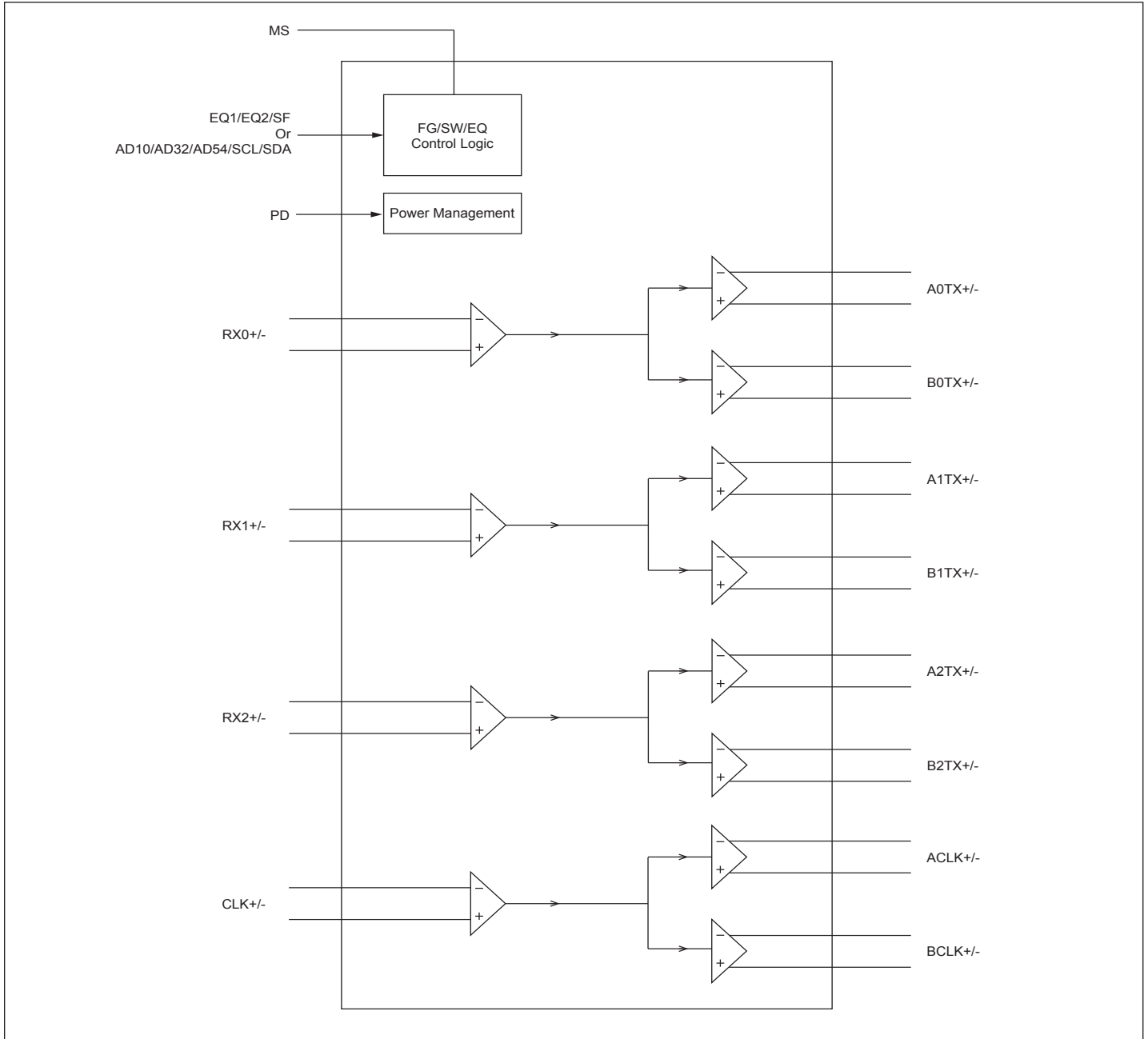
**Application Diagram**



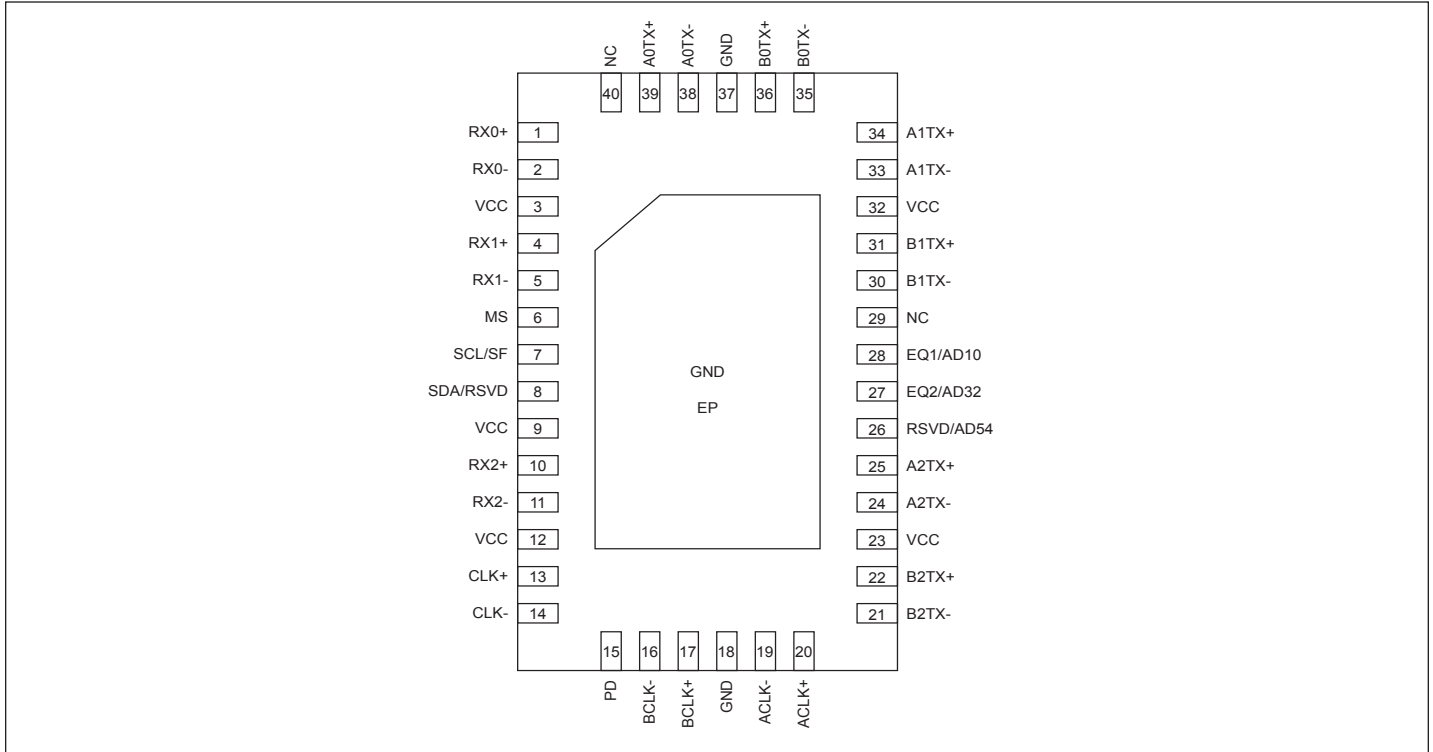
**Notes:**

1. No purposely added lead. Fully EU Directive 2002/95/EC (RoHS), 2011/65/EU (RoHS 2) & 2015/863/EU (RoHS 3) compliant.
2. See <https://www.diodes.com/quality/lead-free/> for more information about Diodes Incorporated's definitions of Halogen- and Antimony-free, "Green" and Lead-free.
3. Halogen- and Antimony-free "Green" products are defined as those which contain <900ppm bromine, <900ppm chlorine (<1500ppm total Br + Cl) and <1000ppm antimony compounds.

**Block Diagram**



**Pin Configuration (Top View)**



## Pin Configuration (Top View)

Pin #	Pin Name	Type	Description
<b>Data Signals</b>			
1, 2	RX0+, RX0-	I	CML inputs for channel 0 with internal 50Ω to VCC or HIZ.
39, 38 36, 35	A0TX+, A0TX- B0TX+, B0TX-	O	CML outputs for channel A0/B0 with internal 50Ω pullup or HIZ.
4, 5	RX1+, RX1-	I	CML inputs for channel 1 with internal 50Ω to VCC or HIZ.
34, 33 31, 30	A1TX+, A1TX- B1TX+, B1TX-	O	CML outputs for channel A1/B1 with internal 50Ω pullup or HIZ.
10, 11	RX2+, RX2-	I	CML inputs for channel 2 with internal 50Ω to VCC or HIZ.
25, 24 22, 21	A2TX+, A2TX- B2TX+, B2TX-	O	CML outputs for channel A2/B2 with internal 50Ω pullup or HIZ.
13, 14	CLK+, CLK-	I	CML inputs for CLK channel with internal 50Ω to VCC or HIZ.
20, 19 17, 16	ACLK+, ACLK- BCLK+, BCLK-	O	CML outputs for CLKA/B channel with internal 50Ω pullup or HIZ.
<b>Control Pins</b>			
28, 27, 26	EQ1, EQ2, RSVD	I	4-Level input pins with internal 100KΩ pullup and 200KΩ pulldown resistor. Sets the amount of equalizer boost on A & B channel. Reserved pin must tie to ground.
	AD10, AD32, AD54	I	4-Level input pins with internal 100KΩ pullup and 200KΩ pulldown resistor. Sets the I <sup>2</sup> C slave address.
7, 8	SF, RSVD	I	4-Level input pins with internal 100KΩ pullup and 200KΩ pulldown resistor. Sets the output swing and flat gain level on A & B channel. Reserved pin must tie to ground.
	SCL, SDA	I	I <sup>2</sup> C clock input and data input.
6	MS	I	Input with internal 300KΩ pullup resistor. Pin mode enable pin Tie High = Pin mode Tie Low = Register access I <sup>2</sup> C slave mode
29, 40	NC		Not Connected
15	PD	I	Input with internal 300KΩ pullup resistor. When High, the device is put in Power Down Mode. When Low, the device is Enable and in Normal Operation.
<b>Power Pins</b>			
3, 9, 12, 23, 32	VCC	PWR	3.3V supply voltage.
18, 37, EP	GND	PWR	Exposed pad. Supply ground.

## Functional Description & Circuit Block Description

### Power Enable Function

When PD is set to high, the IC goes into power down mode, both input and output termination set to high impedance. Individual channel enabling is done through the I<sup>2</sup>C register programming.

### EQ Setting in Pin Mode and I<sup>2</sup>C Mode

Table 1. EQ1/EQ2 are the Selection Pins for the Equalization Setting

Equalizer Setting (dB)					
EQ1	EQ2	I <sup>2</sup> C EQ<2:0>	@1.25GHz	@1.7GHz	@3GHz
0	0	000	0.5	0.9	2.5
0	F	001	0.6	1.1	3.1
R	0	010	2.0	2.5	4.1
R	F	011	2.2	2.9	4.9
F	0	100	3.1	3.8	5.9
F	F	101	3.4	4.2	6.7
1	0	110	4.3	5.1	7.7
1	F	111	4.8	5.8	8.9

### Swing and Flat Gain Setting

Table 2. Swing and Flat Gain Setting for SF

SF	Swing (mVp-p)	Flat Gain (dB)
0	1000	-3.5
R	1000	-0.5
F	1200	-3.5
1	1200	-0.5

Table 3. Swing Settings in I<sup>2</sup>C Mode

SW1	SW0	Swing (mVp-p)
0	0	800
0	1	1000 (default)
1	0	1100
1	1	1200

Table 4. Flat Gain Setting in I<sup>2</sup>C Mode

FG1	FG0	Flat Gain (dB)
0	0	-3.5
0	1	-2
1	0	-0.5 (default)
1	1	1

**Table 5. I<sup>2</sup>C Address Settings**

AD54	AD5	AD4
0	0	0
R	0	1
F	1	0
1	1	1

AD32	AD3	AD2
0	0	0
R	0	1
F	1	0
1	1	1

AD10	AD1	AD0
0	0	0
R	0	1
F	1	0
1	1	1

**PI3HDX612**

## I<sup>2</sup>C Programming

Address Assignment							
A6	A5	A4	A3	A2	A1	A0	R/W
1	AD5	AD4	AD3	AD2	AD1	AD0	1=R, 0=W

BYTE 0					
Bit	Type	Power up Condition	Field	Control Affected	Comment
7	R	0		Reserved	
6	R	0		Reserved	
5	R	1		Reserved	
4	R	1		Reserved	
3	R	0		Rev. ID = 0x0	
2	R	0			
1	R	0			
0	R	0			

BYTE 1					
Bit	Type	Power up Condition	Field	Control Affected	Comment
7	R	0		Reserved	Reserved
6	R	0		Reserved	
5	R	0		Reserved	
4	R	0		Reserved	
3	R	0		Reserved	
2	R	0		Reserved	
1	R	0		Reserved	
0	R	0		Reserved	

**PI3HDX612**

BYTE 2					
Bit	Type	Power up Condition	Field	Control Affected	Comment
7	R/W	0		Channel 3 Power down	1 = Power down
6	R/W	0		Channel 2 Power down	
5	R/W	0		Channel 1 Power down	
4	R/W	0		Channel 0 Power down	
3	R/W	1		Reserved	
2	R/W	1		Reserved	
1	R/W	0		Reserved	
0	R/W	1		Reserved	

BYTE 3					
Bit	Type	Power up Condition	Field	Control Affected	Comment
7	R/W	0	Channel 0 configuration	Reserved	Equalizer
6	R/W	0		EQ2	
5	R/W	0		EQ1	
4	R/W	0		EQ0	Flat Gain
3	R/W	1		FG1	
2	R/W	0		FG0	Swing
1	R/W	0		SW1	
0	R/W	1		SW0	

BYTE 4					
Bit	Type	Power up Condition	Field	Control Affected	Comment
7	R/W	0	Channel 1 configuration	Reserved	Equalizer
6	R/W	0		EQ2	
5	R/W	0		EQ1	
4	R/W	0		EQ0	Flat Gain
3	R/W	1		FG1	
2	R/W	0		FG0	Swing
1	R/W	0		SW1	
0	R/W	1		SW0	



**PI3HDX612**

BYTE 5					
Bit	Type	Power up Condition	Field	Control Affected	Comment
7	R/W	0	Channel 2 configuration	Reserved	Equalizer
6	R/W	0		EQ2	
5	R/W	0		EQ1	
4	R/W	0		EQ0	
3	R/W	1		FG1	Flat Gain
2	R/W	0		FG0	
1	R/W	0		SW1	Swing
0	R/W	1		SW0	

BYTE 6					
Bit	Type	Power up Condition	Field	Control Affected	Comment
7	R/W	0	Channel 3 configuration	Reserved	Equalizer
6	R/W	0		EQ2	
5	R/W	0		EQ1	
4	R/W	0		EQ0	
3	R/W	1		FG1	Flat Gain
2	R/W	0		FG0	
1	R/W	0		SW1	Swing
0	R/W	1		SW0	

## I<sup>2</sup>C Operation

The integrated I<sup>2</sup>C interface operates as slave device when 'MS' set to logic low. Standard mode (100Kbps) is supported with 7-bit addressing. The data byte format is 8-bit bytes and supports the format of indexing to be compatible with other bus devices. In the Slave mode (MS = LOW), the device supports Read/Write. The bytes must be accessed in sequential order from the lowest to the highest byte with the ability to stop after any complete byte has been transferred.

Address bits A5 to A0 are configurable by hardware strap pin to support multiple chips environment.

## Transferring Data

Every byte put on the SDA line must be 8-bits long. Each byte must be followed by an acknowledge bit. Data is transferred with the most significant bit (MSB) first (see the I<sup>2</sup>C Data Transfer diagram). The device never holds the clock line SCL to low to force the master into a wait state.

## Acknowledge

Data transfer with acknowledge is required from the master. When the master releases the SDA line (HIGH) during the acknowledge clock pulse, the device pulls down the SDA line during the acknowledge clock pulse, so it remains stable LOW during the HIGH period of this clock pulse as indicated in the I<sup>2</sup>C Data Transfer diagram. The device generates an acknowledge after each byte has been received.

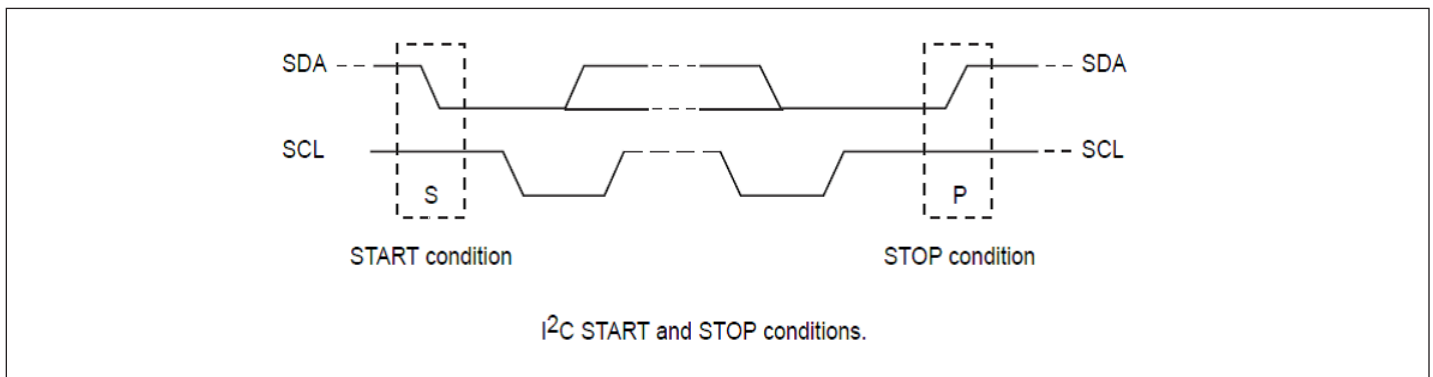
## Data Transfer

A data transfer cycle begins with the master issuing a start bit. After recognizing a start bit, the device watches the next byte of information for a match with its address setting. When a match is found it responds with a read or write of data on the following clocks. Each byte must be followed by an acknowledge bit except for the last byte of a read cycle, which ends with a stop bit. For a write cycle, the first data byte following the address byte is an index byte that is used by the device. Data is transferred with the most significant bit (MSB) first.

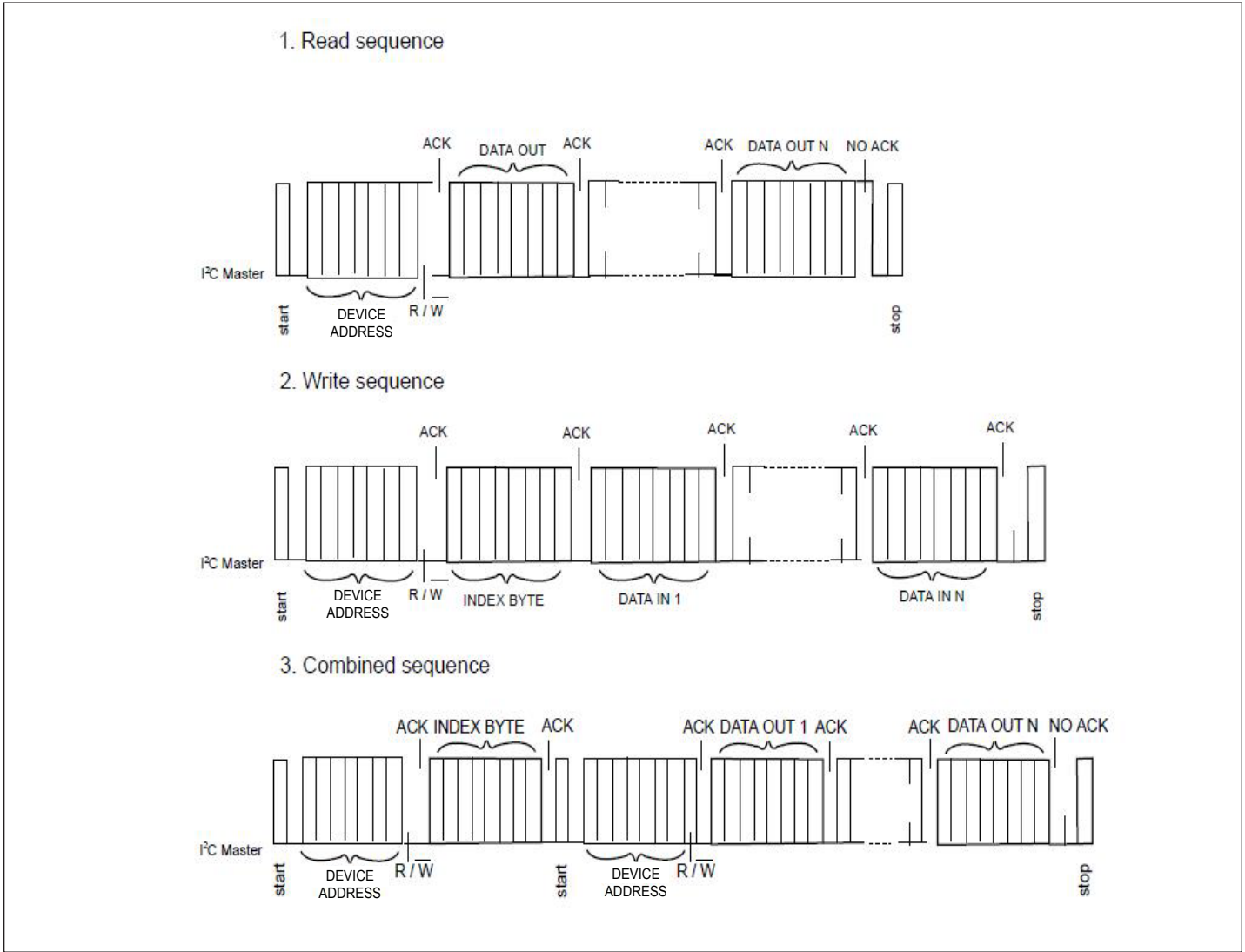
## I<sup>2</sup>C Data Transfer

### Start & Stop Conditions

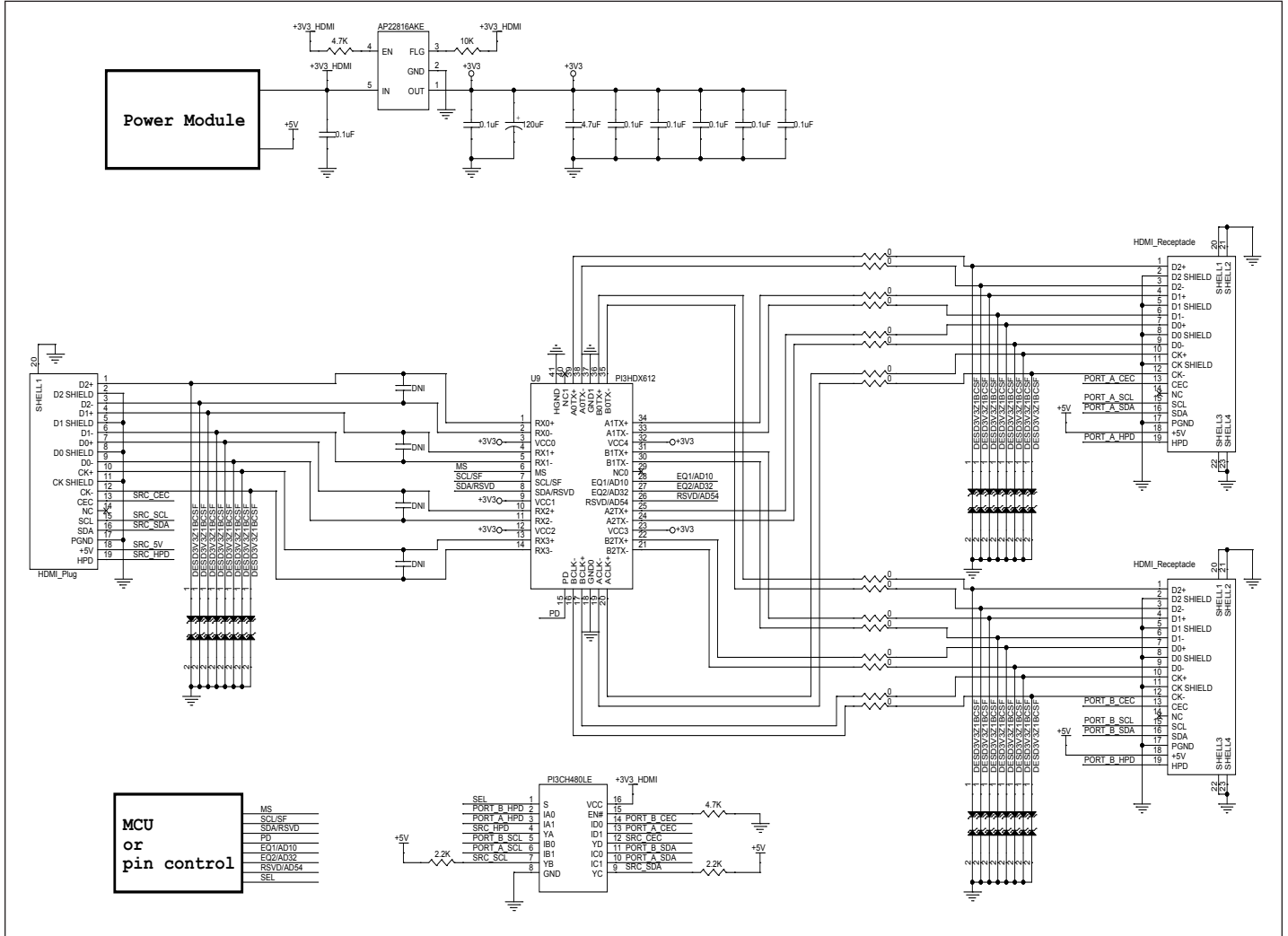
A HIGH-to-LOW transition on the SDA line while SCL is HIGH indicates a START condition. A LOW-to-HIGH transition on the SDA line while SCL is HIGH defines a STOP condition, as shown in the figure below.



**I<sup>2</sup>C Data Transfer**



**Application Schematics**



## Maximum Ratings

(Above which useful life may be impaired. For user guidelines, not tested.)

Storage Temperature . . . . .	-65°C to +150°C
Supply Voltage to Ground Potential . . . . .	-0.5V to +3.8V
DC SIG Voltage . . . . .	-0.5V to V <sub>CC</sub> +0.5V
ESD, HBM. . . . .	-2kV to +2kV

**Note:**  
Stresses greater than those listed under MAXIMUM RATINGS may cause permanent damage to the device. This is a stress rating only and functional operation of the device at these or any other conditions above those indicated in the operational sections of this specification is not implied. Exposure to absolute maximum rating conditions for extended periods may affect reliability.

## Thermal Information

Symbol	Parameter	40-pin TQFN (ZLD) Package	Units
Theta JA	Junction to Ambient Thermal Resistance	17.91	°C/W

## Recommended Operating Conditions

Symbol	Parameter	Min.	Typ.	Max.	Units
VCC	Supply Voltage	3.0	3.3	3.6	V
TA	Ambient Temperature	-40		+70	°C

## Electrical Characteristics - LVCMOS I/O DC Specifications

V<sub>CC</sub> = 3.3 ± 0.3V, T<sub>A</sub> = -40°C to 70°C

Symbol	Parameter	Conditions	Min.	Typ.	Max.	Units
V <sub>IH</sub>	DC Input Logic High		0.44 VCC		VCC + 0.3	V
V <sub>IL</sub>	DC Input Logic Low		-0.3		0.1 VCC	V
<b>4-Level Control Pins</b>						
V <sub>IH</sub>	DC Input Logic "High"		0.92×VCC	VCC		V
V <sub>IF</sub>	DC Input Logic "Float"		0.59×VCC	0.67×VCC	0.75×VCC	V
V <sub>IR</sub>	DC Input Logic "With Rext to GND"		0.25×VCC	0.33×VCC	0.41×VCC	V
V <sub>IL</sub>	DC Input Logic "Low"			GND	0.08×VCC	V
I <sub>IH</sub>	Input High Current				50	μA
I <sub>IL</sub>	Input Low Current		-50			μA
Rext	External Resistance Connects to GND (±5%)		64.6	68	71.4	kΩ

**Electrical Characteristics - SDA and SCL I/O for I<sup>2</sup>C-bus**
 $V_{CC} = 3.3 \pm 0.3V$ ,  $T_A = -40^{\circ}C$  to  $70^{\circ}C$ 

Symbol	Parameter	Conditions	Min.	Typ.	Max.	Units
$V_{IH}$	DC Input Logic High		$V_{CC}/2 + 0.7$		$V_{CC} + 0.3$	V
$V_{IL}$	DC Input Logic Low		-0.3		$V_{CC}/2 - 0.7$	V
$V_{OL}$	DC Output Logic Low	$I_{OL} = 3mA$			0.4	V
$V_{hys}$	Hysteresis of Schmitt Trigger Input		0.8			V
$t_{of}$	Output Fall Time from $V_{IHmin}$ to $V_{ILmax}$ with Bus Capacitance 10-400pF				250	ns
$f_{SCL}$	SCL Clock Frequency				100	kHz

**Electrical Characteristics - High Speed I/O AC/DC Specifications**
 $V_{CC} = 3.3 \pm 0.3V$ ,  $T_A = -40^{\circ}C$  to  $70^{\circ}C$ 

Symbol	Parameter	Conditions	Min.	Typ.	Max.	Units
$C_{RX}$	RX AC Coupling Capacitance			220		nF
$S_{11}$	Input Return Loss	10MHz to 3GHz Differential		-21		dB
		1GHz to 3GHz Common Mode		-7		
$S_{22}$	Output Return Loss	10MHz to 3GHz Differential		-20		dB
		1GHz to 3GHz Common Mode		-9		
$R_{IN}$	DC Single-Ended Input Impedance			50		$\Omega$
	DC Differential Input Impedance			100		
$R_{OUT}$	DC Single-Ended Output Impedance			50		$\Omega$
	DC Differential Output Impedance			100		
$Z_{RX-HIZ}$	DC Input CM Input Impedance During Reset or Power Down			78		k $\Omega$
$V_{RX-DIFF-PP}$	Differential Input Peak-to-Peak Voltage	Operational			1.2	V <sub>ppd</sub>
$V_{RX\_CM}$	Input Source Common-Mode Noise	DC – 200MHz			150	mV <sub>pp</sub>
$P_{active}$	Supply Power @ Active Mode, with Signal	PD = 0			1656	mW
$I_{active}$	Supply Current @ Active Mode, with Signal				460	mA
$I_{standby}$	Supply Current @ Standby Mode	PD = 1			110	$\mu$ A
$t_{pd}$	Latency	From Input to Output		0.5		ns

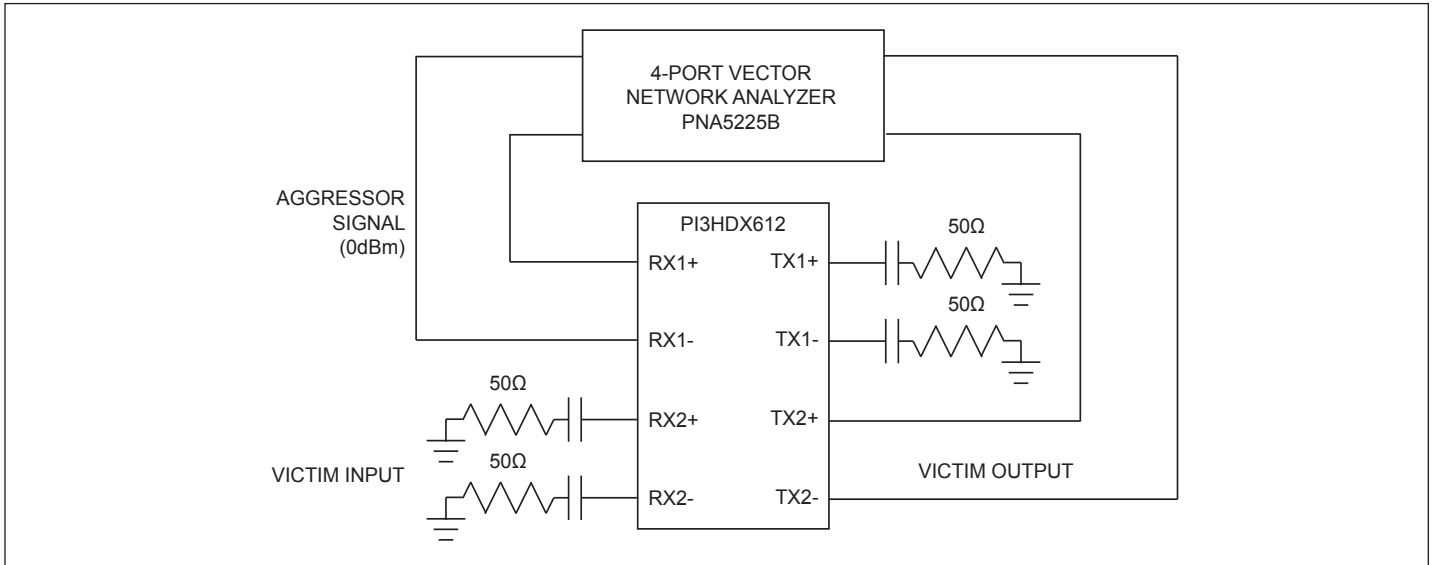
**PI3HDX612**

Symbol	Parameter	Conditions	Min.	Typ.	Max.	Units
G <sub>p</sub>	Peaking Gain (Compensation at 3GHz, Relative to 100MHz, 100mVp-p Sine Wave Input)	EQ<2:0> = 111 EQ<2:0> = 000		8.9 2.5		dB
		Variation Around Typical	-3		+3	dB
G <sub>F</sub>	Flat Gain (100MHz)	SF = R/1 SF = 0/F		-0.5 -3.5		dB
		Variation Around Typical	-3		+3	dB
V <sub>1dB_100M</sub>	-1dB Compression Point of Output Swing (at 100MHz)	SF = 1, EQ<2:0> = 111 SF = R, EQ<2:0> = 111		1200 1100		mVppd
V <sub>1dB_3G</sub>	-1dB Compression Point of Output Swing (at 3GHz)	SF = 1, EQ<2:0> = 111 SF = R, EQ<2:0> = 111		1100 900		mVppd
V <sub>Coup</sub>	Channel Isolation	100MHz to 3GHz, at EQ = 000 Figure 1 (Note 1)		-50		dB
V <sub>noise_input</sub>	Input-Referred Noise	100MHz to 3GHz, SF = 1, EQ<2:0> = 000, Figure 2		0.8		mV <sub>RMS</sub>
		100MHz to 3GHz, SF = 1, EQ<2:0> = 111, Figure 2		0.5		
V <sub>noise_output</sub>	Output-Referred Noise <sup>(2)</sup>	100MHz to 3GHz, SF = 1, EQ<2:0> = 000, Figure 2		0.7		mV <sub>RMS</sub>
		100MHz to 3GHz, SF = 1, EQ<2:0> = 111, Figure 2		1.0		

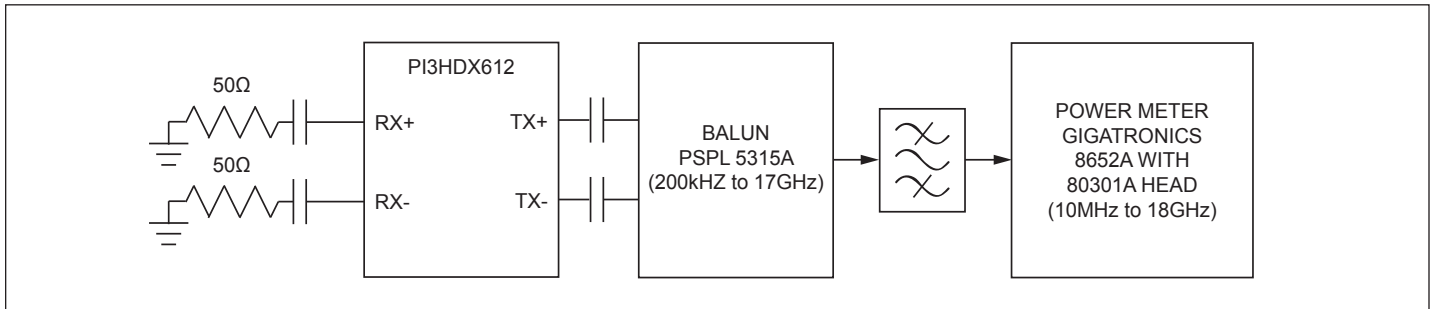
**Note:**

1. Measured using a vector-network analyzer (VNA) with -30dBm power level applied to the adjacent input. The VNA detects the signal at the output of the victim channel. All other inputs and outputs are terminated with 50Ω.
2. Guaranteed by design and characterization.

**PI3HDX612**

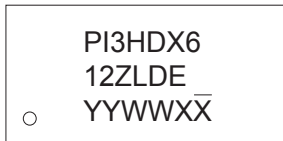


**Figure 1. Channel-Isolation Test Configuration**



**Figure 2. Noise Test Configuration**

**Part Marking**

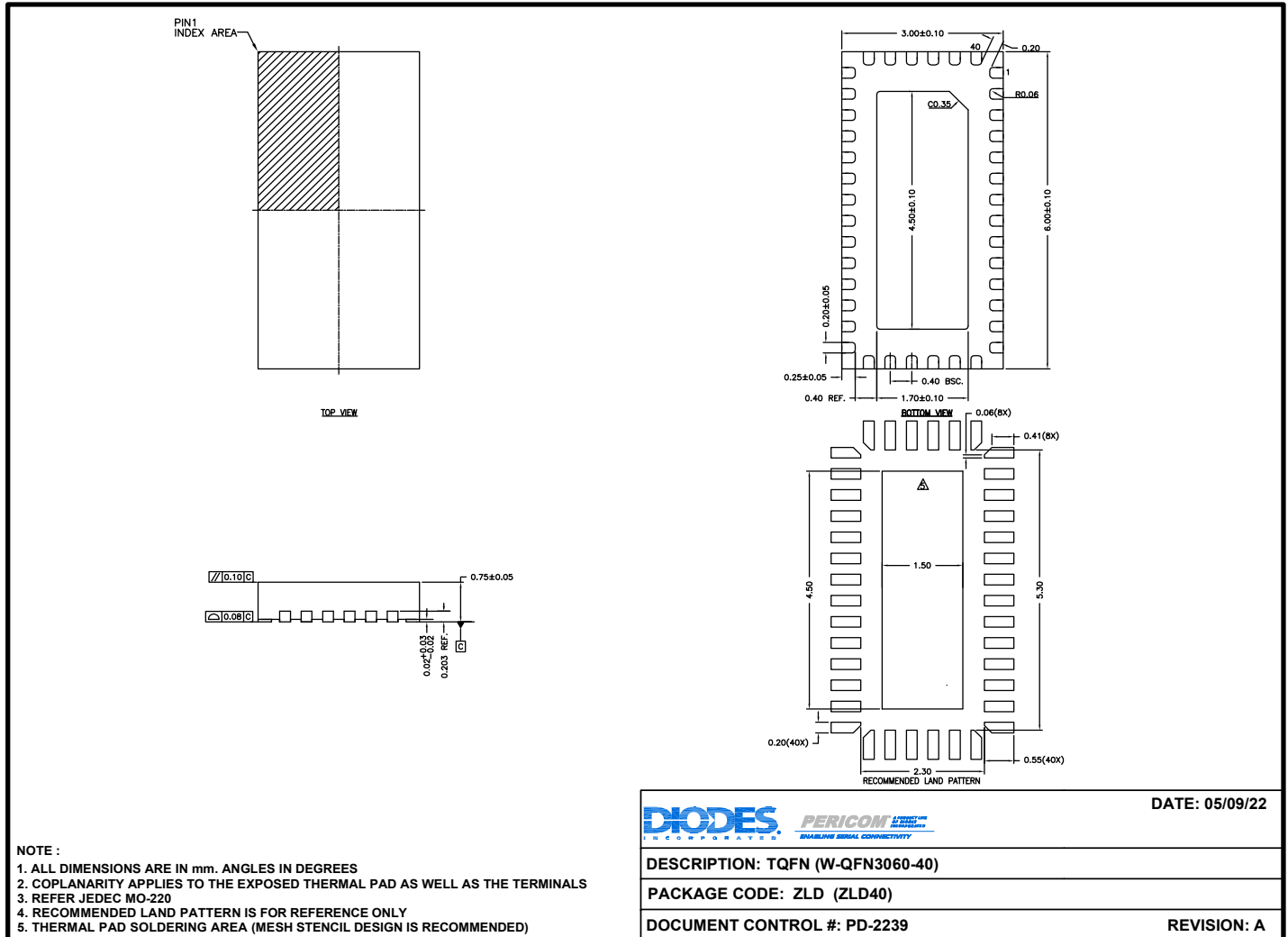


YY: Year  
WW: Workweek  
1st X: Assembly Code  
2nd X: Fab Code



## Packaging Mechanical

### 40-TQFN (ZLD)



For latest package info.

please check: <http://www.diodes.com/design/support/packaging/pericom-packaging/packaging-mechanicals-and-thermal-characteristics/>

## Ordering Information

Ordering Number	Package Code	Package Description
PI3HDX612ZLDEX	ZLD	TQFN (W-QFN3060-40)

**Notes:**

1. No purposely added lead. Fully EU Directive 2002/95/EC (RoHS), 2011/65/EU (RoHS 2) & 2015/863/EU (RoHS 3) compliant.
2. See <https://www.diodes.com/quality/lead-free/> for more information about Diodes Incorporated's definitions of Halogen- and Antimony-free, "Green" and Lead-free.
3. Halogen- and Antimony-free "Green" products are defined as those which contain <900ppm bromine, <900ppm chlorine (<1500ppm total Br + Cl) and <1000ppm antimony compounds.
4. E = Pb-free and Green
5. X suffix = Tape/Reel

**IMPORTANT NOTICE**

1. DIODES INCORPORATED (Diodes) AND ITS SUBSIDIARIES MAKE NO WARRANTY OF ANY KIND, EXPRESS OR IMPLIED, WITH REGARDS TO ANY INFORMATION CONTAINED IN THIS DOCUMENT, INCLUDING, BUT NOT LIMITED TO, THE IMPLIED WARRANTIES OF MERCHANTABILITY, FITNESS FOR A PARTICULAR PURPOSE OR NON-INFRINGEMENT OF THIRD PARTY INTELLECTUAL PROPERTY RIGHTS (AND THEIR EQUIVALENTS UNDER THE LAWS OF ANY JURISDICTION).

2. The Information contained herein is for informational purpose only and is provided only to illustrate the operation of Diodes' products described herein and application examples. Diodes does not assume any liability arising out of the application or use of this document or any product described herein. This document is intended for skilled and technically trained engineering customers and users who design with Diodes' products. Diodes' products may be used to facilitate safety-related applications; however, in all instances customers and users are responsible for (a) selecting the appropriate Diodes products for their applications, (b) evaluating the suitability of Diodes' products for their intended applications, (c) ensuring their applications, which incorporate Diodes' products, comply the applicable legal and regulatory requirements as well as safety and functional-safety related standards, and (d) ensuring they design with appropriate safeguards (including testing, validation, quality control techniques, redundancy, malfunction prevention, and appropriate treatment for aging degradation) to minimize the risks associated with their applications.

3. Diodes assumes no liability for any application-related information, support, assistance or feedback that may be provided by Diodes from time to time. Any customer or user of this document or products described herein will assume all risks and liabilities associated with such use, and will hold Diodes and all companies whose products are represented herein or on Diodes' websites, harmless against all damages and liabilities.

4. Products described herein may be covered by one or more United States, international or foreign patents and pending patent applications. Product names and markings noted herein may also be covered by one or more United States, international or foreign trademarks and trademark applications. Diodes does not convey any license under any of its intellectual property rights or the rights of any third parties (including third parties whose products and services may be described in this document or on Diodes' website) under this document.

5. Diodes' products are provided subject to Diodes' Standard Terms and Conditions of Sale (<https://www.diodes.com/about/company/terms-and-conditions/terms-and-conditions-of-sales/>) or other applicable terms. This document does not alter or expand the applicable warranties provided by Diodes. Diodes does not warrant or accept any liability whatsoever in respect of any products purchased through unauthorized sales channel.

6. Diodes' products and technology may not be used for or incorporated into any products or systems whose manufacture, use or sale is prohibited under any applicable laws and regulations. Should customers or users use Diodes' products in contravention of any applicable laws or regulations, or for any unintended or unauthorized application, customers and users will (a) be solely responsible for any damages, losses or penalties arising in connection therewith or as a result thereof, and (b) indemnify and hold Diodes and its representatives and agents harmless against any and all claims, damages, expenses, and attorney fees arising out of, directly or indirectly, any claim relating to any noncompliance with the applicable laws and regulations, as well as any unintended or unauthorized application.

7. While efforts have been made to ensure the information contained in this document is accurate, complete and current, it may contain technical inaccuracies, omissions and typographical errors. Diodes does not warrant that information contained in this document is error-free and Diodes is under no obligation to update or otherwise correct this information. Notwithstanding the foregoing, Diodes reserves the right to make modifications, enhancements, improvements, corrections or other changes without further notice to this document and any product described herein. This document is written in English but may be translated into multiple languages for reference. Only the English version of this document is the final and determinative format released by Diodes.

8. Any unauthorized copying, modification, distribution, transmission, display or other use of this document (or any portion hereof) is prohibited. Diodes assumes no responsibility for any losses incurred by the customers or users or any third parties arising from any such unauthorized use.

9. This Notice may be periodically updated with the most recent version available at <https://www.diodes.com/about/company/terms-and-conditions/important-notice>

The Diodes logo is a registered trademark of Diodes Incorporated in the United States and other countries.

All other trademarks are the property of their respective owners.

© 2023 Diodes Incorporated. All Rights Reserved.

[www.diodes.com](http://www.diodes.com)

# Mouser Electronics

Authorized Distributor

Click to View Pricing, Inventory, Delivery & Lifecycle Information:

[Diodes Incorporated:](#)

[PI3HDX612ZLDEX](#)