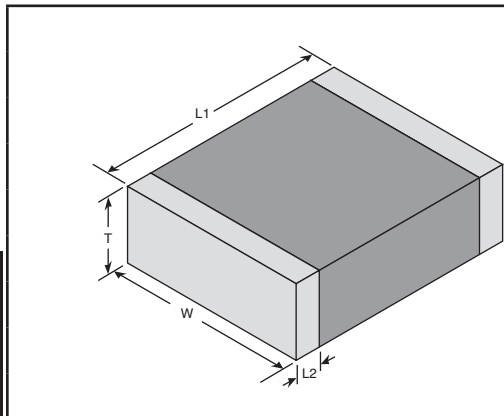


SYFER SMD Ceramic Capacitors

 This page of product is compliant.



Size	DIMENSIONS: mm (in.)				
	Length (L1)	Width (W)	Max. Thickness (T)	Termination Band (L2)	
				Min.	Max.
0805	2.0±0.3 (0.08±0.012)	1.25±0.2 (0.05±0.008)	1.3 (0.051)	0.13 (0.005)	0.75 (0.03)
1206	3.2±0.3 (0.126±0.012)	1.6±0.2 (0.063±0.008)	1.6 (0.063)	0.25 (0.01)	0.75 (0.03)
1210	3.2±0.3 (0.126±0.012)	2.5±0.3 (0.1±0.012)	2.0 (0.08)	0.25 (0.01)	0.75 (0.03)
1808	4.5±0.35 (0.18±0.014)	2.0±0.3 (0.08±0.012)	2.0 (0.08)	0.25 (0.01)	1.0 (0.04)
1812	4.5±0.35 (0.18±0.014)	3.2±0.3 (0.126±0.012)	2.5 (0.1)	0.25 (0.01)	1.0 (0.04)
2220	5.7±0.4 (0.225±0.016)	5.0±0.4 (0.197±0.016)	2.5 (0.1)	0.25 (0.01)	1.0 (0.04)

SURGE AND SAFETY CAPACITORS

The Syfer range of surge and safety ceramic capacitors offer designers the option of using a surface mount ceramic multilayer capacitor to replace leaded film types. Offering the benefits of reduced board space requirements and lower profile, they are also available in a FlexiCap™ version to reduce the risk of mechanical cracking.



RoHS Compliant

Applications:

- Modems
- AC-DC Power Supplies
- Where lightning strikes or other voltage transients represent a threat to electronic equipment.

For quantities greater than listed, call for quote.

MOUSER STOCK NO.	Syfer Part No.	Value (pF)	Voltage (AC)	Tol. (%)	Class	Approvals	Termination	Price Each				Reel Qty.	Price Per Piece
								1	100	500	1000		
Style 1808-Temperature Coeff. C0G/NP0													
843-1808YA250270FCS2	1808YA250270FCTS2	27	250	1	Y2/X1	TÜV/UL	FlexiCap™	11.40	8.55	6.61	4.47	1500	3.80
843-1808YA250270GCS2	1808YA250270GCTS2	27	250	2	Y2/X1	TÜV/UL	FlexiCap™	5.98	4.48	3.47	2.34	1500	1.99
843-1808YA250270JCS2	1808YA250270JCTS2	27	250	5	Y2/X1	TÜV/UL	FlexiCap™	2.99	2.24	1.73	1.17	1500	.996
843-1808JA250151JCS2	1808JA250151JCTS2	150	250	5	Y2/X1	TÜV/UL	FlexiCap™	3.19	2.39	1.85	1.25	1500	1.06
Style 1808-Temperature Coeff. X7R													
843-1808YA250151JXS2	1808YA250151JXTSY2	150	250	5	Y2/X1	TÜV/UL	FlexiCap™	3.35	2.51	1.94	1.31	1500	1.12
843-1808YA250151KXS2	1808YA250151KXTSY2	150	250	10	Y2/X1	TÜV/UL	FlexiCap™	2.79	2.09	1.62	1.09	1500	.93
843-1808YA250331JXS2	1808YA250331JXTSY2	330	250	5	Y2/X1	TÜV/UL	FlexiCap™	3.35	2.51	1.94	1.31	1500	1.12
843-1808JA250331KXS2	1808JA250331KXTSY2	330	250	10	Y2/X1	TÜV/UL	Matte Tin	2.32	1.74	1.35	.91	1500	.774
843-1808JA250681JXS2	1808JA250681JXTSY2	680	250	5	Y2/X1	TÜV/UL	Matte Tin	3.65	2.74	2.12	1.43	1500	1.22
843-1808YA250102JXS2	1808YA250102JXTSY2	1000	250	5	Y2/X1	TÜV/UL	FlexiCap™	6.18	4.64	3.58	2.42	1500	2.06
843-1808YA250102KXS2	1808YA250102KXTSY2	1000	250	10	Y2/X1	TÜV/UL	FlexiCap™	5.12	3.84	2.97	2.00	1500	1.71
843-1808YA250102JXSPU	1808YA250102JXTSPU	1000	250	5	Y3/X2	TÜV/UL	FlexiCap™	3.13	2.34	1.81	1.22	1500	1.04
843-1808JA250102JXSPU	1808JA250102JXTSPU	1000	250	5	Y3/X2	TÜV/UL	Matte Tin	2.60	1.95	1.51	1.02	1500	.868
843-1808JA250102KXSPU	1808JA250102KXTSPU	1000	250	10	Y3/X2	TÜV/UL	Matte Tin	2.27	1.70	1.32	.89	1500	.756
Style 2220-Temperature Coeff. X7R													
843-2220YA250151JX16	2220YA250151JXTB16	150	250	5	X1/Y2	TÜV/UL	FlexiCap™	5.47	4.10	3.17	2.14	1000	2.14
843-2220JA250471KX16	2220JA250471KXTB16	470	250	10	X1/Y2	TÜV/UL	Matte Tin	3.65	2.74	2.12	1.43	1000	1.43
843-2220YA250102JX16	2220YA250102JXTB16	1000	250	5	X1/Y2	TÜV/UL	FlexiCap™	6.30	4.73	3.65	2.47	1000	2.47
843-2220YA250152JX16	2220YA250152JXTB16	1500	250	5	X1/Y2	TÜV/UL	FlexiCap™	6.78	5.09	3.93	2.66	1000	2.66
843-2220JA250152KX16	2220JA250152KXTB16	1500	250	10	X1/Y2	TÜV/UL	Matte Tin	4.54	3.40	2.63	1.78	1000	1.78
843-2220YA250222KX16	2220YA250222KXTB16	2200	250	10	X1/Y2	TÜV/UL	Matte Tin	4.54	3.40	2.63	1.78	1000	1.78
843-2220YA250103JX17	2220YA250103JXTB17	10000	250	5	X2	TÜV	FlexiCap™	7.32	5.49	4.25	2.87	1000	2.87

250VAC NON SAFETY RATED AC CAPACITORS

Syfer Technology has developed a range of MLCs for use in 250Vac 60Hz applications. As they are designed for non-safety critical applications, the available capacitance values are much higher than for safety types which need to meet strict impulse and voltage proof requirements.



RoHS Compliant

For quantities greater than listed, call for quote.

MOUSER STOCK NO.	Syfer Part No.	Value (pF)	Voltage (AC)	Tol. (%)	Termination	Price Each				Reel Qty.	Price Per Piece
						1	100	500	1000		
Style 0805-Temperature Coeff. C0G/NP0											
843-0805YA250181JCT	0805YA250181JCT	180	250	5	FlexiCap™	.99	.54	.39	.32	3000	.284
Style 0805-Temperature Coeff. X7R											
843-0805YA250103KXT	0805YA250103KXT	10000	250	10	FlexiCap™	.64	.34	.25	.205	3000	.182
Style 1206-Temperature Coeff. C0G/NP0											
843-1206YA250181JCT	1206YA250181JCT	180	250	5	FlexiCap™	1.90	1.02	.74	.61	2500	.542
843-1206YA250391KCT	1206YA250391KCT	390	250	10	FlexiCap™	1.71	.92	.67	.549	2500	.488
Style 1206-Temperature Coeff. X7R											
843-1206YA250103KXT	1206YA250103KXT	10000	250	10	FlexiCap™	1.30	.70	.51	.418	2500	.372
843-1206YA250473KXT	1206YA250473KXT	47000	250	10	FlexiCap™	1.52	.82	.60	.49	2500	.435
Style 1210-Temperature Coeff. C0G/NP0											
843-1210YA250471JCT	1210YA250471JCT	470	250	5	FlexiCap™	1.21	.65	.47	.387	2000	.344
843-1210YA250561KCT	1210YA250561KCT	560	250	10	FlexiCap™	2.94	1.57	1.15	.944	2000	.839
Style 1210-Temperature Coeff. X7R											
843-1210YA250153JXT	1210YA250153JXT	15000	250	5	FlexiCap™	2.38	1.27	.93	.764	2000	.679
843-1210YA250223KXT	1210YA250223KXT	22000	250	10	FlexiCap™	2.77	1.49	1.09	.892	2000	.793
843-1210YA250104KXT	1210YA250104KXT	100000	250	10	FlexiCap™	3.31	1.77	1.30	1.07	2000	.946
Style 1812-Temperature Coeff. C0G/NP0											
843-1812YA250331JCT	1812YA250331JCT	330	250	5	FlexiCap™	4.57	2.45	1.79	1.47	1000	1.47
843-1812YA250471JCT	1812YA250471JCT	470	250	5	FlexiCap™	4.44	2.38	1.75	1.43	1000	1.43
843-1812YA250152JCT	1812YA250152JCT	1500	250	5	FlexiCap™	4.62	2.48	1.82	1.49	1000	1.49
843-1812YA250222JCT	1812YA250222JCT	2200	250	5	FlexiCap™	5.41	2.90	2.12	1.74	1000	1.74
Style 1812-Temperature Coeff. X7R											
843-1812YA250223MXT	1812YA250223MXT	22000	250	20	FlexiCap™	3.72	1.99	1.46	1.20	1000	1.20
843-1812YA250273JXT	1812YA250273JXT	27000	250	5	FlexiCap™	4.31	2.31	1.69	1.38	1000	1.38
843-1812YA250563JXT	1812YA250563JXT	56000	250	5	FlexiCap™	6.12	3.28	2.40	1.97	500	2.40
843-1812YA250124KXT	1812YA250124KXT	120000	250	10	FlexiCap™	5.24	2.81	2.06	1.68	500	2.06