

# KEMET Multilayer Ceramic Chip Capacitors

The Capacitance Company  
**KEMET**  
CHARGED.

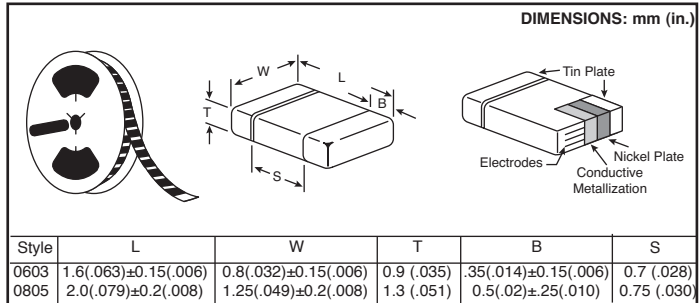
## CASE SIZE 0603 (CONT.)



RoHS Compliant

For quantities greater than listed, call for quote.

MOUSER STOCK NO.	KEMET Part No.	Value (pF)	Volt (DC)	Tol.±	Price Each		Reel Qty.	Price Per Piece
					1	100		
<b>Temperature Coefficient: C0G (Cont.)</b>								
80-C0603C821K5R	C0603C821K5RACTU	820	50	10%	.07	.03	4000	.012
80-C0603C102J4R	C0603C102J4RACTU	1000	16	5%	.41	.25	4000	.078
80-C0603C102K4R	C0603C102K4RACTU	1000	16	10%	.09	.02	4000	.005
80-C0603C102J3R	C0603C102J3RACTU	1000	25	5%	.24	.09	4000	.025
80-C0603C102K3R	C0603C102K3RACTU	1000	25	10%	.18	.11	4000	.02
80-C0603C102J5R	C0603C102J5RACTU	1000	50	5%	.07	.03	4000	.01
80-C0603C102K5R	C0603C102K5RACTU	1000	50	10%	.07	.01	4000	.004
80-C0603C102M5R	C0603C102M5RACTU	1000	50	20%	.24	.16	4000	.048
80-C0603C102J1R	C0603C102J1RACTU	1000	100	5%	.34	.16	4000	.067
80-C0603C102K1R	C0603C102K1RACTU	1000	100	10%	.10	.06	4000	.02
80-C0603C122K5R	C0603C122K5RACTU	1200	50	10%	.33	.21	4000	.071
80-C0603C152J5R	C0603C152J5RACTU	1500	50	5%	.41	.25	4000	.078
80-C0603C152K5R	C0603C152K5RACTU	1500	50	10%	.09	.03	4000	.009
80-C0603C152K1R	C0603C152K1RACTU	1500	100	10%	.13	.04	4000	.017
80-C0603C182J5R	C0603C182J5RACTU	1800	50	5%	.15	.06	4000	.018
80-C0603C182K5R	C0603C182K5RACTU	1800	50	10%	.11	.04	4000	.012
80-C0603C222J5R	C0603C222J5RACTU	2200	50	5%	.07	.02	4000	.008
80-C0603C222K5R	C0603C222K5RACTU	2200	50	10%	.07	.02	4000	.006
80-C0603C222K1R	C0603C222K1RACTU	2200	100	10%	.10	.03	4000	.009
80-C0603C272J5R	C0603C272J5RACTU	2700	50	5%	.41	.25	4000	.078
80-C0603C272K5R	C0603C272K5RACTU	2700	50	10%	.13	.05	4000	.019
80-C0603C332J5R	C0603C332J5RACTU	3300	50	5%	.18	.116	4000	.05
80-C0603C332K5R	C0603C332K5RACTU	3300	50	10%	.09	.03	4000	.009
80-C0603C332K1R	C0603C332K1RACTU	3300	100	10%	.38	.19	4000	.063
80-C0603C392J5R	C0603C392J5RACTU	3900	50	5%	.24	.09	4000	.026
80-C0603C392K5R	C0603C392K5RACTU	3900	50	10%	.25	.11	4000	.048
80-C0603C472J4R	C0603C472J4RACTU	4700	16	10%	.11	.076	4000	.036
80-C0603C472K5R	C0603C472K5RACTU	4700	50	5%	.07	.02	4000	.008
80-C0603C472K5R	C0603C472K5RACTU	4700	50	10%	.07	.02	4000	.006
80-C0603C472K1R	C0603C472K1RACTU	4700	100	10%	.33	.20	4000	.063
80-C0603C562J5R	C0603C562J5RACTU	5600	50	5%	.09	.07	4000	.017
80-C0603C562K5R	C0603C562K5RACTU	5600	50	10%	.10	.06	4000	.02
80-C0603C562K1R	C0603C562K1RACTU	5600	100	10%	.30	.17	4000	.054
80-C0603C682J5R	C0603C682J5RACTU	6800	50	5%	.42	.22	4000	.07
80-C0603C682K5R	C0603C682K5RACTU	6800	50	10%	.07	.027	4000	.008
80-C0603C682K1R	C0603C682K1RACTU	6800	100	10%	.30	.17	4000	.054
80-C0603C822J5R	C0603C822J5RACTU	8200	50	5%	.30	.18	4000	.061
80-C0603C822K1R	C0603C822K1RACTU	8200	100	10%	.30	.17	4000	.054
80-C0603C153K3R	C0603C153K3RACTU	0.15µF	25	10%	.31	.14	4000	.051
80-C0603C153K5R	C0603C153K5RACTU	0.15µF	50	10%	.09	.03	4000	.009
80-C0603C183K5R	C0603C183K5RACTU	0.18µF	50	10%	.07	.02	4000	.008
80-C0603C103K8R	C0603C103K8RACTU	0.1µF	10	10%	.31	.14	4000	.051
80-C0603C103J4R	C0603C103J4RACTU	0.1µF	16	5%	.10	.03	4000	.009
80-C0603C103K4R	C0603C103K4RACTU	0.1µF	16	10%	.18	.11	4000	.02
80-C0603C103J3R	C0603C103J3RACTU	0.1µF	25	5%	.29	.19	4000	.078
80-C0603C103K3R	C0603C103K3RACTU	0.1µF	25	10%	.07	.02	4000	.006
80-C0603C103J5R	C0603C103J5RACTU	0.1µF	50	5%	.07	.027	4000	.007
80-C0603C103K5R	C0603C103K5RACTU	0.1µF	50	10%	.06	.01	4000	.004
80-C0603C103M5R	C0603C103M5RACTU	0.1µF	50	20%	.09	.02	4000	.006
80-C0603C103J1R	C0603C103J1RACTU	0.1µF	100	5%	.37	.22	4000	.077
80-C0603C103K1R	C0603C103K1RACTU	0.1µF	100	10%	.34	.172	4000	.056
80-C0603C223K4R	C0603C223K4RACTU	0.22µF	16	10%	.19	.03	4000	.01
80-C0603C223J3R	C0603C223J3RACTU	0.22µF	25	5%	.10	.06	4000	.02
80-C0603C223K3R	C0603C223K3RACTU	0.22µF	25	10%	.09	.03	4000	.009
80-C0603C223J5R	C0603C223J5RACTU	0.22µF	50	5%	.33	.20	4000	.063
80-C0603C223K5R	C0603C223K5RACTU	0.22µF	50	10%	.11	.03	4000	.01
80-C0603C273K3R	C0603C273K3RACTU	0.27µF	25	10%	.14	.05	4000	.014
80-C0603C333K4R	C0603C333K4RACTU	0.33µF	16	10%	.07	.03	4000	.008
80-C0603C333J3R	C0603C333J3RACTU	0.33µF	25	5%	.60	.44	4000	.12
80-C0603C333K3R	C0603C333K3RACTU	0.33µF	25	10%	.13	.04	4000	.012
80-C0603C393K3R	C0603C393K3RACTU	0.39µF	25	10%	.28	.17	4000	.047
80-C0603C473K4R	C0603C473K4RACTU	0.47µF	16	10%	.07	.03	4000	.009
80-C0603C473K3R	C0603C473K3RACTU	0.47µF	25	10%	.15	.05	4000	.016
80-C0603C563J4R	C0603C563J4RACTU	0.56µF	16	5%	.48	.29	4000	.086
80-C0603C563K3R	C0603C563K3RACTU	0.56µF	25	10%	.19	.12	4000	.036
80-C0603C683J4R	C0603C683J4RACTU	0.68µF	16	5%	.46	.30	4000	.092
80-C0603C683K4R	C0603C683K4RACTU	0.68µF	16	10%	.10	.06	4000	.02
80-C0603C683K3R	C0603C683K3RACTU	0.68µF	25	10%	.11	.04	4000	.012
80-C0603C104K8R	C0603C104K8RACTU	.1µF	10	10%	.07	.02	4000	.006
80-C0603C104J4R	C0603C104J4RACTU	.1µF	16	5%	.09	.03	4000	.01
80-C0603C104K4R	C0603C104K4RACTU	.1µF	16	10%	.07	.016	4000	.005
80-C0603C104M4R	C0603C104M4RACTU	.1µF	16	20%	.07	.018	4000	.006
80-C0603C104J3R	C0603C104J3RACTU	.1µF	25	5%	.33	.21	4000	.071
80-C0603C104K3R	C0603C104K3RACTU	.1µF	25	10%	.09	.02	4000	.006
80-C0603C104M3R	C0603C104M3RACTU	.1µF	25	20%	.40	.155	4000	.054
80-C0603C154K4R	C0603C154K4RACTU	.15µF	16	10%	.25	.11	4000	.034
80-C0603C224K4R	C0603C224K4RACTU	.22µF	16	10%	.34	.21	4000	.076
80-C0603C274K9R	C0603C274K9RACTU	.27µF	6.3	10%	.44	.22	4000	.075
80-C0603C274K8R	C0603C274K8RACTU	.27µF	10	10%	.44	.22	4000	.075
80-C0603C274K4R	C0603C274K4RACTU	.27µF	16	10%	.44	.22	4000	.075
80-C0603C334K9R	C0603C334K9RACTU	.33µF	6.3	10%	.38	.23	4000	.078
80-C0603C334K8R	C0603C334K8RACTU	.33µF	10	10%	.38	.23	4000	.082
80-C0603C334K4R	C0603C334K4RACTU	.33µF	16	10%	.38	.23	4000	.078



## CASE SIZE 0603 (CONT.)

For quantities greater than listed, call for quote.

MOUSER STOCK NO.	KEMET Part No.	Value (pF)	Volt (DC)	Tol.±	Price Each		Reel Qty.	Price Per Piece
					1	100		
<b>Temperature Coefficient: X7R (Cont.)</b>								
80-C0603C394K9R	C0603C394K9RACTU	.39µF	6.3	10%	.39	.24	4000	.082
80-C0603C394K8R	C0603C394K8RACTU	.39µF	10	10%	.39	.24	4000	.082
80-C0603C394K4R	C0603C394K4RACTU	.39µF	16	10%	.39	.24	4000	.082
80-C0603C474K9R	C0603C474K9RACTU	.47µF	6.3	10%	.41	.25	4000	.085
80-C0603C474K8R	C0603C474K8RACTU	.47µF	10	10%	.41	.25	4000	.085
80-C0603C474K4R	C0603C474K4RACTU	.47µF	16	10%	.20	.08	4000	.022
<b>Temperature Coefficient: X5R</b>								
80-C0603C274K8P	C0603C274K8PACTU	.27µF	10	10%	.34	.16	4000	.047
80-C0603C334K8P	C0603C334K8PACTU	.33µF	10	10%	.26	.15	4000	.047
80-C0603C394K8P	C0603C394K8PACTU	.39µF	10	10%	.26	.15	4000	.047
80-C0603C474K8P	C0603C474K8PACTU	.47µF	10	10%	.24	.06	4000	.021
80-C0603C564K8P	C0603C564K8PACTU	.56µF	10	10%	.26	.155	4000	.047
80-C0603C684K8P	C0603C684K8PACTU	.68µF	10	10%	.24	.12	4000	.036
80-C0603C824K8P	C0603C824K8PACTU	.82µF	10	10%	.26	.15	4000	.047
80-C0603C225K9P	C0603C225K9PACTU	2.2µF	6.3	10%	.22	.08	4000	.023
80-C0603C225M9P	C0603C225M9PACTU	2.2µF	6.3	20%	.38	.21	4000	.079
<b>Temperature Coefficient: Y5V</b>								
80-C0603C473M3V	C0603C473M3VACTU	.047µF	25	20%	.46	.30	4000	.079
80-C0603C104Z4V	C0603C104Z4VACTU	.1µF	16	+80,-20	.07	.02	4000	.006
80-C0603C104M3V	C0603C104M3VACTU	.1µF	25	20%	.13	.04	4000	.013
80-C0603C104Z3V	C0603C104Z3VACTU	.1µF	25	+80,-20	.07	.01	4000	.004
80-C0603C154Z4V	C0603C154Z4VACTU	.15µF	16	+80,-20	.28	.167	4000	.048
80-C0603C154Z3V	C0603C154Z3VACTU	.15µF	25	+80,-20	.29	.15	4000	.048
80-C0603C224M4V	C0603C224M4VACTU	.22µF	16	20%	.19	.09	4000	.024
80-C0603C224Z4V	C0603C224Z4VACTU	.22µF	16	+80,-20	.19	.03	4000	.01
80-C0603C224M3V	C0603C224M3VACTU	.22µF	25	20%	.18	.106	4000	