

# Lenses for High Power LEDs



This product is RoHS compliant.



## LENSES FOR HIGH POWER LEDs

### Specifications:

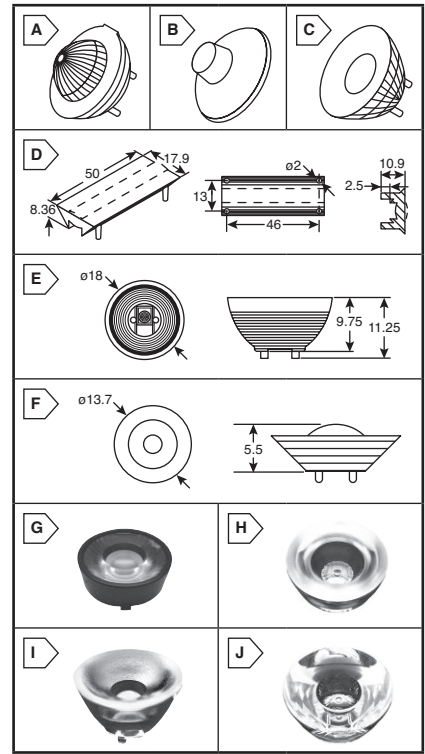
- Optical grade PMMA lens material allows use of high current and temperature conditions
- Epoxy or Polyurethane adhesive can be used to fasten the lens to PCB
- Note - Not made to handle cyanoacrylate (superglue) adhesive



DIMENSIONS: mm

For quantities greater than listed, call for quote.

MOUSER STOCK NO.	DBM Reflex Part No.	Fig.	Beam Type	Half Angle Divergence	Curve Type	Diameter	Material	Operating Temperature	Price Each					
									1	50	100	500		
<b>Osram - Golden Dragon</b>														
735-O-001	O-001	A	Wide	29°	Flat	13mm	PMMA HT	-40°C+110°C	2.26	2.03	1.86	1.70		
735-O-002	O-002	A	Very Narrow	6°	Peak	13mm	PMMA HT	-40°C+110°C	2.26	2.03	1.86	1.70		
735-O-002S	O-002s	A	Very Narrow	16°	Peak	13mm	PMMA HT	-40°C+110°C	2.26	2.03	1.86	1.70		
735-O-003	O-003	A	Medium	16°	Peak	13mm	PMMA HT	-40°C+110°C	2.26	2.03	1.86	1.70		
735-O-003S	O-003s	A	Medium	18°	Peak	13mm	PMMA HT	-40°C+110°C	2.26	2.03	1.86	1.70		
735-O-004	O-004	B	Side Emitting	3°	Flat	18mm	PMMA HT	-40°C+110°C	2.26	2.03	1.86	1.70		
735-O-005	O-005	C	Very Narrow	6°	Peak/Flat	14.5mm	PMMA	-40°C+90°C	2.26	2.03	1.86	1.70		
735-O-005S	O-005s	C	Very Narrow	5°	Peak/Flat	14.5mm	PMMA	-40°C+90°C	2.26	2.03	1.86	1.70		
735-O-006	O-006	C	Medium	15°	Peak	14.5mm	PMMA	-40°C+90°C	2.26	2.03	1.86	1.70		
735-O-007	O-007	C	Wide	30°	Peak	14.5mm	PMMA	-40°C+90°C	2.26	2.03	1.86	1.70		
<b>Citizen - Orion CL - L100</b>														
735-C-001	C-001	D	Wide	30°	Flat	50mm x 17mm	PMMA HT	-40°C+110°C	2.92	2.63	2.41	2.19		
735-C-002	C-002	D	Narrow	6°	Peak	50mm x 17mm	PMMA HT	-40°C+110°C	2.92	2.63	2.41	2.19		
735-C-003	C-003	D	Medium	15°	Flat	50mm x 17mm	PMMA HT	-40°C+110°C	2.92	2.63	2.41	2.19		
<b>Lumileds - Luxeon Rebel</b>														
735-R-001	R-001	E	Wide	29°	Flat	18mm	PMMA HT	-40°C+110°C	2.32	2.09	1.91	1.74		
735-R-001S	R-001s	E	Wide	28°	Flat	18mm	PMMA HT	-40°C+110°C	2.32	2.09	1.91	1.74		
735-R-002	R-002	E	Narrow	11°	Peak	18mm	PMMA HT 121	-40°C+110°C	2.32	2.09	1.91	1.74		
735-R-003	R-003	E	Very Narrow	5°	Peak	18mm	PMMA HT 121	-40°C+110°C	2.32	2.09	1.91	1.74		
735-R-003S	R-003s	E	Very Narrow	7°	Peak	18mm	PMMA HT 121	-40°C+110°C	2.32	2.09	1.91	1.74		
735-R-004	R-004	E	Medium	14°	Peak	18mm	PMMA HT	-40°C+110°C	2.32	2.09	1.91	1.74		
735-R-004S	R-004s	E	Medium	11°	Peak	18mm	PMMA HT	-40°C+110°C	2.32	2.09	1.91	1.74		
735-R-005	R-005	E	Side Emitting	6°	--	18mm	PMMA HT	-40°C+110°C	2.32	2.09	1.91	1.74		
<b>Nichia - NS6</b>														
735-N-001	N-001	F	Wide	28°	Flat	13.7mm	PMMA	-40°C+90°C	2.26	2.03	1.86	1.70		
<b>Cree LEDs - XBD-XPE-XPG-MTG</b>														
735-CR-001	CR-001	G	25°	--	--	19mm	PMMA	-40°C+100°C	7.14	6.43	5.88	5.36		
735-R-001SXB	R-001SXB	H	Wide	--	--	18mm	PMMA UL:HB94	-40°C+90°C	2.64	2.38	2.17	1.98		
735-R-003SXB	R-003SXB	I	Narrow	--	--	18mm	PMMA UL:HB95	-40°C+90°C	2.64	2.38	2.17	1.98		
735-R-004SXB	R-004SXB	J	Medium	--	--	18mm	PMMA UL:HB96	-40°C+90°C	2.64	2.38	2.17	1.98		



LED Lighting



## LENSES FOR HIGH POWER LEDs



For quantities greater than listed, call for quote.

MOUSER STOCK NO.	LEDLink Optics Part No.	Fig.	Lens Type	Dimensions (mm)	Viewing Angle	Fitting LED			Price Each			
						CREE	OSRAM	SEOUL	1	50	100	500
385-LL01CR-DF40L	LL01CR-DF40L	A	Single Lens	11.8x6.6	40°	XPE	-	-	1.62	1.47	1.40	1.33
385-LL01CR-DF60L	LL01CR-DF60L	B	Single Lens	11.8x6.6	60°	XPE	-	-	1.62	1.47	1.40	1.33
385-LL01CR-DF25L-M2	LL01CR-DF25L-M2	C	Single Lens	13.5x7.1	25°	XPE	-	-	1.69	1.54	1.47	1.40
385-LL01CR-BR30L	LL01CR-BR30L	D	Single Lens	19.6x12.5	30°	XPE XRE	Oslon	-	1.62	1.47	1.40	1.33
385-LL01CR-BR40L	LL01CR-BR40L	E	Single Lens	19.6x12.5	40°	XPE XRE	Oslon	P4	1.62	1.47	1.40	1.33
385-LL01OS-AX40L	LL01OS-AX40L	F	Single Lens	21.5x13.4	40°	XPE XRE	Oslon GD+	P4 Z5	1.62	1.47	1.40	1.33
385-LL01OS-AX60L	LL01OS-AX60L	G	Single Lens	21.5x13.4	60°	XPE XRE	Oslon GD+	P4 Z5	1.62	1.47	1.40	1.33
385-LL01ED-AS60L	LL01ED-AS60L	H	Single Lens	21.9x13	60°	XPE	-	P4	1.62	1.47	1.40	1.33
385-LL01ED-FM38L	LL01ED-FM38L	I	Single Lens	19.19x10.6	38°	XPE	Oslon GD+	P4 Z5	1.62	1.47	1.40	1.33
385-LL01ZZ-EX40L	LL01ZZ-EX40L	J	Single Lens	21x9.3	40°	XPE	Oslon GD+	P4 Z5	1.62	1.47	1.40	1.33
385-LL01ZZ-EX60L	LL01ZZ-EX60L	K	Single Lens	21x9.3	60°	XPE	Oslon GD+	P4 Z5	1.62	1.47	1.40	1.33
385-LL01ZZ-EX10L-M2	LL01ZZ-EX10L-M2	L	Single Lens	22.4x9.6	10°	XPE	-	-	1.69	1.54	1.47	1.40
385-LL01ZZ-FL40L	LL01ZZ-FL40L	M	Single Lens	22x10.6	40°	XPE XRE	Oslon	P4 Z5	1.69	1.54	1.47	1.40
385-LL01ZZ-FL60L	LL01ZZ-FL60L	N	Single Lens	22x10.6	60°	XPE XRE	Oslon	P4 Z5	1.69	1.54	1.47	1.40
385-LL01OS-CB15L	LL01OS-CB15L	O	Single Lens	25.6x10	15°	XPE	Oslon GD+	P4 Z5	1.69	1.54	1.47	1.40
385-LL01CR-DG30L	LL01CR-DG30L	P	Single Lens	28.8x16.5	30°	XPE XRE	Oslon GD+	P4 Z5	2.53	2.30	2.19	2.09
385-LL01CR-DG40L	LL01CR-DG40L	Q	Single Lens	28.8x16.5	40°	XPE XRE	Oslon GD+	P4 Z5	2.53	2.30	2.19	2.09
385-LL01ED-CJ60R-M2	LL01ED-CJ60R-M2	R	Convex Lens	26.7x13	60°	XPE XRE	Oslon GD+	P4	1.69	1.54	1.47	1.40
385-LL01ED-AJ40L	LL01ED-AJ40L	S	Color Mixing Lens	28.8x19.8	40°	MCE Color	Oslon GD+	P4 Z5	2.53	2.30	2.19	2.09
385-LL01CR-FT60135L	LL01CR-FT60135L	T	Street Lighting Lens	18x9.3x7	60°	XPE	Oslon	-	1.69	1.54	1.47	1.40
385-LL01CR-AU85135L	LL01CR-AU85135L	U	Street Lighting Lens	18x10.1x7.6	85°	XPE	Oslon	-	1.69	1.54	1.47	1.40
385-LL03ED-GK60L	LL03ED-GK60L	V	3in1 Lens	33.2x10.3	60°	XPE	Oslon	Z5	3.25	2.95	2.81	2.68
385-LL03LU-DO15L	LL03LU-DO15L	W	3in1 Lens	35x10.6	15°	XPE	Oslon	Z5	2.89	2.63	2.50	2.38
385-LL04LU-DO25L	LL04LU-DO25L	X	4in1 Lens	35x10.4	25°	XPE	Oslon	Z5	3.25	2.95	2.81	2.68
385-LL05CR-FR40L	LL05CR-FR40L	Y	5in1 Lens	35.8x6.5	40°	XPE	-	-	3.70	3.36	3.20	3.05
385-LL06ED-AE25L	LL06ED-AE25L	Z	6in1 Lens	73.2x13.5	25°	XPE XRE	Oslon GD+	Z5 P4	6.92	6.29	5.99	5.70
385-LL07ED-GK60L	LL07ED-GK60L	AA	7in1 Lens	47x10.7	60°	XPE	Oslon	Z5	5.52	5.02	4.78	4.55
385-LL09ED-GK40L	LL09ED-GK40L	BB	9in1 Lens	67x9.8	40°	XPE	Oslon	Z5	6.34	5.76	5.49	5.23
385-LL12ED-AG45L	LL12ED-AG45L	CC	12in1 Lens	122x13.5	45°	XPE	Oslon GD+	Z5 P4	15.02	13.65	13.00	12.38

