

PANASONIC Radial Aluminum Electrolytics EEU-HD Panasonic

RoHS Compliant This product is RoHS compliant.

HD SERIES TYPE A

Features:

- Miniaturize, higher capacitance: 1 size miniaturized product of current A-NHG
- Available in reel or bulk

Specifications:

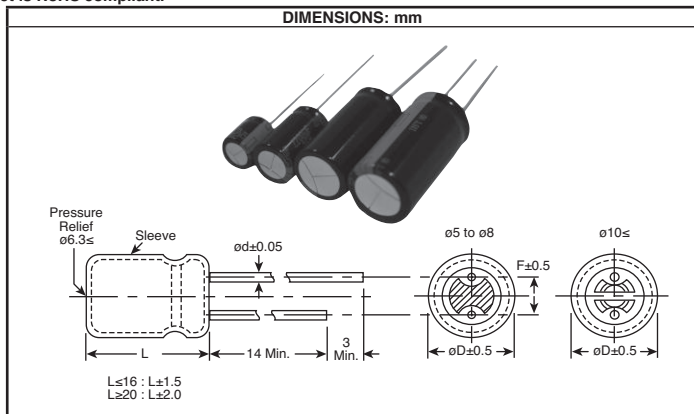
- Category temperature range: -55°C to +105°C
- Rated W.V. range: 10V.DC to 50V.DC
- Category range: 0.1μF to 22000μF
- Tolerance: 20%

| DIMENSIONS: mm | | | | | | | |
|----------------|-----|-----|-----|-----|------|-----|-----|
| Body Dia. øD | 5 | 6.3 | 8 | 10 | 12.5 | 16 | 18 |
| Lead Dia. ød | 0.5 | 0.5 | 0.6 | 0.6 | 0.6 | 0.8 | 0.8 |
| Lead Space F | 2.0 | 2.5 | 3.5 | 5.0 | 5.0 | 7.5 | 7.5 |

| Frequency Correction Factor for Ripple Current | | | | | | |
|--|---------------|----------------|------|------|------|------|
| W.V.(V.DC) | Cap. (μF) | Frequency (Hz) | | | | |
| | | 60 | 120 | 1k | 10k | 100k |
| 10 to 50 | 0.1 to 33 | 0.75 | 1.00 | 1.55 | 1.80 | 2.00 |
| | 47 to 470 | 0.80 | 1.00 | 1.35 | 1.50 | 1.50 |
| | 1000 to 22000 | 0.85 | 1.00 | 1.10 | 1.15 | 1.15 |

For quantities greater than listed, call for quote.

| MOUSER STOCK NO. | | Value (μF) | Dim. (øDxL) (mm) | Price Each | | | Reel Qty. | Price Per Piece |
|------------------|-------------------|------------|------------------|------------|------|------|-----------|-----------------|
| Mfr. | Mfr. Part No. | | | 1 | 50 | 100 | | |
| 10V | | | | | | | | |
| | 667—EEU-HD1A331B | 330 | 6.3x11.2 | .42 | .325 | .295 | 2000 | .232 |
| | 667—EEU-HD1A471B | 470 | 8x11.5 | .54 | .415 | .377 | 1000 | .316 |
| | 667—EEU-HD1A102B | 1000 | 10x12.5 | .85 | .653 | .594 | 500 | .54 |
| | 667—EEU-HD1A222B | 2200 | 10x16 | .90 | .689 | .626 | 500 | .569 |
| | 667—EEU-HD1A472B | 4700 | 12.5x20 | 1.59 | 1.22 | 1.11 | 500 | 1.01 |
| | 667—EEU-HD1A682B | 6800 | 12.5x25 | 1.91 | 1.47 | 1.34 | 500 | 1.22 |
| | 667—EEU-HD1A103B | 10000 | 16x25 | 2.46 | 1.89 | 1.72 | 250 | 1.56 |
| 16V | | | | | | | | |
| | 667—EEU-HD1C101B | 100 | 5x11 | .25 | .19 | .173 | 2000 | .135 |
| | 667—EEU-HD1C221B | 220 | 6.3x11.2 | .42 | .325 | .295 | 2000 | .232 |
| | 667—EEU-HD1C331B | 330 | 8x11.5 | .54 | .415 | .377 | 1000 | .316 |
| | 667—EEU-HD1C471B | 470 | 8x11.5 | .54 | .415 | .377 | 1000 | .316 |
| | 667—EEU-HD1C332B | 3300 | 12.5x20 | 1.59 | 1.22 | 1.11 | 500 | 1.01 |
| | 667—EEU-HD1C472B | 4700 | 12.5x25 | 1.91 | 1.47 | 1.34 | 500 | 1.22 |
| | 667—EEU-HD1C682B | 6800 | 16x25 | 2.46 | 1.89 | 1.72 | 250 | 1.56 |
| | 667—EEU-HD1C822B | 8200 | 16x25 | 2.46 | 1.89 | 1.72 | 250 | 1.56 |
| 25V | | | | | | | | |
| | 667—EEU-HD1E470B | 47 | 5x11 | .25 | .19 | .173 | 2000 | .135 |
| | 667—EEU-HD1E680B | 68 | 5x11 | .25 | .19 | .173 | 2000 | .135 |
| | 667—EEU-HD1E101B | 100 | 6.3x11.2 | .42 | .325 | .295 | 2000 | .232 |
| | 667—EEU-HD1E221B | 220 | 8x11.5 | .54 | .415 | .377 | 1000 | .316 |
| | 667—EEU-HD1E331B | 330 | 8x11.5 | .54 | .415 | .377 | 1000 | .316 |
| | 667—EEU-HD1E471B | 470 | 10x12.5 | .85 | .653 | .594 | 500 | .54 |
| | 667—EEU-HD1E102B | 1000 | 10x16 | .90 | .689 | .626 | 500 | .569 |
| | 667—EEU-HD1E222B | 2200 | 12.5x20 | 1.59 | 1.22 | 1.11 | 500 | 1.01 |
| | 667—EEU-HD1E332B | 3300 | 12.5x25 | 1.91 | 1.47 | 1.34 | 500 | 1.22 |
| | 667—EEU-HD1E472B | 4700 | 16x25 | 2.46 | 1.89 | 1.72 | 250 | 1.56 |
| | 667—EEU-HD1E562B | 5600 | 16x25 | 2.46 | 1.89 | 1.72 | 250 | 1.56 |
| 35V | | | | | | | | |
| | 667—EEU-HD1V470B | 47 | 5x11 | .25 | .19 | .173 | 2000 | .135 |
| | 667—EEU-HD1V101B | 100 | 6.3x11.2 | .42 | .325 | .295 | 2000 | .232 |
| | 667—EEU-HD1V221B | 220 | 8x11.5 | .54 | .415 | .377 | 1000 | .316 |
| | 667—EEU-HD1V331B | 330 | 10x12.5 | .85 | .653 | .594 | 500 | .54 |
| | 667—EEU-HD1V471B | 470 | 10x16 | .90 | .689 | .626 | 500 | .569 |
| | 667—EEU-HD1V681B | 680 | 10x16 | .90 | .689 | .626 | 500 | .569 |
| | 667—EEU-HD1V222B | 2200 | 12.5x25 | 1.91 | 1.47 | 1.34 | 500 | 1.22 |
| | 667—EEU-HD1V332B | 3300 | 16x25 | 2.46 | 1.89 | 1.72 | 250 | 1.56 |
| 50V | | | | | | | | |
| | 667—EEU-HD1HR10B | 0.1 | 5x11 | .25 | .19 | .173 | 2000 | .135 |
| | 667—EEU-HD1HR22B | 0.22 | 5x11 | .25 | .19 | .173 | 2000 | .135 |
| | 667—EEU-HD1HR33B | 0.33 | 5x11 | .25 | .19 | .173 | 2000 | .135 |
| | 667—EEU-HD1HR47B | 0.47 | 5x11 | .25 | .19 | .173 | 2000 | .135 |
| | 667—EEU-HD1H1R0B | 1 | 5x11 | .25 | .19 | .173 | 2000 | .135 |
| | 667—EEU-HD1H2R2B | 2.2 | 5x11 | .25 | .19 | .173 | 2000 | .135 |
| | 667—EEU-HD1H3R3B | 3.3 | 5x11 | .25 | .19 | .173 | 2000 | .135 |
| | 667—EEU-HD1H4R7B | 4.7 | 5x11 | .25 | .19 | .173 | 2000 | .135 |
| | 667—EEU-HD1H100B | 10 | 5x11 | .25 | .19 | .173 | 2000 | .135 |
| | 667—EEU-HD1H220B | 22 | 5x11 | .25 | .19 | .173 | 2000 | .135 |
| | 667—EEU-HD1H330B | 33 | 5x11 | .25 | .19 | .173 | 2000 | .135 |
| | 667—EEU-HD1H470B | 47 | 6.3x11.2 | .42 | .325 | .295 | 2000 | .232 |
| | 667—EEU-HD1H680B | 68 | 6.3x11.2 | .42 | .325 | .295 | 2000 | .232 |
| | 667—EEU-HD1H101B | 100 | 8x11.5 | .54 | .415 | .377 | 1000 | .316 |
| | 667—EEU-HD1H221B | 220 | 10x12.5 | .85 | .653 | .594 | 500 | .54 |
| | 667—EEU-HD1H331B | 330 | 10x16 | .90 | .689 | .626 | 500 | .569 |
| | 667—EEU-HD1H471B | 470 | 10x20 | 1.06 | .813 | .739 | 500 | .672 |
| | 667—EEU-HD1H561SB | 560 | 16x15 | 1.79 | 1.38 | 1.25 | 250 | 1.14 |
| | 667—EEU-HD1H681SB | 680 | 16x15 | 1.79 | 1.38 | 1.25 | 250 | 1.14 |
| | 667—EEU-HD1H102B | 100 | 12.5x25 | 1.91 | 1.47 | 1.34 | 500 | 1.22 |



Bulk

For quantities greater than listed, call for quote.

| MOUSER STOCK NO. | | Value (μF) | Dim. (øDxL) (mm) | Price Each | | | |
|------------------|-----------------|------------|------------------|------------|------|------|------|
| Mfr. | Mfr. Part No. | | | 1 | 50 | 100 | 500 |
| 10V | | | | | | | |
| | 667—EEU-HD1A331 | 330 | 6.3x11.2 | .42 | .325 | .295 | .268 |
| | 667—EEU-HD1A471 | 470 | 8x11.5 | .54 | .415 | .377 | .343 |
| | 667—EEU-HD1A102 | 1000 | 10x12.5 | .85 | .653 | .594 | .54 |
| | 667—EEU-HD1A222 | 2200 | 10x16 | .90 | .689 | .626 | .569 |
| | 667—EEU-HD1A472 | 4700 | 12.5x20 | 1.59 | 1.22 | 1.11 | 1.01 |
| | 667—EEU-HD1A682 | 6800 | 12.5x25 | 1.91 | 1.47 | 1.34 | 1.22 |
| | 667—EEU-HD1A103 | 10000 | 16x25 | 2.46 | 1.89 | 1.72 | 1.56 |
| | 667—EEU-HD1A153 | 15000 | 16x31.5 | 3.00 | 2.31 | 2.10 | 1.91 |
| | 667—EEU-HD1A223 | 22000 | 18x35.5 | 3.80 | 2.92 | 2.65 | 2.41 |
| 16V | | | | | | | |
| | 667—EEU-HD1C101 | 100 | 5x11 | .25 | .19 | .173 | .157 |
| | 667—EEU-HD1C221 | 220 | 6.3x11.2 | .42 | .325 | .295 | .268 |
| | 667—EEU-HD1C331 | 330 | 8x11.5 | .54 | .415 | .377 | .343 |
| | 667—EEU-HD1C471 | 470 | 8x11.5 | .54 | .415 | .377 | .343 |
| | 667—EEU-HD1C332 | 3300 | 12.5x20 | 1.59 | 1.22 | 1.11 | 1.01 |
| | 667—EEU-HD1C472 | 4700 | 12.5x25 | 1.91 | 1.47 | 1.34 | 1.22 |
| | 667—EEU-HD1C682 | 6800 | 16x25 | 2.46 | 1.89 | 1.72 | 1.56 |
| | 667—EEU-HD1C822 | 8200 | 16x25 | 2.46 | 1.89 | 1.72 | 1.56 |
| | 667—EEU-HD1C103 | 10000 | 16x31.5 | 3.00 | 2.31 | 2.10 | 1.91 |
| | 667—EEU-HD1C153 | 15000 | 18x35.5 | 3.80 | 2.92 | 2.65 | 2.41 |
| 25V | | | | | | | |
| | 667—EEU-HD1E470 | 47 | 5x11 | .25 | .19 | .173 | .157 |
| | 667—EEU-HD1E680 | 68 | 5x11 | .25 | .19 | .173 | .157 |
| | 667—EEU-HD1E101 | 100 | 6.3x11.2 | .42 | .325 | .295 | .268 |
| | 667—EEU-HD1E221 | 220 | 8x11.5 | .54 | .415 | .377 | .343 |
| | 667—EEU-HD1E331 | 330 | 8x11.5 | .54 | .415 | .377 | .343 |
| | 667—EEU-HD1E471 | 470 | 10x12.5 | .85 | .653 | .594 | .54 |
| | 667—EEU-HD1E102 | 1000 | 10x16 | .90 | .689 | .626 | .569 |
| | 667—EEU-HD1E222 | 2200 | 12.5x20 | 1.59 | 1.22 | 1.11 | 1.01 |
| | 667—EEU-HD1E332 | 3300 | 12.5x25 | 1.91 | 1.47 | 1.34 | 1.22 |
| | 667—EEU-HD1E472 | 4700 | 16x25 | 2.46 | 1.89 | 1.72 | 1.56 |
| | 667—EEU-HD1E562 | 5600 | 16x25 | 2.46 | 1.89 | 1.72 | 1.56 |
| | 667—EEU-HD1E682 | 6800 | 16x25 | 3.00 | 2.31 | 2.10 | 1.91 |
| | 667—EEU-HD1E103 | 10000 | 18x35.5 | 3.80 | 2.92 | 2.65 | 2.41 |
| 35V | | | | | | | |
| | 667—EEU-HD1V470 | 47 | 5x11 | .25 | .19 | .173 | .157 |
| | 667—EEU-HD1V101 | 100 | 6.3x11.2 | .42 | .325 | .295 | .268 |
| | 667—EEU-HD1V221 | 220 | 8x11.5 | .54 | .415 | .377 | .343 |
| | 667—EEU-HD1V331 | 330 | 10x12.5 | .85 | .653 | .594 | .54 |
| | 667—EEU-HD1V471 | 470 | 10x16 | .90 | .689 | .626 | .569 |
| | 667—EEU-HD1V681 | 680 | 10x16 | .90 | .689 | .626 | .569 |
| | 667—EEU-HD1V222 | 2200 | 12.5x25 | 1.91 | 1.47 | 1.34 | 1.22 |
| | 667—EEU-HD1V332 | 3300 | 16x25 | 2.46 | 1.89 | 1.72 | 1.56 |
| | 667—EEU-HD1V472 | 4700 | 16x31.5 | 3.00 | 2.31 | 2.10 | 1.91 |
| | 667—EEU-HD1V682 | 6800 | 18x35.5 | 3.80 | 2.92 | 2.65 | 2.41 |
| 50V | | | | | | | |
| | 667—EEU-HD1HR10 | 0.1 | 5x11 | .25 | .19 | .173 | .157 |
| | 667—EEU-HD1HR22 | 0.22 | 5x11 | .25 | .19 | .173 | .157 |
| | 667—EEU-HD1HR33 | 0.33 | 5x11 | .25 | .19 | .173 | .157 |
| | 667—EEU-HD1HR47 | 0.47 | 5x11 | .25 | .19 | .173 | .157 |
| | 667—EEU-HD1H1R0 | 1 | 5x11 | .25 | .19 | .173 | .157 |
| | 667—EEU-HD1H2R2 | 2.2 | 5x11 | .25 | .19 | .173 | .157 |
| | 667—EEU-HD1H3R3 | 3.3 | 5x11 | .25 | .19 | .173 | .157 |
| | 667—EEU-HD1H4R7 | 4.7 | 5x11 | .25 | .19 | .173 | .157 |
| | 667—EEU-HD1H100 | 10 | 5x11 | .25 | .19 | .173 | .157 |
| | 667—EEU-HD1H220 | 22 | 5x11 | .25 | .19 | .173 | .157 |
| | 667—EEU-HD1H330 | 33 | 5x11 | .25 | .19 | .173 | .157 |
| | 667—EEU-HD1H470 | 47 | 6.3x11.2 | .42 | .325 | .295 | .268 |
| | 667—EEU-HD1H680 | 68</ | | | | | |