

# PANASONIC Radial Aluminum Electrolytic EEU-FR Panasonic

RoHS Compliant This product is RoHS compliant.

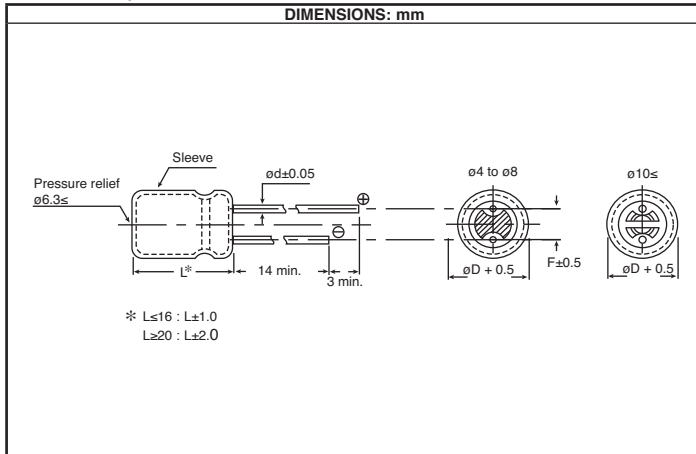
## FR SERIES - TYPE A (BULK)

### Features:

- Low ESR
- Endurance: 2000h to 10000h at +105°C

### Specification:

- Category temperature range: -40°C to +105°C
- Rated W.V. range: 6.3VDC to 50VDC
- Category range: 22μF to 8200μF
- Capacitance tolerance: ±20% (120 Hz/+20°C)
- DC leakage current: I < 0.01CV (μA) after 2 minutes



W.V.(V.DC)	Cap (μF)	Frequency (Hz)				
		60	120	1K	10K	100K
6.3 to 50	22 to 33	0.45	0.55	0.75	0.90	1.00
	47 to 330	0.60	0.70	0.85	0.95	1.00
	390 to 1000	0.65	0.75	0.90	0.98	1.00
	1200 to 8200	0.75	0.80	0.95	1.00	1.00

Panasonic Aluminum Caps, Leaded

For quantities greater than listed, call for quote.

MOUSER STOCK NO.	Panasonic Part No.	Value (μF)	Voltage (VDC)	Dimensions (DxL) (mm)	Price Each		
					1	100	200
667-EEU-FR0J151	EEU-FR0J151	150	6.3	5x11	.33	.126	.107
667-EEU-FR0J331	EEU-FR0J331	330	6.3	6.3x11.2	.33	.139	.121
667-EEU-FR0J471	EEU-FR0J471	470	6.3	6.3x11.2	.14	.101	.092
667-EEU-FR0J821	EEU-FR0J821	820	6.3	8x11.5	.49	.229	.199
667-EEU-FR0J122L	EEU-FR0J122L	1200	6.3	8x15	.61	.282	.245
667-EEU-FR0J122	EEU-FR0J122	1200	6.3	10x12.5	.64	.321	.287
667-EEU-FR0J152L	EEU-FR0J152L	1500	6.3	8x20	.64	.321	.287
667-EEU-FR0J182	EEU-FR0J182	1800	6.3	10x16	.71	.356	.319
667-EEU-FR0J222	EEU-FR0J222	2200	6.3	10x20	.81	.407	.365
667-EEU-FR0J272L	EEU-FR0J272L	2700	6.3	10x25	.94	.512	.454
667-EEU-FR0J392	EEU-FR0J392	3900	6.3	12.5x20	1.01	.595	.522
667-EEU-FR0J472	EEU-FR0J472	4700	6.3	12.5x25	1.18	.698	.612
667-EEU-FR0J562L	EEU-FR0J562L	5600	6.3	12.5x30	1.43	.844	.741
667-EEU-FR0J682L	EEU-FR0J682L	6800	6.3	12.5x35	1.58	.936	.822
667-EEU-FR0J682S	EEU-FR0J682S	6800	6.3	16x20	1.68	.991	.87
667-EEU-FR0J822	EEU-FR0J822	8200	6.3	16x25	1.78	1.09	.966
667-EEU-FR1A101	EEU-FR1A101	100	10	5x11	.33	.126	.107
667-EEU-FR1A151	EEU-FR1A151	150	10	5x11	.33	.126	.107
667-EEU-FR1A221	EEU-FR1A221	220	10	6.3x11.2	.33	.139	.121
667-EEU-FR1A681	EEU-FR1A681	680	10	8x11.5	.49	.229	.199
667-EEU-FR1A821	EEU-FR1A821	820	10	10x12.5	.64	.321	.287
667-EEU-FR1A102L	EEU-FR1A102L	1000	10	8x15	.61	.282	.245
667-EEU-FR1A152L	EEU-FR1A152L	1500	10	8x20	.71	.33	.287
667-EEU-FR1A152	EEU-FR1A152	1500	10	10x16	.71	.356	.319
667-EEU-FR1A182	EEU-FR1A182	1800	10	10x20	.81	.407	.365
667-EEU-FR1A222L	EEU-FR1A222L	2200	10	10x25	.94	.512	.454
667-EEU-FR1A332	EEU-FR1A332	3300	10	12.5x20	1.01	.595	.522
667-EEU-FR1A392	EEU-FR1A392	3900	10	12.5x25	1.18	.698	.612
667-EEU-FR1A472L	EEU-FR1A472L	4700	10	12.5x30	1.43	.844	.741
667-EEU-FR1A472S	EEU-FR1A472S	4700	10	16x20	1.68	.991	.87
667-EEU-FR1A562L	EEU-FR1A562L	5600	10	12.5x35	1.58	.936	.822
667-EEU-FR1A682L	EEU-FR1A682L	6800	10	12.5x35	1.64	.973	.854
667-EEU-FR1A682S	EEU-FR1A682S	6800	10	16x25	1.78	1.09	.966
667-EEU-FR1C680	EEU-FR1C680	68	16	5x11	.33	.126	.107
667-EEU-FR1C101	EEU-FR1C101	100	16	5x11	.33	.126	.107
667-EEU-FR1C121	EEU-FR1C121	120	16	6.3x11.2	.33	.139	.121
667-EEU-FR1C221	EEU-FR1C221	220	16	6.3x11.2	.33	.139	.121
667-EEU-FR1C471	EEU-FR1C471	470	16	8x11.5	.49	.229	.199
667-EEU-FR1C681L	EEU-FR1C681L	680	16	8x15	.61	.282	.245
667-EEU-FR1C681	EEU-FR1C681	680	16	10x12.5	.64	.321	.287
667-EEU-FR1C102L	EEU-FR1C102L	1000	16	8x20	.71	.33	.287
667-EEU-FR1C102	EEU-FR1C102	1000	16	10x16	.71	.356	.319
667-EEU-FR1C152	EEU-FR1C152	1500	16	10x20	.81	.407	.365
667-EEU-FR1C152L	EEU-FR1C152L	1500	16	10x25	.94	.512	.454
667-EEU-FR1C182L	EEU-FR1C182L	1800	16	10x25	.94	.512	.454
667-EEU-FR1C222	EEU-FR1C222	2200	16	12.5x20	1.01	.595	.522
667-EEU-FR1C272	EEU-FR1C272	2700	16	12.5x25	1.18	.698	.612
667-EEU-FR1C332L	EEU-FR1C332L	3300	16	12.5x30	1.43	.844	.741
667-EEU-FR1C332S	EEU-FR1C332S	3300	16	16x20	1.68	.991	.87
667-EEU-FR1C392L	EEU-FR1C392L	3900	16	12.5x35	1.58	.936	.822
667-EEU-FR1C392S	EEU-FR1C392S	3900	16	16x20	1.68	.991	.87
667-EEU-FR1C472L	EEU-FR1C472L	4700	16	12.5x35	1.64	.973	.854
667-EEU-FR1C472	EEU-FR1C472	4700	16	16x25	1.78	1.09	.966
667-EEU-FR1C562	EEU-FR1C562	5600	16	16x25	1.86	1.10	.966
667-EEU-FR1E470	EEU-FR1E470	47	25	5x11	.33	.126	.107
667-EEU-FR1E680	EEU-FR1E680	68	25	5x11	.33	.126	.107
667-EEU-FR1E101	EEU-FR1E101	100	25	6.3x11.2	.33	.139	.121
667-EEU-FR1E151	EEU-FR1E151	150	25	6.3x11.2	.33	.139	.121
667-EEU-FR1E331	EEU-FR1E331	330	25	8x11.5	.49	.229	.199
667-EEU-FR1E391L	EEU-FR1E391L	390	25	8x15	.61	.282	.245
667-EEU-FR1E471Y	EEU-FR1E471Y	470	25	8x15	.66	.308	.268
667-EEU-FR1E471L	EEU-FR1E471L	470	25	8x20	.71	.33	.287
667-EEU-FR1E471	EEU-FR1E471	470	25	10x12.5	.64	.321	.287
667-EEU-FR1E561L	EEU-FR1E561L	560	25	8x20	.71	.33	.287
667-EEU-FR1E681L	EEU-FR1E681L	680	25	8x20	.71	.33	.287
667-EEU-FR1E681	EEU-FR1E681	680	25	10x16	.71	.356	.319

For quantities greater than listed, call for quote.

MOUSER STOCK NO.	Panasonic Part No.	Value (μF)	Voltage (VDC)	Dimensions (DxL) (mm)	Price Each		
					1	100	200
667-EEU-FR1E821	EEU-FR1E821	820	25	10x20	.81	.407	.365
667-EEU-FR1E102	EEU-FR1E102	1000	25	10x20	.91	.493	.437
667-EEU-FR1E102L	EEU-FR1E102L	1000	25	10x25	.94	.512	.454
667-EEU-FR1E122L	EEU-FR1E122L	1200	25	10x25	.94	.512	.454
667-EEU-FR1E152	EEU-FR1E152	1500	25	12.5x20	1.01	.595	.522
667-EEU-FR1E182	EEU-FR1E182	1800	25	12.5x25	1.18	.698	.612
667-EEU-FR1E222L	EEU-FR1E222L	2200	25	12.5x30	1.43	.844	.741
667-EEU-FR1E222S	EEU-FR1E222S	2200	25	16x20	1.68	.991	.87
667-EEU-FR1E272L	EEU-FR1E272L	2700	25	12.5x35	1.58	.936	.822
667-EEU-FR1E272S	EEU-FR1E272S	2700	25	16x20	1.68	.991	.87
667-EEU-FR1E332	EEU-FR1E332	3300	25	16x25	1.78	1.09	.966
667-EEU-FR1V330	EEU-FR1V330	33	35	5x11	.33	.126	.107
667-EEU-FR1V680	EEU-FR1V680	68	35	6.3x11.2	.33	.139	.121
667-EEU-FR1V181	EEU-FR1V181	180	35	8x11.5	.49	.229	.199
667-EEU-FR1V271L	EEU-FR1V271L	270	35	8x15	.61	.282	.245
667-EEU-FR1V271	EEU-FR1V271	270	35	10x12.5	.64	.321	.287
667-EEU-FR1V391L	EEU-FR1V391L	390	35	8x20	.71	.33	.287
667-EEU-FR1V471L	EEU-FR1V471L	470	35	8x20	.71	.33	.287
667-EEU-FR1V471	EEU-FR1V471	470	35	10x16	.71	.356	.319
667-EEU-FR1V561	EEU-FR1V561	560	35	10x20	.81	.407	.365
667-EEU-FR1V681L	EEU-FR1V681L	680	35	10x25	.91	.493	.437
667-EEU-FR1V821L	EEU-FR1V821L	820	35	10x25	.94	.512	.454
667-EEU-FR1V102	EEU-FR1V102	1000	35	12.5x20	1.01	.595	.522
667-EEU-FR1V122	EEU-FR1V122	1200	35	12.5x25	1.18	.698	.612
667-EEU-FR1V152L	EEU-FR1V152L	1500	35	12.5x30	1.43	.844	.741
667-EEU-FR1V152S	EEU-FR1V152S	1500	35	16x20	1.74	1.02	.902
667-EEU-FR1V182L	EEU-FR1V182L	1800	35	12.5x35	1.58	.936	.822
667-EEU-FR1V222L	EEU-FR1V222L	2200	35	12.5x35	1.64	.973	.854
667-EEU-FR1V222	EEU-FR1V222	2200	35	16x25	1.78	1.09	.966
667-EEU-FR1H220	EEU-FR1H220	22	50	5x11.5	.33	.126	.107
667-EEU-FR1H560	EEU-FR1H560	56	50	6.3x11.2	.33	.139	.121
667-EEU-FR1H101	EEU-FR1H101	100	50	8x11.5	.49	.229	.199
667-EEU-FR1H121L	EEU-FR1H121L	120	50	8x15	.61	.282	.245
667-EEU-FR1H151	EEU-FR1H151	150	50	10x12.5	.63	.316	.283
667-EEU-FR1H181L	EEU-FR1H181L	180	50	8x20	.71	.33	.287
667-EEU-FR1H221	EEU-FR1H221	220	50	10x16	.71	.356	.319
667-EEU-FR1H271	EEU-FR1H271	270	50	10x20	.81	.407	.365
667-EEU-FR1H331L	EEU-FR1H331L	330	50	10x25	.94	.512	.454
667-EEU-FR1H471	EEU-FR1H471	470	50	12.5x20	1.01	.595	.522
667-EEU-FR1H561	EEU-FR1H561	560	50	12.5x25	1.18	.698	.612
667-EEU-FR1H681L	EEU-FR1H681L	680	50	12.5x30	1.43	.844	.741
667-EEU-FR1H821L	EEU-FR1H821L	820	50	12.5x35	1.58	.936	.822
667-EEU-FR1H821S	EEU-FR1H821S	820	50	16x20	1.74	1.02	.902
667-EEU-FR1H102	EEU-FR1H102	1000	50	16x25	1.78	1.09	.966
667-EEU-FR1J180	EEU-FR1J180	18	63	5x11	.12	.085	.077
667-EEU-FR1J470	EEU-FR1J470	47	63	6.3x11.2	.15	.107	.097
667-EEU-FR1J820	EEU-FR1J820	82	63	8x11.5	.28	.195	.177
667-EEU-FR1J101L	EEU-FR1J101L	100	63	8x20	.36	.25	.227
667-EEU-FR1J101	EEU-FR1J101	100	63	10x16	.44	.305	.277
667-EEU-FR1J121L	EEU-FR1J121L	120	63	8x20	.38	.267	.243
667-EEU-FR1J121	EEU-FR1J121	120	63	10x16	.48	.337	.306
667-EEU-FR1J151L	EEU-FR1J151L	150	63	8x20	.38	.267	.243
667-EEU-FR1J151	EEU-FR1J151	150	63	10x16	.48	.337	.306
667-EEU-FR1J181	EEU-FR1J181	180	63	10x20	.69	.485	.441
667-EEU-FR1J221L	EEU-FR1J221L	220	63	10x25	.69	.481	.437
667-EEU-FR1J271U	EEU-FR1J271U	270	63	10x20	.69	.485	.441