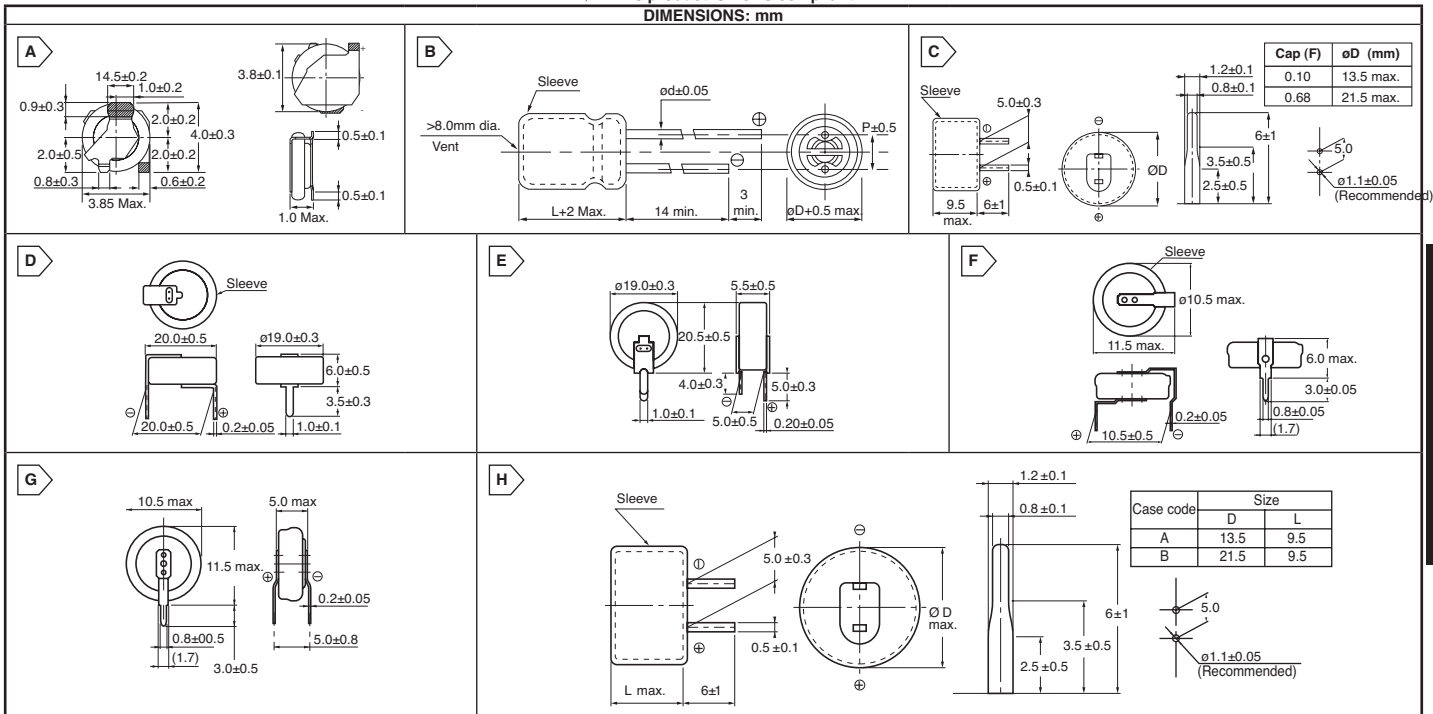


PANASONIC Electric Double Layer Capacitors



This product is RoHS compliant.



Supercapacitors Panasonic

EP SERIES THIN TYPE SMD

- Features:**
- The industries minimum size 1.0 mm in height
 - Endurance: +60°C 250h
- Specifications:**
- Temp. Range: -10°C - 60°C
 - Max Operating Voltage: 3.3VDC
- Recommended Applications:**
- RTC back-up in thin and light devices such as mobile phones, smart phones and tablet PC



For quantities greater than listed, call for quote.

MOUSER STOCK NO.	Panasonic Part No.	Fig.	Value (Farads)	Internal Resistance (Ω @ 1KHz)	Maximum Discharging Current (μA)	Price Each			
						1	100	500	5000
667-EEC-EP0F303Y	EEC-EP0F303Y	A	0.03	≤350	5	2.29	1.60	1.46	.937

THRU HOLE CAPACITORS

EEC-HZ Series

- Features:**
- Miniaturized, high withstand voltage
 - Can be discharged mA or more current
- Specifications:**
- Temp. Range: -25°C - 60°C
 - Max. Operating Voltage: 2.5VDC
 - Nominal Cap. Range: 3.3F, 4.7F, 10F
 - Capacitance Tolerance: -20% to +40%
- Recommended Applications:**
- Solar battery operated circuits
 - Back up power suppliers (UPS)

For quantities greater than listed, call for quote.

MOUSER STOCK NO.	Panasonic Part No.	Fig.	Value (Farads)	Internal Resistance (Ω @ 1KHz)	Dimensions: mm				Price Each			
					Diameter	Length	Lead Diameter	Lead Space	1	25	100	500
667-EEC-HZ0E335	EECHZ0E335	B	3.3	≤0.3	8	20	0.6	3.5	3.34	2.36	2.06	1.57
667-EEC-HZ0E475	EECHZ0E475	B	4.7	≤0.3	10	20	0.6	5.0	3.17	2.20	1.99	1.48
667-EEC-HZ0E106	EECHZ0E106	B	10	≤0.2	10	20	0.6	5.0	4.12	2.86	2.59	1.92

STACKED COIN CAPACITORS

RF Series

- Features:**
- Endurance: 85°C 2000h
 - Can be discharged mA current
- Recommended Applications:**
- Backup of data/RTC or base station, electronic meter, and industrial equipment
 - For assist of rapid load charge

For quantities greater than listed, call for quote.

MOUSER STOCK NO.	Panasonic Part No.	Fig.	Value (Farads)	Internal Resistance (Ω @ 1KHz)	Recommended Discharge Rate (Max. mA)	Terminal Style	Price Each			
							1	25	100	500
667-EEC-RF0H684	EECRF0H684	C	0.68	≤20	20	-	6.01	4.69	4.08	3.36

RG Series

- Features:**
- Miniaturized, high withstand voltage
 - Can be discharge mA or more current
- Specifications:**
- Temperature Range: -25°C to +85°C



For quantities greater than listed, call for quote.

MOUSER STOCK NO.	Panasonic Part No.	Fig.	Value (Farads)	Internal Resistance (Ω @ 1KHz)	Recommended Discharge Rate (Max. mA)	Terminal Style	Price Each			
							1	25	100	500
667-EEC-RG0V105H	EECRG0V105H	D	1.0	≤20	20	H	4.18	3.26	2.84	2.34
667-EEC-RG0V105V	EECRG0V105V	E	1.0	≤20	20	V	4.18	3.26	2.84	2.34
667-EEC-RG0V224H	EECRG0V224H	F	0.22	≤50	1 or less	H	1.73	1.47	1.21	.949
667-EEC-RG0V224V	EECRG0V224V	G	0.22	≤50	1 or less	V	1.73	1.47	1.21	.949

F Series

- Features:**
- Endurance: +85°C 1000h
- Specifications:**
- Temperature Range: -25°C to +85°C
 - Maximum Operating Voltage: 5.5VDC
 - Nominal Cap. Range: 0.033F to 1.0F

For quantities greater than listed, call for quote.

MOUSER STOCK NO.	Panasonic Part No.	Fig.	Value (Farads)	Internal Resistance (Ω @ 1KHz)	Recommended Discharge Rate (Max. mA)	Terminal Style	Price Each			
							1	25	100	500
667-EEC-F5R5H473	EECF5R5H473	H	0.047	≤120	.0379 ~ .0846	-	3.07	2.17	1.89	1.44
667-EEC-F5R5H104	EECF5R5H104	H	0.1	≤100	.08 ~ .018	-	3.17	2.24	1.95	1.49
667-EEC-F5R5H474	EECF5R5H474	H	0.47	≤75	.376 ~ .0846	-	5.49	4.28	3.73	3.07
667-EEC-F5R5H684	EECF5R5H684	H	0.68	≤50	.476 ~ 1.224	-	5.67	4.42	3.85	3.17
667-EEC-F5R5H105	EECF5R5H105	H	1.0	≤50	.8 ~ 1.8	-	5.85	4.56	3.97	3.27