

## IMOD SERIES

### Features:

- Individually balanced cells
- IP-54 rated
- Threaded, protected terminals
- Endurance: 1000h @ 65°C
- Operating Temperature Range: -40°C to +65°C

### Applications:

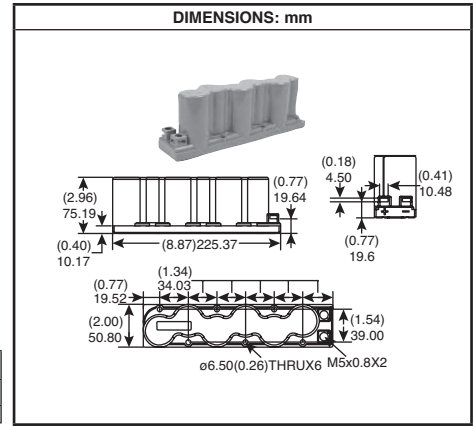
- Wind turbine pitch control
- Starting systems
- Automotive subsystems
- Backup power/UPS
- Ride through/power conditioning
- Renewable energy systems



RoHS Compliant

For quantities greater than listed, call for quote.

MOUSER STOCK NO.	IOXUS Part No.	Volt	Capacitance (F)	ESR (DC) mΩ	Max. Leakage Current (mA)	Price Each	
						1	5
920-IMOD016V058FP1M	iMOD016V058FP1M-00A	16	58	≤23	<25 (72h)	175.00	165.00



## SNAP-IN ULTRACAPACITOR

### Features:

- Made in the USA
- High energy density
- High power density
- Low internal resistance (ESR)
- 10 year life
- High cycle life (+500K cycles)
- Operating Temperature Range: -40°C to +65°C

### Applications:

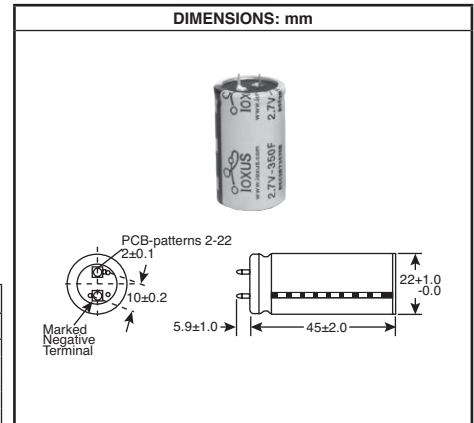
- Back-up Power
- Pulse Power
- Automotive Subsystems
- Portable Power Tools
- Renewable Energy Systems



RoHS Compliant

For quantities greater than listed, call for quote.

MOUSER STOCK NO.	IOXUS Part No.	Volt	Capacitance (F)	ESR (DC) mΩ	Max. Leakage Current (mA)	Price Each			
						1	5	10	25
920-RSC2R7107SR	RSC2R7107SR	2.7	100	≥0.60	0.27 (72h)	10.70	10.40	10.10	9.70
920-RSC2R7357S4	RSC2R7357S4	2.7	350	2.7	1	11.50	11.14	10.80	10.32
920-RSC2R7357SR	RSC2R7357SR	2.7	350	≥3.2	1.0 (72h)	14.67	14.45	14.22	13.91
920-RSC2R7407SR	RSC2R7407SR	2.7	400	≥3.2	1.2 (72h)	17.26	16.89	16.53	14.66
920-RSC2R7607SR	RSC2R7607SR	2.7	600	≥3.2	1.5 (72h)	62.02	60.67	59.38	52.66



## SNAP-IN HYBRID CAPACITOR

### Features:

- Made in the USA
- High energy density
- High power density
- Low internal resistance (ESR)
- High cycle life (20K + cycles)
- Operating Temperature Range: -25°C to +60°C

### Applications:

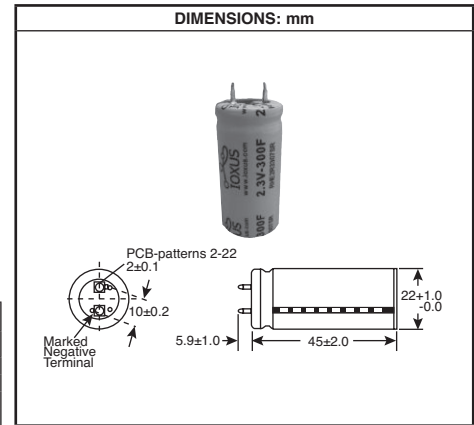
- Flashlights
- Solar / LED Lighting
- Memory Back-up
- Portable Hand Tools



RoHS Compliant

For quantities greater than listed, call for quote.

MOUSER STOCK NO.	IOXUS Part No.	Volt	Capacitance (F)	ESR (DC) mΩ	Max. Leakage Current (mA)	Price Each			
						1	5	10	25
920-RHE2R3227SR	RHE2R3227SR	2.3	220	≥45	0.27 (72h)	10.46	10.00	9.57	8.80
920-RHE2R3307SR	RHE2R3307SR	2.3	300	≥35	0.55 (72h)	12.44	11.88	11.38	10.09
920-RHE2R3827SR	RHE2R3827SR	2.3	820	12	0.5	32.95	31.90	30.92	29.55
920-RHE2R3108SR	RHE2R3108SR	2.3	1000	≥0.14	0.7 (72h)	57.44	54.88	52.55	46.60



## SCREW TERMINAL EDLC

### Features:

- Made in the USA
- High energy density
- High power density
- Low internal resistance (ESR)
- 10 year life
- High cycle life (+500K cycles)
- Operating Temperature Range: -40°C to +65°C

### Applications:

- Back-up Power
- Pulse Power
- Automotive Subsystems
- Portable Power Tools
- Renewable Energy Systems



RoHS Compliant

For quantities greater than listed, call for quote.

MOUSER STOCK NO.	IOXUS Part No.	Volt	Capacitance (F)	ESR (DC) mΩ	Max. Leakage Current (mA)	Price Each			
						1	5	10	25
920-RSC2R7357ST	RSC2R7357ST	2.7	350	≥2.5	1.0 (72h)	17.51	17.13	16.76	14.86
920-RSC2R7407ST	RSC2R7407ST	2.7	400	≥2.5	1.2 (72h)	18.82	18.41	18.02	15.98

