

KEMET Electrolytic Capacitors

The Capacitance Company

KEMET

CHARGED!

ROHS Compliant This product is ROHS compliant.

ELG AND ELH SERIES SNAP-IN ELECTROLYTIC CAPACITORS

- Features:**
- High reliability
 - Low ESR
 - Tolerance: 20%
- Applications:**
- Industrial/Professional power electronics.
 - Welding machine

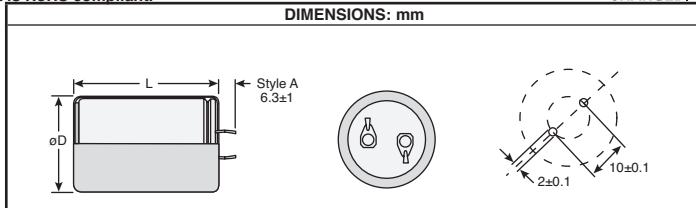
- ELG Specification:**
- Temperature range: -40°C to +105°C
 - Motor drives traction
 - Battery chargers.
 - S.M.P.S.

- ELH Specification:**
- Temperature range: -40°C to +85°C
 - U.P.S.
 - Inverters converters



For quantities greater than listed, call for quote.

MOUSER STOCK NO.		Case Size (mm)	Volt	Value (µF)	Price Each		
Mfr.	Mfr. Part No.				1	25	50
ELG Series 105°							
80	ELG228M063AR2AJ	25x30	63	2200	2.68	2.30	1.91
80	ELG108M100AR2AA	25x30	100	1000	3.12	2.67	2.23
80	ELG108M100VR2AA	25x30	100	1000	3.94	2.61	2.44
80	ELG687M200AQ6AA	22x50	200	680	4.51	3.86	3.22
80	ELG108M200AS4AA	30x40	200	1000	5.30	4.86	4.42
80	ELG108M250AT4AA	35x40	250	1000	6.38	5.11	4.60
80	ELG158M250AT6AA	35x50	250	1500	9.02	7.22	6.49
80	ELG686M400AQ1AA	22x25	400	68	2.38	2.04	1.70
80	ELG107M400AQ3AA	22x35	400	100	2.97	2.55	2.12
80	ELG157M400AQ3AA	22x35	400	150	3.83	3.28	2.74
80	ELG337M400AT3AA	35x35	400	330	6.13	4.91	4.42
80	ELG477M400AT5AA	35x45	400	470	8.01	6.41	5.77
80	ELG107M450AR2AA	25x30	450	100	3.52	3.02	2.51
80	ELG477M450AT6AA	35x50	450	470	10.18	8.15	7.33



For quantities greater than listed, call for quote.

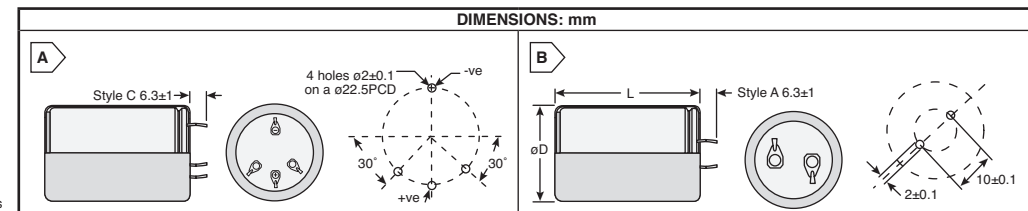
MOUSER STOCK NO.		Case Size (mm)	Volt	Value (µF)	Price Each		
Mfr.	Mfr. Part No.				1	25	50
ELH Series 85°							
80	ELH228M050AQ1AA	22x25	50	2200	1.74	1.49	1.25
80	ELH478M080AS3AA	30x35	50	4700	6.85	5.87	4.89
80	ELH109M050AS5AA	30x45	50	10000	5.50	4.72	3.93
80	ELH228M200AT5AA	35x45	200	2200	8.15	6.52	5.87
80	ELH686M400AQ1AA	22x25	400	68	2.43	2.08	1.73
80	ELH107M400AQ2AA	22x30	400	100	2.48	2.13	1.77
80	ELH107M400AR1AA	25x25	400	100	2.72	2.33	1.94
80	ELH337M400AS4AA	30x45	400	330	6.57	5.63	4.69
80	ELH477M400AT4AA	35x40	400	470	6.60	5.28	4.75
80	ELH477M400AS5AA	30x45	400	470	6.83	5.47	4.92
80	ELH477M450AT6AA	35x50	450	470	8.92	7.13	6.42
80	ELH687M450AT8AA	35x60	450	680	12.34	9.87	8.88

KEMET Aluminum Caps, Can

ALC SERIES SNAP-IN ELECTROLYTIC CAPACITORS

- Features:**
- Compact Size
 - High ripple current
 - Excellent surge voltage capabilities
- Applications:**
- High reliability
 - Frequency converters
 - Ideal for industrial and commercial applications

- ALC10 Specification:**
- Long life, 18000 hours
- ALC40 Specification:**
- Long life, 9000 hours
 - UPS system
 - Switch mode power supplies



For quantities greater than listed, call for quote.

MOUSER STOCK NO.		Fig.	Case Size (mm)	Volt	Value (µF)	ESR 100Hz (mΩ)	Price Each		
Mfr.	Mfr. Part No.						1	25	50
ALC10 Series									
80	ALC10C333EF035	A	40 x 50	35	33000	42	15.32	13.46	12.10
80	ALC10A103DC040	B	35 x 35	40	1000	86	7.61	6.32	5.85
80	ALC10C103EC063	A	40 x 35	63	10000	80	12.48	11.00	10.00
80	ALC10C153EF063	A	40 x 50	63	15000	44	16.04	14.67	13.11
80	ALC10A102DF250	B	35 x 50	250	1000	163	9.99	8.12	7.46
80	ALC10C152EG250	A	40x55	250	1500	89	13.80	12.24	11.60
80	ALC10A331DC400	B	35x35	400	330	461	8.82	7.11	6.76
80	ALC10A681DF400	B	35x60	400	680	232	12.32	11.00	10.12
80	ALC10A821DJ400	B	35x70	400	820	208	14.62	12.46	11.12
80	ALC10C102EL400	A	40x80	400	1000	120	18.62	15.88	14.90
80	ALC10A331DD450	B	35x40	450	330	364	9.99	8.12	7.46
80	ALC10C331ED450	A	40x40	450	330	348	11.20	10.00	9.00
80	ALC10A471DF450	B	35x50	450	470	252	11.12	9.33	8.89
80	ALC10A561DF450	B	35x50	450	560	266	13.08	11.37	10.57
80	ALC10A821DJ450	B	35x70	450	820	170	16.80	14.50	13.30

For quantities greater than listed, call for quote.

MOUSER STOCK NO.		Fig.	Case Size (mm)	Volt	Value (µF)	ESR 100Hz (mΩ)	Price Each		
Mfr.	Mfr. Part No.						1	25	50
ALC10 Series (Cont.)									
80	ALC10C102EJ450	A	40x70	450	1000	142	20.54	17.55	16.70
80	ALC10A331DF500	B	35x50	500	330	492	10.42	8.82	8.17
80	ALC10A681DL500	B	35x80	500	680	244	19.66	17.24	16.10
80	ALC10C102EP500	A	40x105	500	1000	130	25.33	21.44	20.70
ALC40 Series									
80	ALC40A331CF400	B	30x50	400	330	383	9.61	8.20	7.10
80	ALC40A331DD400	B	35x40	400	330	386	9.99	8.12	7.46
80	ALC40A331DF450	B	35x50	450	330	206	11.06	9.34	8.88
80	ALC40A471DE400	B	35x45	400	470	300	10.84	9.18	8.60
80	ALC40A471DH450	B	35x60	450	470	232	13.64	11.70	10.91
80	ALC40A681DL400	B	35x80	400	680	200	16.24	13.76	12.88
80	ALC40C102EL400	A	40x80	400	1000	118	20.67	18.00	17.10
80	ALC40C102FL450	A	45x80	450	1000	120	27.51	24.62	22.58
80	ALC40C821EL450	A	40x80	450	820	154	22.40	20.67	19.10

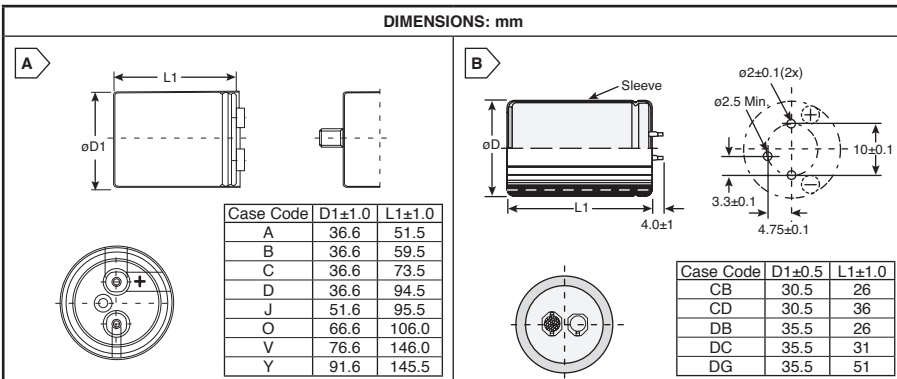
PEH SERIES SNAP-IN ELECTROLYTIC CAPACITORS

PEH169/PEH200 Series

- Features:**
- High Performance
 - Low ESR and ESL
 - High stability
 - High CV-value
 - Compact size
 - Long life > 10 years at 50°C
- Applications:**
- Energy storage
 - Pulse operation
 - Process control
 - AC-motor control
 - Traction
 - Welding

PEH534 Series

- Features:**
- Long life Grade
 - PCB mounting
 - Low ESR and ESL
 - High ripple current
 - Long life > 10 years at 50°C
- Applications:**
- SMPS
 - Drives
 - Welding equipment
 - UPS



For quantities greater than listed, call for quote.

MOUSER STOCK NO.		Fig.	Case Code	Case Size (mm)	Volt	Value (µF)	ESR 100Hz (mΩ)	Price Each		
Mfr.	Mfr. Part No.							1	25	50
PEH169 Series										
80	PEH169MD4470QB2	A	D	35x95	63	4700	22	25.94	22.46	20.72
80	PEH169MJ100QB2	A	J	50x95	63	10000	13	35.65	31.24	29.61
80	PEH169PJ4470QB2	A	J	50x95	100	4700	26	23.24	22.98	22.86
80	PEH169SV448AMB2	A	V	75x145	250	8800	15	136.98	114.15	107.43
PEH200 Series										
80	PEH200KB5100MB2	A	B	35x60	40	10000	23	19.57	16.81	15.27
80	PEH200KC5150MB2	A	C	35x75	40	15000	16	15.08	14.18	14.10
80	PEH200KD5220MB2	A	D	35x95	40	22000	12	25.26	21.51	19.91
80	PEH200KE6100MB2	A	O	65x105	40	100000	8	57.68	52.16	50.60
80	PEH200MA4470MB2	A	A	35x51	63	4700	32	20.01	17.48	16.18

For quantities greater than listed, call for quote.

MOUSER STOCK NO.		Fig.	Case Code	Case Size (mm)	Volt	Value (µF)	ESR 100Hz (mΩ)	Price Each		
Mfr.	Mfr. Part No.							1	25	50
PEH200 Series (Cont.)										
80	PEH200MD5100MB2	A	D	35x95	63	10000	15	16.78	15.82	15.70
80	PEH200MJ5220MB2	A	J	50x95	63	22000	10	26.49	26.21	26.05
80	PEH200OQ427AMB2	A	O	65x105	420	2700	24	83.54	73.22	71.37
80	PEH200YV4470MB2	A	Y	90x145	420	2700	16	200.00	130.12	123.36
PEH534 Series										
80	PEH534VDC3220M2	B	CB	30X35	400	220	460	6.80	6.00	5.43
80	PEH534VCB3150M2	B	CB	30x25	420	2700	680	5.22	4.36	4.17
80	PEH534VDB3150M2	B	DB	35x25	450	150	570	8.46	7.47	7.00
80	PEH534VDC3220M2	B	DC	35X30	450	220	390	8.12	6.90	6.23
80	PEH534VDC3470M2	B	DG	35X50	450	470	180	14.36	12.34	11.49