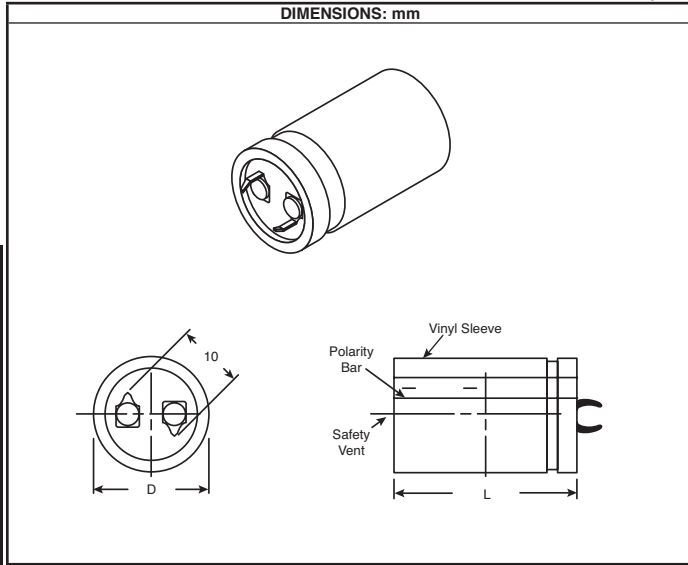


CORNELL DUBILIER Aluminum Electrolytic Capacitors

CDE CORNELL DUBILIER

This product is RoHS compliant.



Cornell Dubilier Aluminum Caps, Can

380LX, 85°C SERIES - HIGH CAPACITANCE SNAPSHOT

- Specifications:**
- Voltage rating: 16VDC to 500VDC
 - Operating temperature: <300V: -40°C to +85°C; ≥350V: -25°C to +85°C
 - Capacitance tolerance: 20%
 - Life test: 3000 hours @ +85°C at full load
 - Leakage current: ≤ 3 √ CV μA at 5 min.
 - EIA ripple life: 3000 hours @ 85°C
- Features:**
- More capacitance per case size
 - Ideal for switching power supply input and output circuits and motor drives

For quantities greater than listed, call for quote.

MOUSER STOCK NO.	CDE Type 380LQ	Value (μF)	Ripple(A) @ 85°C/120Hz	Case D x L (mm)	Price Each		
					1	10	25
25 WVDC							
5985-85-25V6800	682M025H022	6,800	3.50	22 x 30	3.05	2.59	2.31
5985-85-25V10000	103M025H032	10,000	3.80	22 x 35	3.42	3.22	3.12
5985-85-25V22000	223M025J052	22,000	6.10	25 x 50	5.57	5.29	5.12
5985-85-25V47000	473M025A052	47,000	8.00	35 x 50	10.85	9.22	8.24
35 WVDC							
5985-85-35V5600	562M035H022	5,600	3.40	22 x 30	3.09	2.63	2.53
5985-85-35V8200	822M035H042	8,200	4.00	22 x 40	3.49	2.97	2.65
5985-85-35V10000	103M035K022	10,000	4.40	30 x 30	4.39	3.74	3.60
5985-85-35V15000	153M035J052	15,000	5.60	25 x 50	5.15	4.37	4.23
5985-85-35V22000	223M035A042	22,000	6.10	35 x 40	7.85	6.67	5.96
5985-85-35V33000	333M035A052	33,000	7.15	35 x 50	9.90	8.41	8.18
50 WVDC							
5985-85-50V3300	332M050H022	3,300	2.70	22 x 30	2.83	2.40	2.14
5985-85-50V4700	472M050H032	4,700	3.00	22 x 35	3.10	2.64	2.53
5985-85-50V4700J	472M050J022	4,700	3.00	25 x 30	3.27	2.77	2.67
5985-85-50V6800	682M050K022	6,800	3.90	30 x 30	4.25	3.61	3.54
5985-85-50V8200	822M050K032	8,200	4.40	30 x 35	5.17	4.88	4.74
5985-85-50V15000	153M050K052	15,000	6.40	30 x 50	8.05	6.84	6.68
5985-85-50V22000	223M050A052	22,000	7.60	35 x 50	10.15	9.77	8.97
63 WVDC							
5985-85-63V4700	472M063K022	4,700	4.40	30 x 30	4.45	3.77	3.67
5985-85-63V8200	822M063A032	8,200	6.00	35 x 35	10.24	8.19	7.44
5985-85-63V10000	103M063A042	10,000	6.50	35 x 40	10.84	9.83	7.89
5985-85-63V12000	123M063A052	12,000	7.20	35 x 50	10.84	9.83	7.89
100 WVDC							
5985-85-100V1000	102M100H022	1,000	2.00	22 x 30	3.10	2.63	2.55
200 WVDC							
5985-85-200V220	221M200J022	220	0.90	25 x 20	3.74	3.18	3.09
5985-85-200V330	331M200J012	330	1.60	25 x 25	3.50	2.97	2.66
5985-85-200V470	471M200J022	470	1.90	25 x 30	3.60	3.05	2.96
5985-85-200V680	681M200J032	680	2.70	25 x 35	4.55	3.87	3.45
5985-85-200V1200	122M200K452	1,200	3.50	30 x 45	6.53	5.55	4.95
5985-85-200V1500	152M200A042	1,500	3.90	35 x 40	8.45	7.18	6.42
5985-85-200V2200	222M200A052	2,200	4.90	35 x 50	11.05	9.39	9.08
250 WVDC							
5985-85-250V220	221M250H022	220	1.20	22 x 30	2.90	2.47	2.21
5985-85-250V470	471M250J042	470	2.10	25 x 40	4.67	3.98	3.54
5985-85-250V680	681M250A022	680	2.50	35 x 30	8.11	7.84	7.36
5985-85-250V1000	102M250K052	1,000	3.10	30 x 50	8.00	6.80	6.08
5985-85-250V1000A	102M250A042	1,000	3.30	35 x 35	8.50	7.22	7.03
400 WVDC							
5985-85-400V68J	680M400J022	68	0.35	25 x 20	3.05	2.58	2.31
5985-85-400V100	101M400H022	100	0.90	22 x 30	2.98	2.53	2.26
5985-85-400V560A	561M400A052	560	2.70	35 x 50	10.10	8.58	8.29
5985-85-400V680	681M400A052	680	3.00	35 x 50	11.95	10.15	9.07
450 WVDC							
5985-85-450V47	470M450J022	47	0.30	25 x 20	3.10	2.63	2.55
5985-85-450V68	680M450H022	68	0.80	22 x 30	3.25	2.75	2.65
5985-85-450V100	101M450J022	100	0.90	25 x 30	3.55	3.01	2.92
5985-85-450V120	121M450J022	120	1.00	25 x 30	3.83	3.25	3.17
5985-85-450V220	221M450J052	220	1.60	25 x 50	5.70	4.84	4.32
5985-85-450V330	331M450A042	330	2.00	35 x 40	8.48	7.20	6.89
5985-85-450V470	471M450A052	470	2.50	35 x 50	11.15	9.48	9.19

381LQ SERIES, 105°C - COMPACT HIGH RIPPLE SNAP-IN

- Specifications:**
- Voltage rating: 200VDC to 450VDC
 - Operating temperature: <315V: -40°C to +105°C; ≥350V: -25°C to +105°C
 - Capacitance tolerance: 20%
 - Life test: 2000 hours @ 105°C at full load
 - Leakage current: ≤ 3 √ CV μA at 5 min.
 - EIA Ripple life: 8000 hours @ 85°C
- Features:**
- More capacitance per case size
 - Average of 23% smaller and more than 5mm shorter than Type 381LX
 - The 381LQ enables you to shrink equipment size and retain the original performance

For quantities greater than listed, call for quote.

MOUSER STOCK NO.	CDE Type 381LQ	Value (μF)	Ripple(A) @ 105°C/20Hz	Case D x L (mm)	Price Each		
					1	10	25
200 WVDC							
5985-381-200V470	471M200H022	470	2.03	22 x 30	3.60	3.05	2.73
5985-381-200V680	681M200J022	680	2.45	25 x 30	4.50	3.82	3.68
5985-381-200V820	821M200J032	820	2.86	25 x 35	5.25	4.46	3.99
5985-381-200V1000	102M200K022	1000	3.22	30 x 30	6.22	5.29	4.72
5985-381-200V1200	122M200A022	1200	3.71	35 x 30	7.97	6.78	6.49
5985-381-200V1500	152M200K042	1500	3.92	35 x 40	8.47	7.21	6.43
5985-381-200V1800	182M200A042	1800	4.31	35 x 40	11.55	9.82	9.64
5985-381-200V2200	222M200K052	2200	4.87	30 x 50	12.38	10.51	9.40
250 WVDC							
5985-381-250V330	331M250H022	330	1.68	22 x 30	4.82	3.86	3.51
5985-381-250V390	391M250H032	390	1.82	22 x 35	4.30	3.65	3.26
5985-381-250V470	471M250J022	470	1.96	25 x 30	6.41	5.13	4.67
5985-381-250V560	561M250J032	560	2.10	25 x 35	5.45	4.64	4.14
5985-381-250V680	681M250K022	680	2.38	30 x 30	6.05	5.14	4.59
5985-381-250V820	821M250K032	820	2.80	30 x 35	7.00	5.95	5.32
5985-381-250V1000	102M250K042	1000	3.08	30 x 40	8.10	6.88	6.15
5985-381-250V1800	182M250A052	1800	3.78	35 x 50	15.07	12.81	11.45
400 WVDC							
5985-381-400V220	221M400J032	220	1.54	25 x 35	5.12	4.35	4.26
5985-381-400V270	271M400K022	270	1.71	30 x 30	6.45	5.48	4.90
5985-381-400V330	331M400K032	330	2.02	30 x 35	7.40	6.28	5.62
5985-381-400V390	391M400K042	390	2.17	30 x 40	8.78	7.45	6.67
5985-381-400V470	471M400A032	470	2.35	35 x 35	10.30	8.75	8.44
5985-381-400V560	561M400A042	560	2.66	35 x 40	11.37	9.67	8.64
5985-381-400V680	681M400A452	680	2.97	35 x 45	13.10	11.13	10.56
450 WVDC							
5985-381-450V100	101M450H022	100	0.9	22 x 30	3.95	3.35	2.99
5985-381-450V120	121M450H032	120	1.01	22 x 35	4.25	3.61	3.54
5985-381-450V150	151M450J022	150	1.11	25 x 30	5.20	4.42	4.25
5985-381-450V180	181M450K022	180	1.22	30 x 30	6.70	5.69	5.09
5985-381-450V220	221M450K022	220	1.40	30 x 30	7.28	6.18	5.53
5985-381-450V270	271M450K042	270	1.67	30 x 40	8.43	7.16	6.40
5985-381-450V330	331M450A032	330	1.93	35 x 35	9.32	8.97	8.45
5985-381-450V390	391M450A042	390	2.17	35 x 40	10.45	8.87	8.50
5985-381-450V470	471M450A0452	470	2.44	35 x 45	12.25	11.62	11.05
5985-381-450V560	561M450A052	560	2.66	35 x 50	14.71	12.50	11.87
381LX SERIES, 105°C - HIGH RIPPLE SNAP-IN							
Specifications:							
<ul style="list-style-type: none"> Voltage rating: 16VDC to 450VDC Operating temperature: <315V: -40°C to +105°C; ≥350V: -25°C to +105°C Capacitance tolerance: 20% Leakage current: ≤ 3 √ CV μA at 5 min. EIA Ripple life: 12,000 hours @ 85°C 				<p>Features:</p> <ul style="list-style-type: none"> More capacitance per case size 4 times the life of 380LX Series High ripple capability <p>Applications:</p> <ul style="list-style-type: none"> Power supply input and output circuits Motor-drives 			
For quantities greater than listed, call for quote.							
MOUSER STOCK NO.	CDE Type 381LQ	Value (μF)	Ripple(A) @ 105°C/20Hz	Case D x L (mm)	Price Each		
					1	10	25
16 WVDC							
5985-16V10000	103M016J012	10,000	2.60	25 x 25	3.27	2.77	2.67
5985-16V15000	153M016J032	15,000	3.20	25 x 35	4.37	3.97	3.55
25 WVDC							
5985-25V10000	103M025J032	10,000	3.00	25 x 35	3.82	3.25	2.90
5985-25V15000	153M025J452	15,000	3.60	25 x 45	5.09	4.48	4.08
35 WVDC							
5985-35V4700J	472M035J012	4,700	1.60	25 x 25	4.17	3.57	2.79
5985-35V10000	103M035J052	10,000	3.50	25 x 50	5.49	4.46	4.30
5985-35V22000	223M035A052	22,000	5.00	35 x 50	9.31	8.43	7.58
63 WVDC							
5985-63V2200	222M063J022	2,200	2.00	25 x 30	3.22	2.73	2.48
5985-63V10000	103M063A052	10,000	4.40	35 x 50	9.21	8.22	7.05
200 WVDC							
5985-200V220	221M200H012	220	1.00	22 x 25	3.52	2.86	2.61
5985-200V330H	331M200H022	330	1.20	22 x 30	3.80	3.14	2.99
5985-200V330	331M200J012	330	1.20	25 x 25	2.88	2.45	2.41
5985-200V470	471M200J032	470	1.40	25 x 35	3.92	3.33	2.98
5985-200V680	681M200J042	680	1.70	25 x 40	6.10	4.97	4.51
5985-200V680K	681M200K022	680	1.70	30 x 30	4.80	4.21	3.83
5985-200V1000K	102M200K03						