

MURATA EDLC and Polymer Capacitors



DMD AND DME SERIES OF ELECTRICAL DOUBLE LAYER CAPACITORS (EDLC) - SUPERCAPACITORS

Features:

- Small, slim, robust package suitable for portable devices
- Ultra low ESR
- Single and double cell package available
- Maintenance free operation

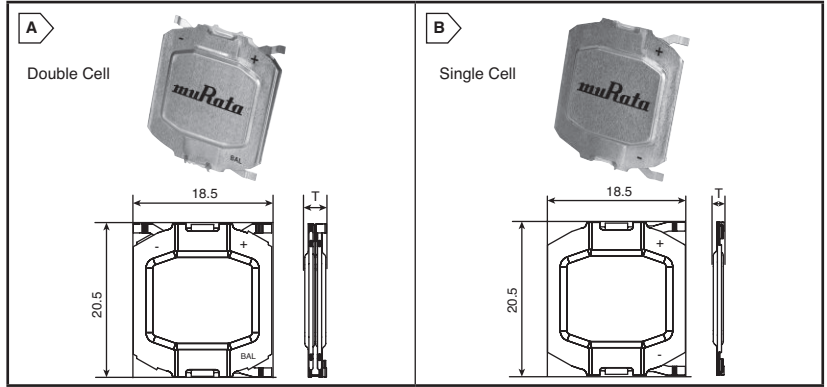


Specifications:

- Dimensions: 20.5mm x 18.5mm x 1.5mm (single cell)
- Capacitance Value: 700mF-single cell & 350mF-double cell
- Capacitance Tolerance: 20%
- Voltage: 2.1V constant, 2.7V peak (single cell)
- Operating Temperature: -30°C to +70°C

Applications:

- Battery Load Assist: POS, smart meters, tablet PC, fuel cells
- Energy Harvesting: micro and macro energy harvesting
- Back Up Assist: UPS, SSD
- Peak Power Assist: LED flash, motors E-paper, cell phones, PA assist, audio circuit



For quantities greater than listed, call for quote.

MOUSER STOCK NO.	Murata Part No.	Fig.	Value (mF)	Voltage (DC)	ESR Max. (mΩ) 1kHz 25°C	T Dimension: (mm)	Max Leakage Current (uA) @ 96 hrs	Price Each			
								1	10	25	50
81-DMD2W4R2L354M3BT	DMD2W4R2L354M3BTA0	A	350	4.2	60	3.0+/-0.3	10	19.99	14.61	13.91	12.80
81-DME2U5R5L354M3BT	DME2U5R5L354M3BTA0	A	350	5.5	60	2.8+/-0.3	10	19.99	14.61	13.91	12.80
81-DMD2E2R1F704M2BT	DMD2E2R1F704M2BTA0	B	700	2.1	30	1.4+/-0.2	10	12.99	9.79	9.32	8.57
81-DME2D2R7F704M2BT	DME2D2R7F704M2BTA0	B	700	2.7	30	1.3+/-0.2	10	12.99	9.79	9.32	8.57

ECAS SERIES - POLYMER ALUMINUM ELECTROLYTIC CAPACITORS

Features:

- Resin molded case structure utilizes multilayer aluminum foil for anode and solid conductive polymer cathode
- High capacitance and Low ESR
- High frequency performance up to 500kHz with low impedance for excellent noise suppression
- No voltage derating required
- Polarity bar (positive) noted on product
- Halogen free epoxy
- MSL 3 packaging

Applications:

- Netbook/Notebook
- Server
- Multi Functional Printer
- Digital TV (LCD/Plasma)
- Audio/Video
- Game Console
- Set Top Box

Specifications:

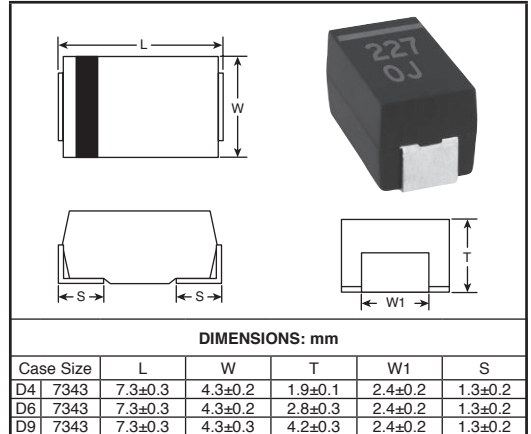
- Operating Temperature: -40°C to 105°C

Typical Characteristics:

- Ripple Absorption
- Decoupling



RoHS Compliant



DIMENSIONS: mm

Case Size	L	W	T	W1	S
D4 7343	7.3±0.3	4.3±0.2	1.9±0.1	2.4±0.2	1.3±0.2
D6 7343	7.3±0.3	4.3±0.2	2.8±0.3	2.4±0.2	1.3±0.2
D9 7343	7.3±0.3	4.3±0.3	4.2±0.3	2.4±0.2	1.3±0.2

For quantities greater than listed, call for quote.

MOUSER STOCK NO.	Murata Part No.	Value (uF)	Voltage (DC)	Case Thickness (mm)	Tol. %	ESR Max. (mΩ) 100kHz +/-25°C	Leakage Current (uA)	Ripple Current 1000kHz +/-20~105°C	Price Each				Reel Qty	Price Per Piece
									1	50	100	500		
81-ECASD40D107M016K0	ECASD40D107M016K00	100	2	1.9±0.1	20	16	8.0	2.0 Arms	1.88	1.38	1.23	1.01	3000	.525
81-ECASD40D157M009K0	ECASD40D157M009K00	150	2	1.9±0.1	20	9	12.0	3.0 Arms	2.26	1.79	1.65	1.37	3000	.744
81-ECASD40D227M009K0	ECASD40D227M009K00	220	2	1.9±0.1	20	9	17.6	3.0 Arms	1.98	1.46	1.30	1.06	3000	.553
81-ECASD60D337M007K0	ECASD60D337M007K00	330	2	2.8±0.3	20	7	26.4	3.5 Arms	3.13	2.48	2.29	1.91	2500	1.03
81-ECASD60D477M006K0	ECASD60D477M006K00	470	2	2.8±0.3	20	6	37.6	3.5 Arms	3.08	2.43	2.25	1.87	2500	1.01
81-ECASD40G686M020K0	ECASD40G686M020K00	68	4	1.9±0.1	20	20	10.9	1.9 Arms	2.26	1.79	1.65	1.37	3000	.744
81-ECASD40G826M016K0	ECASD40G826M016K00	82	4	1.9±0.1	20	16	13.2	2.1 Arms	2.26	1.79	1.65	1.37	3000	.744
81-ECASD40G157M016K0	ECASD40G157M016K00	150	4	1.9±0.1	20	16	24.0	2.1 Arms	2.07	1.53	1.36	1.11	3000	.579
81-ECASD60G187M012K0	ECASD60G187M012K00	180	4	2.8±0.3	20	12	28.8	2.5 Arms	3.40	2.69	2.49	2.07	2500	1.12
81-ECASD60G227M010K0	ECASD60G227M010K00	220	4	2.8±0.3	20	10	35.2	3.0 Arms	2.38	1.88	1.74	1.45	2500	.783
81-ECASD90G337M008K0	ECASD90G337M008K00	330	4	4.2±0.3	20	8	52.8	3.3 Arms	3.96	3.40	3.18	2.63	2500	1.86
81-ECASD40J106M055K0	ECASD40J106M055K00	10	6.3	1.9±0.1	20	55	2.6	1.0 Arms	1.73	1.27	1.13	.931	3000	.483
81-ECASD40J226M045K0	ECASD40J226M045K00	22	6.3	1.9±0.1	20	45	5.6	1.0 Arms	1.96	1.45	1.29	1.06	3000	.55
81-ECASD40J336M025K0	ECASD40J336M025K00	33	6.3	1.9±0.1	20	25	8.4	1.8 Arms	2.35	1.73	1.55	1.26	3000	.658
81-ECASD40J476M025K0	ECASD40J476M025K00	47	6.3	1.9±0.1	20	25	11.9	1.8 Arms	1.88	1.38	1.23	1.01	3000	.525
81-ECASD40J686M015K0	ECASD40J686M015K00	68	6.3	1.9±0.1	20	15	17.2	2.0 Arms	2.25	1.66	1.48	1.21	3000	.63
81-ECASD40J107M015K0	ECASD40J107M015K00	100	6.3	1.9±0.1	20	15	25.2	2.0 Arms	2.46	1.95	1.80	1.50	3000	.81
81-ECASD60J157M010K0	ECASD60J157M010K00	150	6.3	2.8±0.3	20	10	37.8	3.0 Arms	3.28	2.60	2.40	2.00	2500	1.08
81-ECASD60J187M010K0	ECASD60J187M010K00	180	6.3	2.8±0.3	20	10	45.4	3.0 Arms	2.72	2.09	1.90	1.73	2500	1.49
81-ECASD90J227M010K0	ECASD90J227M010K00	220	6.3	4.2±0.3	20	10	55.5	3.0 Arms	3.69	2.92	2.70	2.25	2000	1.21
81-ECASD41A106M055K0	ECASD41A106M055K00	10	10	1.9±0.1	20	55	4.0	1.0 Arms	1.62	1.19	1.06	.873	3000	.453
81-ECASD41A226M028K0	ECASD41A226M028K00	22	10	1.9±0.1	20	28	8.8	1.6 Arms	1.73	1.27	1.13	.931	3000	.483
81-ECASD41A336M025K0	ECASD41A336M025K00	33	10	1.9±0.1	20	25	13.2	1.8 Arms	2.26	1.79	1.65	1.37	3000	.744
81-ECASD41A476M025K0	ECASD41A476M025K00	47	10	1.9±0.1	20	25	18.8	1.8 Arms	1.82	1.40	1.27	1.15	3000	1.00
81-ECASD61A686M015K0	ECASD61A686M015K00	68	10	2.8±0.3	20	15	27.2	2.0 Arms	3.13	2.48	2.29	1.91	2500	1.03
81-ECASD91A107M010K0	ECASD91A107M010K00	100	10	4.2±0.3	20	10	40.0	3.0 Arms	3.70	3.18	2.97	2.46	2000	1.33
81-ECASD91A157M010K0	ECASD91A157M010K00	150	10	4.2±0.3	20	10	60.0	3.0 Arms	5.00	4.30	4.03	3.33	2000	1.80
81-ECASD41B106M055K0	ECASD41B106M055K00	10	12.5	1.9±0.1	20	55	12.5	1.0 Arms	1.70	1.25	1.12	.918	3000	.476
81-ECASD41B156M045K0	ECASD41B156M045K00	15	12.5	1.9±0.1	20	45	18.8	1.0 Arms	2.07	1.53	1.36	1.11	3000	.579
81-ECASD41B226M030K0	ECASD41B226M030K00	22	12.5	1.9±0.1	20	30	27.5	1.6 Arms	1.73	1.27	1.13	.931	3000	.483
81-ECASD41B336M025K0	ECASD41B336M025K00	33	12.5	1.9±0.1	20	25	41.3	1.8 Arms	2.30	1.77	1.61	1.46	3000	1.26
81-ECASD61B336M025K0	ECASD61B336M025K00	33	12.5	2.8±0.3	20	25	41.3	1.8 Arms	3.13	2.48	2.29	1.91	2500	1.03
81-ECASD61B476M020K0	ECASD61B476M020K00	47	12.5	2.8±0.3	20	20	58.8	2.0 Arms	3.24	2.56	2.37	1.97	2500	1.06
81-ECASD61B566M020K0	ECASD61B566M020K00	56	12.5	2.8±0.3	20	20	70.0	2.0 Arms	1.68	1.29	1.17	1.06	2500	.917
81-ECASD91B566M020K0	ECASD91B566M020K00	56	12.5	4.2±0.3	20	20	70.0	2.0 Arms	2.26	1.79	1.65	1.37	2000	.744
81-ECASD91B107M012K0	ECASD91B107M012K00	100	12.5	4.2±0.3	20	12	125.0	2.5 Arms	3.92	3.37	3.16	2.61	2000	1.41
81-ECASD41C685M070K0	ECASD41C685M070K00	6.8	16	1.9±0.1	20	70	10.9	1.0 Arms	1.60	1.18	1.05	.864	3000	.448
81-ECASD41C106M060K0	ECASD41C106M060K00	10	16	1.9±0.1	20	60	16.0	1.0 Arms	2.42	1.91	1.77	1.47	3000	.797
81-ECASD41C156M040K0	ECASD41C156M040K00	15	16	1.9±0.1	20	40	24.0	1.0 Arms	2.07	1.53	1.36	1.11	3000	.579
81-ECASD61C226M030K0	ECASD61C226M030K00	22	16	2.8±0.3	20	30	35.2	1.6 Arms	3.24	2.56	2.37	1.97	2500	1.06