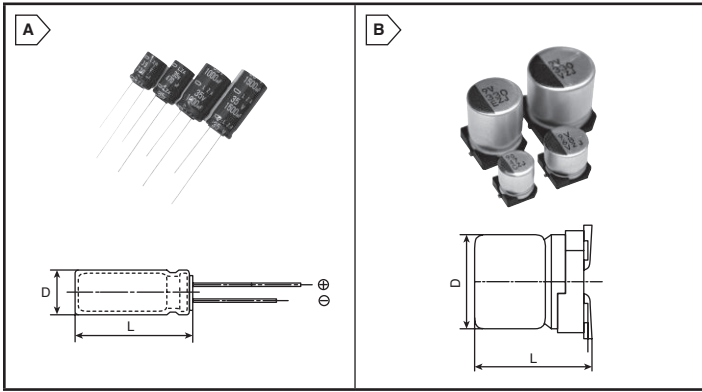


UNITED CHEMI-CON Aluminum Electrolytic Capacitors



LBG SERIES 105°C MINIATURE ALUMINUM CAPACITORS

For quantities greater than listed, call for quote.

MOUSER STOCK NO.	United Chemi-Con Part No.	Fig.	Value (µF)	Case Size DxL (mm)	Price Each			
					1	100	500	1000
25 Volt								
661-ELBG250ETS172AL1	ELBG250ETS172AL15S	A	1700	16x15	1.44	.88	.83	.68
661-ELBG250EC3192AM1	ELBG250EC3192AM15S	A	1900	18x15	1.77	1.08	.86	.84
661-ELBG250ELL222AL2	ELBG250ELL222AL20S	A	2200	16x20	1.65	1.01	.818	.78
661-ELBG250ETS272AM2	ELBG250ETS272AM20S	A	2700	18x20	2.40	1.47	1.18	1.15
661-ELBG250ELL422AM2	ELBG250ELL422AM20S	A	4200	18x20	2.22	1.36	1.09	1.06
661-ELBG250ELL452AK4	ELBG250ELL452AK40S	A	4500	12.5x40	2.21	1.35	1.08	1.05
661-ELBG250ELL562ALN	ELBG250ELL562ALN3S	A	5600	16x31.5	2.57	1.57	1.26	1.23
661-ELBG250ETD562ALN	ELBG250ETD562ALN3S	A	5600	16x31.5	2.62	1.60	1.51	1.26
661-ELBG250ELL662ALP	ELBG250ELL662ALP1S	A	6600	16x35.5	2.80	1.72	1.54	1.35
661-ELBG250ELL722AK5	ELBG250ELL722AK55S	A	7200	12.5x55	3.28	2.02	1.63	1.61
661-ELBG250ELL842AMN	ELBG250ELL842AMN3S	A	8400	18x31.5	4.09	2.52	2.03	1.97
661-ELBG250ELL113AM4	ELBG250ELL113AM40S	A	11000	18x40	5.10	3.14	2.53	2.46
35 Volt								
661-ELBG350EC3482AMN	ELBG350EC3482AMN3S	A	4800	18x31.5	3.22	1.98	1.60	1.55
661-ELBG350EC3672AM4	ELBG350EC3672AM40S	A	6700	18x40	4.27	2.63	2.12	2.06
661-ELBG350EC5252AM2	ELBG350EC5252AM20S	A	2500	18x20	2.27	1.39	1.12	1.09
661-ELBG350ELL142AK2	ELBG350ELL142AK25S	A	1400	12.5x25	1.40	.86	.79	.769
661-ELBG350ELL182AL2	ELBG350ELL182AL20S	A	1800	16x20	2.20	1.34	1.07	1.04
661-ELBG350ELL252AM2	ELBG350ELL252AM20S	A	2500	18x20	2.24	1.37	1.27	1.25
661-ELBG350ELL322AUP	ELBG350ELL322AUP1S	A	3200	14.5x35.5	2.48	1.52	1.22	1.19
661-ELBG350ELL342ALN	ELBG350ELL342ALN3S	A	3400	16x31.5	2.63	1.61	1.31	1.27
661-ELBG350ELL362AM2	ELBG350ELL362AM25S	A	3600	18x25	3.44	2.12	1.71	1.66
661-ELBG350ELL362AM2	ELBG350ELL362AM25S	A	3600	18x25	3.44	2.12	1.71	1.66
661-ELBG350ELL672AM4	ELBG350ELL672AM40S	A	6700	18x40	4.22	2.60	2.09	2.03
661-ELBG350ETS362AM2	ELBG350ETS362AM25S	A	3600	18x25	3.54	2.18	1.76	1.71

LZA SERIES 105°C MINIATURE ALUMINUM CAPACITORS

For quantities greater than listed, call for quote.

MOUSER STOCK NO.	United Chemi-Con Part No.	Fig.	Value (µF)	Case Size DxL (mm)	Price Each			
					1	100	500	1000
10 Volt								
661-ELZA100E472MK25S	ELZA100ELL472MK25S	A	4700	12.5x25	2.32	1.43	1.14	1.11
16 Volt								
661-ELZA160E182MJ25S	ELZA160ELL182MJ25S	A	1800	10x25	1.48	.91	.73	.70
661-ELZA160E332MK25S	ELZA160ELL332MK25S	A	3300	12.5x25	2.09	1.29	1.03	1.00
25 Volts								
661-ELZA250E122MJ25S	ELZA250ELL122MJ25S	A	1200	10x25	1.52	.93	.75	.72
661-ELZA250E222MK25S	ELZA250ELL222MK25S	A	2200	12.5x25	2.12	1.30	1.04	1.01
35 Volts								
661-ELZA350E331MJ5C5	ELZA350ELL331MJ5C5S	A	330	10x12.5	1.04	.64	.51	.50
661-ELZA350E471MJ16S	ELZA350ELL471MJ16S	A	470	10x16	1.16	.72	.57	.55
661-ELZA350E681MJ20S	ELZA350ELL681MJ20S	A	680	10x20	1.34	.83	.66	.64
661-ELZA350E821MJ25S	ELZA350ELL821MJ25S	A	820	10x25	1.53	.94	.75	.73
661-ELZA350E102MK20S	ELZA350ELL102MK20S	A	1000	12.5x20	1.76	1.09	.87	.84
661-ELZA350E152MK25S	ELZA350ELL152MK25S	A	1500	12.5x25	2.15	1.32	1.06	1.02

MHB SERIES 125°C SURFACE MOUNT ALUMINUM CAPACITORS

For quantities greater than listed, call for quote.

MOUSER STOCK NO.	United Chemi-Con Part No.	Fig.	Value (µF)	Case Size DxL (mm)	Price Each			
					1	100	500	1000
10 Volts								
661-EMHB100ADA331MHA	EMHB100ADA331MHA0G	B	330	8x10	.780	.590	.513	.433
661-EMHB100ADA471MJA	EMHB100ADA471MJA0G	B	470	10x10	.960	.720	.629	.531
16 Volts								
661-EMHB160ADA101MHA	EMHB160ADA101MHA0G	B	100	8x10	.750	.560	.488	.412
661-EMHB160ADA221MHA	EMHB160ADA221MHA0G	B	220	8x10	.910	.680	.594	.501
25 Volts								
661-EMHB250ADA101MHA	EMHB250ADA101MHA0G	B	100	8x10	.920	.690	.601	.507
661-EMHB250ADA221MHA	EMHB250ADA221MHA0G	B	220	8x10	.670	.500	.439	.370
661-EMHB250ADA331MJA	EMHB250ADA331MJA0G	B	330	10x10	.980	.740	.641	.541
35 Volts								
661-EMHB350ADA101MHA	EMHB350ADA101MHA0G	B	100	8x10	.920	.690	.601	.507
661-EMHB350ADA221MJA	EMHB350ADA221MJA0G	B	220	10x10	1.210	.910	.791	.667
661-EMHB350ADA470MHA	EMHB350ADA470MHA0G	B	47	8x10	.810	.610	.529	.446

MKA SERIES 105°C SMD (LEAD FREE) CAPACITORS

For quantities greater than listed, call for quote.

MOUSER STOCK NO.	United Chemi-Con Part No.	Fig.	Value (µF)	Case Size DxL (mm)	Price Each			
					1	100	500	1000
6.3 Volt								
661-MKA6.3V22R2M	EMKA6R3ADA220MD55G	B	22	4x5.2	.33	.30	.277	.232
661-MKA6.3V47R4M	EMKA6R3ADA470ME55G	B	47	5x5.2	.37	.344	.307	.26
661-MKA6.3V331M	EMKA6R3ADA331MHA0G	B	330	8x10	.82	.74	.675	.566
661-MKA6.3V33102M	EMKA6R3ADA102MJA0G	B	1,000	10x10	.60	.56	.50	.424
10 Volt								
661-MKA10VC33RM	EMKA100ADA330ME55G	B	33	5x5.2	.77	.68	.644	.516
661-MKA10VC101M	EMKA100ADA101MF80G	B	100	6.3x7.7	.56	.516	.46	.39
661-MKA10VC221M	EMKA100ADA221MHA0G	B	220	8x10	.83	.768	.685	.581
16 Volt								
661-MKA16VC10RM	EMKA160ADA100MD55G	B	10	4x5.2	.33	.30	.277	.232
661-MKA16VC22RM	EMKA160ADA220ME55G	B	22	5x5.2	.77	.68	.644	.516
661-MKA16VC47RM	EMKA160ADA470MF55G	B	47	6.3x5.2	.28	.26	.235	.20
661-MKA16VC471M	EMKA160ADA471MJA0G	B	470	10x10	1.01	.932	.832	.706
25 Volt								
661-MKA25VC33RM	EMKA250ADA330MF55G	B	33	6.3x5.2	.39	.364	.325	.275
661-MKA25VC47RM	EMKA250ADA470MF80G	B	47	6.3x7.7	.51	.472	.421	.357
661-MKA25VC101M	EMKA250ADA101MHA0G	B	100	8x10	.82	.74	.675	.566
661-MKA25VC331M	EMKA250ADA331MJA0G	B	330	10x10	1.13	1.05	.935	.793
35 Volt								
661-MKA35VC47RM	EMKA350ADA477MD55G	B	47	4x5.2	.33	.30	.277	.232
661-MKA35VC10RM	EMKA350ADA100ME55G	B	10	5x5.2	.77	.68	.644	.516
661-MKA35VC22RM	EMKA350ADA220MF55G	B	22	6.3x5.2	.39	.36	.321	.272
661-MKA35VC33RM	EMKA350ADA330MF80G	B	33	6.3x7.7	.51	.472	.421	.357
661-MKA35VC221M	EMKA350ADA221MJA0G	B	220	10x10	.69	.62	.575	.465
50 Volt								
661-MKA50VCR10M	EMKA500ADAR10MD55G	B	0.1	4x5.2	.33	.30	.277	.232
661-MKA50VCR22M	EMKA500ADAR22MD55G	B	0.22	4x5.2	.15	.144	.128	.109
661-MKA50VCR47M	EMKA500ADAR47MD55G	B	0.47	4x5.2	.33	.30	.277	.232
661-MKA50VCR10RM	EMKA500ADA10RMD55G	B	1	4x5.2	.33	.30	.277	.232
661-MKA50VCR22RM	EMKA500ADA2R2MD55G	B	2.2	4x5.2	.33	.30	.277	.232
661-MKA50VCR47RM	EMKA500ADA4R7ME55G	B	4.7	5x5.2	.64	.40	.34	.256
661-MKA50VC101RM	EMKA500ADA100RME55G	B	10	6.3x5.2	.43	.31	.23	.211
661-MKA50VC22RM	EMKA500ADA220MF80G	B	22	6.3x7.7	.54	.504	.45	.381
661-MKA50VC33RM	EMKA500ADA330MHA0G	B	33	8x10	.79	.728	.65	.551
661-MKA50VC101M	EMKA500ADA101MJA0G	B	100	10x10	.96	.888	.792	.672

MHJ SERIES 125°C SURFACE MOUNT ALUMINUM CAPACITORS

For quantities greater than listed, call for quote.

MOUSER STOCK NO.	United Chemi-Con Part No.	Fig.	Value (µF)	Case Size DxL (mm)	Price Each			
					1	100	500	1000
10 Volt								
661-EMHJ100ADA221MHA	EMHJ100ADA221MHA0G	B	220	8x10	.790	.600	.519	.437
661-EMHJ100ADA331MHA	EMHJ100ADA331MHA0G	B	330	8x10	.790	.600	.519	.437
661-EMHJ100ADA471MJA	EMHJ100ADA471MJA0G	B	470	10x10	1.060	.790	.690	.582
16 Volts								
661-EMHJ160ADA101MF8	EMHJ160ADA101MF80G	B	100	6.3x7.7	.590	.440	.388	.327
661-EMHJ160ADA221MHA	EMHJ160ADA221MHA0G	B	220	8x10	.790	.600	.519	.437
661-EMHJ160ADA331MJA	EMHJ160ADA331MJA0G	B	330	10x10	1.060	.790	.690	.582
661-EMHJ160ADA471MJA	EMHJ160ADA471MJA0G	B	47	10x10	1.060	.790	.690	.582
25 Volts								
661-EMHJ250ADA101MHA	EMHJ250ADA101MHA0G	B	100	8x10	.790	.600	.519	.437
661-EMHJ250ADA221MJA	EMHJ250ADA221MJA0G	B	220	10x10	1.060	.790	.690	.582
661-EMHJ250ADA331MJA	EMHJ250ADA331MJA0G	B	330	10x10	1.060	.790	.690	.582
35 Volts								
661-EMHJ350ADA101MHA	EMHJ350ADA101MHA0G	B	100	8x10	.790	.600	.519	.437
661-EMHJ350ADA221MJA	EMHJ350ADA221MJA0G	B	220	10x10	1.060	.790	.690	.582
661-EMHJ350ADA470MF8	EMHJ350ADA470MF80G	B	470	6.3x7.7	.590	.440	.388	.327

MZJ SERIES 105°C SURFACE MOUNT ALUMINUM CAPACITORS

For quantities greater than listed, call for quote.

MOUSER STOCK NO.	United Chemi-Con Part No.	Fig.	Value (µF)	Case Size DxL (mm)	Price Each			
					1	100	500	1000
6.3 Volts								
661-EMZJ6R3A152MJA0G	EMZJ6R3ADA152MJA0G	B	1500	10x10	.740	.520	.429	.349
661-EMZJ6R3A182MJA0G	EMZJ6R3ADA182MJA0G	B	1800	10x10	1.21	1.01	.830	.700
661-EMZJ6R3A331MF80G	EMZJ6R3ADA331MF80G							