

VISHAY Multi-Turn Trimmers

VISHAY / SFERNICE MODEL TSM 43, 4MM, SMD, CERMET TRIMMERS

- Features:**
- Sealed to withstand board wash processing
 - Pick and place centering design
 - 4mm design meets EIA SMD standard trimmer footprint
 - Top and side adjust styles
 - Temperature coefficient: ±100ppm/°C

- Specifications:**
- Tolerance: ±10%
 - Oper. temp. range: -65°C to +150°C
 - Rotation cycling: 200 cycles
 - Power rating: .25W @ +85°C
 - Temperature coefficient: ±100ppm/°C

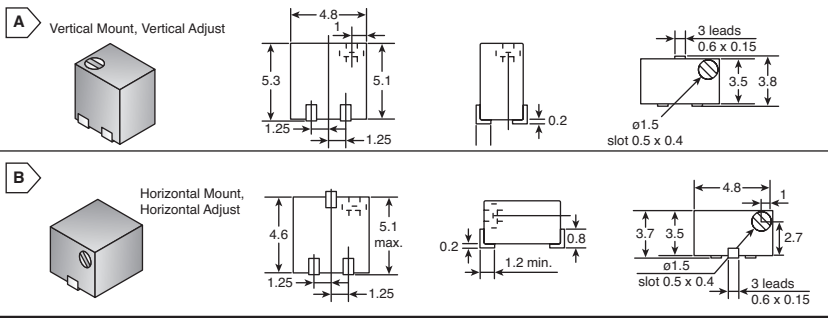
| Table of Values (Ω) | | | |
|---------------------|-----|-----|-----|
| 101 | 501 | 202 | 103 |
| 201 | 102 | 502 | 503 |

For quantities greater than listed, call for quote.

| Price Each | | | |
|------------|------|------|------|
| 1 | 25 | 50 | 100 |
| 4.15 | 3.76 | 3.37 | 3.01 |

| MOUSER STOCK NO. | Fig. |
|----------------------|------|
| 72-TSM4YJ-Value-KR05 | A |
| 72-TSM4ZJ-Value-KR10 | B |

DIMENSIONS: in.



VISHAY / SPECTROL MODEL 64 3/8" (10MM) 25-TURN CERMET TRIMMERS

- Specifications:**
- Trimmer size 3/8"x 3/8"x 3/16"
 - Tolerance: ±10%
 - Rating: 0.5W @ 70°C, derated linearly to 0W @ 125°C
 - Contact resistance variation: 2% Rn or 2Ω
 - 25 turns nominal
 - Pure Sn. leads



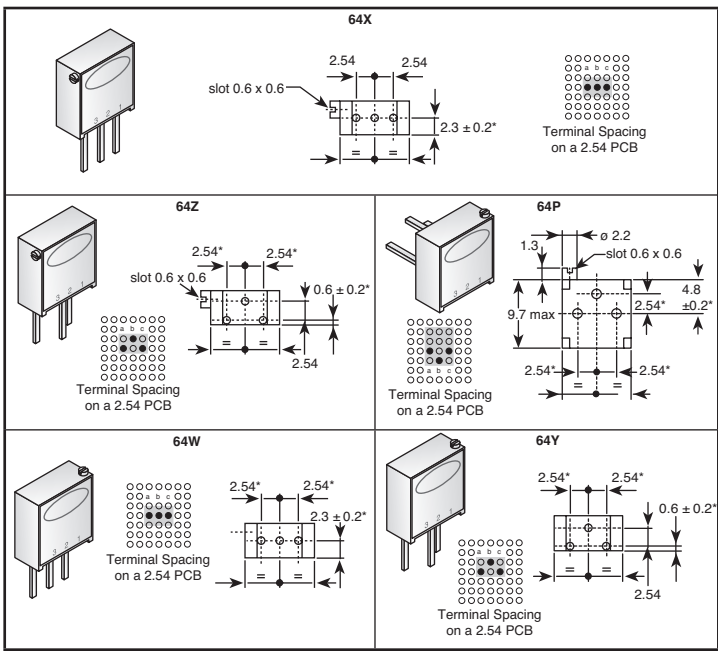
For quantities greater than listed, call for quote.

| Price Each | | | | |
|------------|------|------|------|------|
| 1 | 25 | 50 | 100 | 200 |
| 1.78 | 1.60 | 1.42 | 1.28 | 1.21 |

- Features:**
- Sealed for cleaning in common solvents
 - Easy adjustment and stability

| Value (Ω) | 64X Series | 64Z Series | 64P Series | 64W Series | 64Y Series |
|-----------|------------|------------|------------|------------|------------|
| 10 | --- | --- | --- | --- | --- |
| 20 | --- | --- | --- | --- | --- |
| 50 | --- | --- | --- | --- | --- |
| 100 | 594-64X101 | 594-64Z101 | 594-64P101 | 594-64W101 | 594-64Y101 |
| 200 | 594-64X201 | 594-64Z201 | 594-64P201 | 594-64W201 | 594-64Y201 |
| 500 | 594-64X501 | 594-64Z501 | 594-64P501 | 594-64W501 | 594-64Y501 |
| 1K | 594-64X102 | 594-64Z102 | 594-64P102 | 594-64W102 | 594-64Y102 |
| 2K | 594-64X202 | 594-64Z202 | 594-64P202 | 594-64W202 | 594-64Y202 |
| 5K | 594-64X502 | 594-64Z502 | 594-64P502 | 594-64W502 | 594-64Y502 |
| 10K | 594-64X103 | 594-64Z103 | 594-64P103 | 594-64W103 | 594-64Y103 |
| 20K | 594-64X203 | 594-64Z203 | 594-64P203 | 594-64W203 | 594-64Y203 |
| 25K | 594-64X253 | --- | --- | --- | --- |
| 50K | 594-64X503 | 594-64Z503 | 594-64P503 | 594-64W503 | 594-64Y503 |
| 100K | 594-64X104 | 594-64Z104 | 594-64P104 | 594-64W104 | 594-64Y104 |
| 200K | 594-64X204 | --- | --- | --- | --- |
| 250K | 594-64X254 | --- | --- | --- | --- |
| 500K | 594-64X504 | --- | --- | --- | --- |
| 1M | 594-64X105 | --- | --- | --- | --- |
| 2M | 594-64X205 | --- | --- | --- | --- |

DIMENSIONS: in.



VISHAY / SPECTROL MODEL 43P 3/4" 20 TURN CERMET TRIMMERS

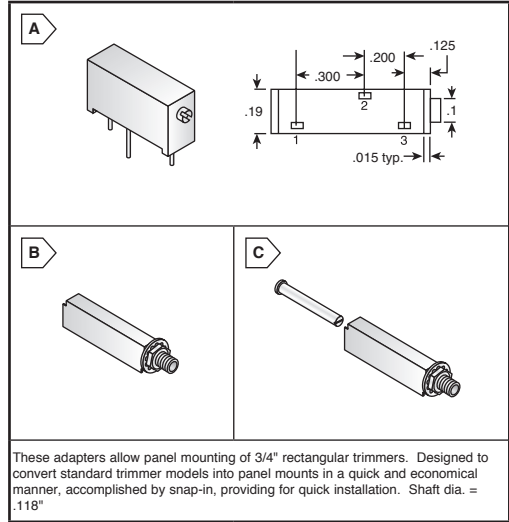
- Specifications:**
- Coefficient of resistance: ±100ppm/°C
 - Rating: 0.5W @ 70°C, derated linearly to 0W @ 125°C
 - Maximum voltage: ≤ 400V
 - Temperature range: -55°C to + 125°C
 - Contact resistance variation: .3% or 3Ω, whichever is greater

- Features:**
- Unique "T" slider block design
 - Easy adjustment and stability

For quantities greater than listed, call for quote.

| MOUSER STOCK NO. | Vishay Part No. | Fig. | Value Ω | Insulation Resistance (MΩ) | Tol. % | Price Each | | | | |
|------------------|-----------------|------|---------|----------------------------|--------|------------|------|------|------|------|
| | | | | | | 1 | 25 | 50 | 100 | 200 |
| 594-43P100 | 043P100 | A | 10 | 1000 | ±10 | 1.52 | 1.36 | 1.21 | 1.09 | 1.03 |
| 594-43P200 | 043P200 | A | 20 | 1000 | ±10 | 1.52 | 1.36 | 1.21 | 1.09 | 1.03 |
| 594-43P500 | 043P500 | A | 50 | 1000 | ±10 | 1.52 | 1.36 | 1.21 | 1.09 | 1.03 |
| 594-43P101 | 043P101 | A | 100 | 1000 | ±10 | 1.52 | 1.36 | 1.21 | 1.09 | 1.03 |
| 594-43P201 | 043P201 | A | 200 | 1000 | ±10 | 1.52 | 1.36 | 1.21 | 1.09 | 1.03 |
| 594-43P501 | 043P501 | A | 500 | 1000 | ±10 | 2.32 | 1.87 | 1.49 | 1.36 | 1.28 |
| 594-43P102 | 043P102 | A | 1K | 1000 | ±10 | 1.52 | 1.40 | 1.37 | 1.22 | 1.09 |
| 594-43P202 | 043P202 | A | 2K | 1000 | ±10 | 1.52 | 1.36 | 1.21 | 1.09 | 1.03 |
| 594-43P252 | 043P252 | A | 2.5K | 1000 | ±10 | 1.52 | 1.36 | 1.21 | 1.09 | 1.03 |
| 594-43P502 | 043P502 | A | 5K | 1000 | ±10 | 1.52 | 1.36 | 1.21 | 1.09 | 1.03 |
| 594-43P103 | 043P103 | A | 10K | 1000 | ±10 | 1.52 | 1.36 | 1.21 | 1.09 | 1.03 |
| 594-43P203 | 043P203 | A | 20K | 1000 | ±10 | 1.52 | 1.36 | 1.21 | 1.09 | 1.03 |
| 594-43P253 | 043P253 | A | 25K | 1000 | ±10 | 1.52 | 1.36 | 1.21 | 1.09 | 1.03 |
| 594-43P503 | 043P503 | A | 50K | 1000 | ±10 | 1.52 | 1.36 | 1.21 | 1.09 | 1.03 |
| 594-43P104 | 043P104 | A | 100K | 1000 | ±10 | 1.52 | 1.36 | 1.21 | 1.09 | 1.03 |
| 594-43P204 | 043P204 | A | 200K | 1000 | ±10 | 1.52 | 1.36 | 1.21 | 1.09 | 1.03 |
| 594-43P504 | 043P504 | A | 500K | 1000 | ±10 | 1.66 | 1.52 | 1.49 | 1.32 | 1.19 |
| 594-43P105 | 043P105 | A | 1M | 1000 | ±10 | 1.52 | 1.36 | 1.21 | 1.09 | 1.03 |
| 594-43P205 | 043P205 | A | 2M | 1000 | ±10 | 1.52 | 1.36 | 1.21 | 1.09 | 1.03 |
| Adapters | | | | | | | | | | |
| 594-610 | 006-1-0 | B | | Without shaft | | 4.50 | 4.14 | 4.05 | 3.60 | 3.24 |
| 594-611 | 006-1-1 | C | | With flush shaft | | 6.01 | 5.49 | 5.39 | 4.78 | 4.31 |
| 594-612 | 006-1-2 | C | | With .57" shaft | | 7.19 | 6.57 | 6.46 | 5.72 | 5.17 |
| 594-613 | 006-1-3 | C | | With .875" shaft | | 7.95 | 7.22 | 7.06 | 6.36 | 5.67 |

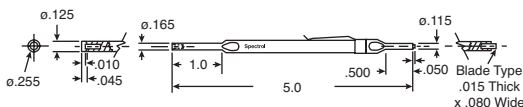
DIMENSIONS: in.



These adapters allow panel mounting of 3/4" rectangular trimmers. Designed to convert standard trimmer models into panel mounts in a quick and economical manner, accomplished by snap-in, providing for quick installation. Shaft dia. = .118"

VISHAY / SPECTROL TRIMMER ADJUSTMENT TOOL

- Features:**
- Extended as well as recessed blade for critical adjustments
 - Designed to adjust trimmer potentiometers of all sizes
 - Made of glass filled nylon with corrosion resistant stainless steel blades



DIMENSIONS: in.

For quantities greater than listed, call for quote.

| MOUSER STOCK NO. | Price Each | | | |
|------------------|------------|------|------|------|
| | 1 | 25 | 100 | 250 |
| 594-8T000 | 1.80 | 1.66 | 1.40 | 1.33 |