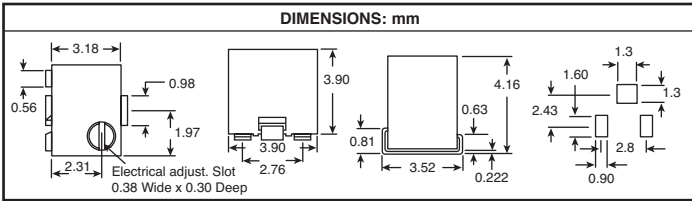


BOURNS Multi-Turn Cermet Trimmer Potentiometers

BOURNS®

RoHS Compliant This product is RoHS compliant.

BOURNS 3223 SERIES 3MM SMD TRIMMING POTENTIOMETER



Features:

- Square / Multiturn / Cermet / Industrial / Sealed
- Sealed to withstand board wash processing
- Pick and place centering design for automated placement compatibility
- Flush adjustment screw
- Meets EIA/EIA/JPC/VECI SMD standard trimmer footprint
- Top Adjust

Specifications:

- Resistance tolerance: $\pm 20\%$ std.
- Power rating: 200V max.; 70°C=0.125W
- Temperature range: -65°C to +150°C
- Temperature coefficient: $\pm 100\text{ppm}/^\circ\text{C}$
- Humidity: MIL-STD-202 Method 106, TRS $\pm 3\%$; IR 10 M Ω

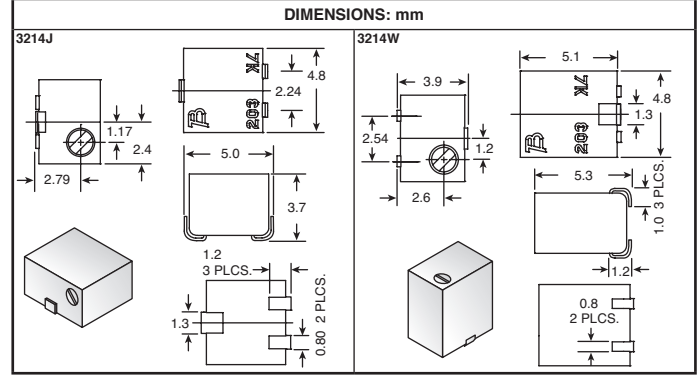


RoHS Compliant

For quantities greater than listed, call for quote.

MOUSER STOCK NO.	Bourns Part No.	Value (Ω)	Price Each					
			1	10	50	100	200	500
652-3223W-1-100E	3223W-1-100E	10	3.85	3.30	3.13	2.86	2.30	1.79
652-3223W-1-200E	3223W-1-200E	20	3.85	3.30	3.13	2.86	2.30	1.79
652-3223W-1-500E	3223W-1-500E	50	3.85	3.30	3.13	2.86	2.30	1.79
652-3223W-1-101E	3223W-1-101E	100	3.85	3.30	3.13	2.86	2.30	1.79
652-3223W-1-201E	3223W-1-201E	200	3.85	3.30	3.13	2.86	2.30	1.79
652-3223W-1-501E	3223W-1-501E	500	3.85	3.30	3.13	2.86	2.30	1.79
652-3223W-1-102E	3223W-1-102E	1K	3.85	3.30	3.13	2.86	2.30	1.79
652-3223W-1-202E	3223W-1-202E	2K	3.85	3.30	3.13	2.86	2.30	1.79
652-3223W-1-502E	3223W-1-502E	5K	3.85	3.30	3.13	2.86	2.30	1.79
652-3223W-1-103E	3223W-1-103E	10K	3.85	3.30	3.13	2.86	2.30	1.79
652-3223W-1-203E	3223W-1-203E	20K	3.85	3.30	3.13	2.86	2.30	1.79
652-3223W-1-503E	3223W-1-503E	50K	3.85	3.30	3.13	2.86	2.30	1.79
652-3223W-1-104E	3223W-1-104E	100K	3.85	3.30	3.13	2.86	2.30	1.79
652-3223W-1-204E	3223W-1-204E	200K	3.85	3.30	3.13	2.86	2.30	1.79
652-3223W-1-504E	3223W-1-504E	500K	3.85	3.30	3.13	2.86	2.30	1.79
652-3223W-1-105E	3223W-1-105E	1M	3.85	3.30	3.13	2.86	2.30	1.79
652-3223W-1-205E	3223W-1-205E	2M	3.85	3.30	3.13	2.86	2.30	1.79
Adjustment Tool								
652-H-92-1	H-92-1	---	1.75	1.59	1.56	1.40	1.28	1.17

BOURNS 3214 SERIES 4MM SQUARE SMD/5 TURN/SEALED



Specifications:

- Resistance tolerance: $\pm 10\%$ std.
- Power rating: 85°C - 0.25W; 150°C - 0W
- Temperature range: -65°C to +150°C
- Temperature coefficient: $\pm 100\text{ppm}/^\circ\text{C}$



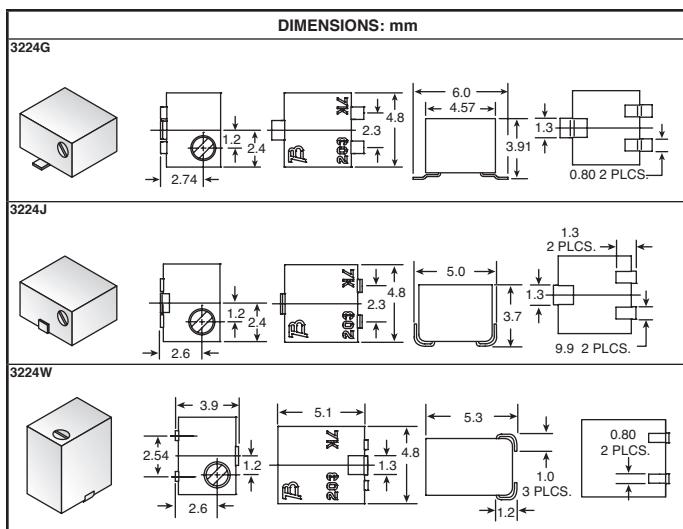
RoHS Compliant

For quantities greater than listed, call for quote.

Series No.	Price Each			
	1	50	100	500
3214J, 3214W	3.22	2.60	2.39	1.50
Adjustment Tool				
652-H91	1.61	1.40	1.33	1.25

Value (Ω)	3269W Series	3269X Series
	MOUSER STOCK NO.	
100	652-3214J-1-101E	652-3214W-1-101E
200	652-3214J-1-201E	652-3214W-1-201E
500	652-3214J-1-501E	652-3214W-1-501E
1K	652-3214J-1-102E	652-3214W-1-102E
2K	652-3214J-1-202E	652-3214W-1-202E
5K	652-3214J-1-502E	652-3214W-1-502E
10K	652-3214J-1-103E	652-3214W-1-103E
20K	652-3214J-1-203E	652-3214W-1-203E
50K	652-3214J-1-503E	652-3214W-1-503E
100K	652-3214J-1-104E	652-3214W-1-104E

BOURNS 3224 SERIES 4MM SQUARE/SMD/11 TURN/SEALED



Specifications:

- Resistance tolerance: $\pm 10\%$ std.
- Power rating: 85°C - 0.25W; 150°C - 0W
- Temperature range: -65°C to +150°C
- Temperature coefficient: $\pm 100\text{ppm}/^\circ\text{C}$



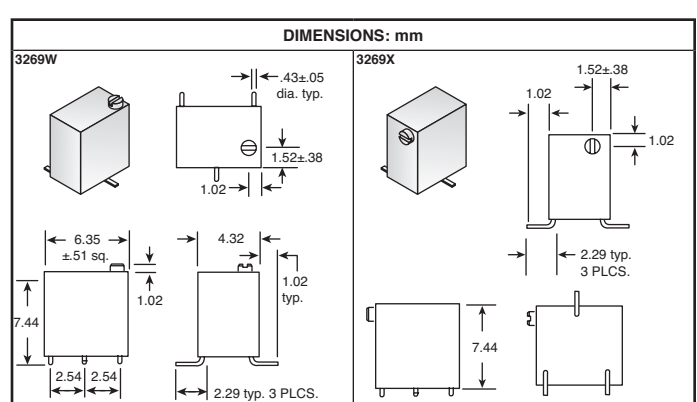
RoHS Compliant

For quantities greater than listed, call for quote.

Series No.	Price Each			
	1	50	100	500
3224G, J, W	4.47	3.59	3.42	2.42
Adjustment Tool				
652-H91	1.61	1.40	1.33	1.25

Value (Ω)	3224G Series	3224J Series	3224W Series
	MOUSER STOCK NO.		
100	652-3224G-1-101E	652-3224J-1-101E	652-3224W-1-101E
500	652-3224G-1-501E	652-3224J-1-501E	652-3224W-1-501E
1K	652-3224G-1-102E	652-3224J-1-102E	652-3224W-1-102E
2K	652-3224G-1-202E	652-3224J-1-202E	652-3224W-1-202E
5K	652-3224G-1-502E	652-3224J-1-502E	652-3224W-1-502E
10K	652-3224G-1-103E	652-3224J-1-103E	652-3224W-1-103E
20K	652-3224G-1-203E	652-3224J-1-203E	652-3224W-1-203E
50K	652-3224G-1-503E	652-3224J-1-503E	652-3224W-1-503E
100K	652-3224G-1-104E	652-3224J-1-104E	652-3224W-1-104E

BOURNS 3269 SERIES 1/4" SQUARE/SMD/12 TURN/SEALED



Specifications:

- Resistance tolerance: $\pm 10\%$ std.
- Power rating: 85°C - 0.25W; 150°C - 0W
- Temperature range: -65°C to +150°C
- Temperature coefficient: $\pm 100\text{ppm}/^\circ\text{C}$



RoHS Compliant

For quantities greater than listed, call for quote.

Series No.	Price Each			
	1	50	100	500
3269W, 3269X	4.43	3.46	2.77	2.60
Adjustment Tool				
652-H-90	1.61	1.40	1.33	1.25

Value (Ω)	3269W Series	3269X Series
	MOUSER STOCK NO.	
50	652-3269W-1-500LF	652-3269X-1-500LF
100	652-3269W-1-101LF	652-3269X-1-101LF
200	652-3269W-1-201LF	652-3269X-1-201LF
500	652-3269W-1-501LF	652-3269X-1-501LF
1K	652-3269W-1-102LF	652-3269X-1-102LF
2K	652-3269W-1-202LF	652-3269X-1-202LF
5K	652-3269W-1-502LF	652-3269X-1-502LF
10K	652-3269W-1-103LF	652-3269X-1-103LF
20K	652-3269W-1-203LF	652-3269X-1-203LF
50K	652-3269W-1-503LF	652-3269X-1-503LF
100K	652-3269W-1-104LF	652-3269X-1-104LF
200K	652-3269W-1-204LF	652-3269X-1-204LF
500K	652-3269W-1-504LF	652-3269X-1-504LF
1M	652-3269W-1-105LF	652-3269X-1-105LF