

# BOURNS Multi-Turn Cermet Trimmer Potentiometers

BOURNS

RoHS Compliant This product is RoHS compliant.

## BOURNS 3296 SERIES 3/8" SQUARE / 25 TURN / SEALED

- Features:**
- 5 terminal styles
  - Chevron seal design

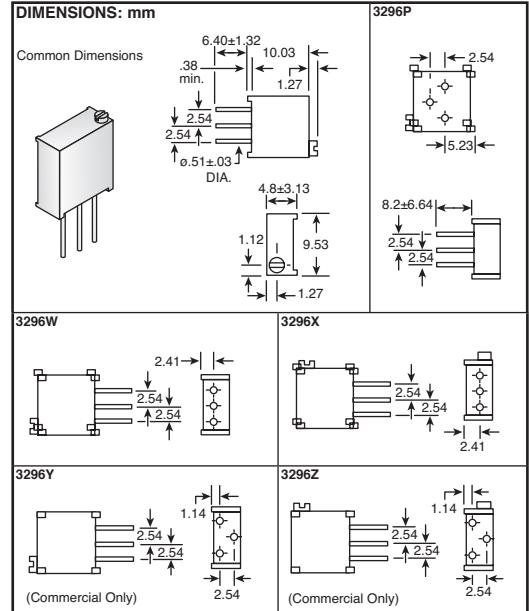
- Specifications:**
- Resistance tolerance: ±10% standard
  - Power rating: 70°C - 0.5W; 125°C - 0W
  - Temperature range: -55°C to +150°C
  - Temperature coefficient: ±100ppm/°C

RoHS Compliant

For quantities greater than listed, call for quote.

Series No.	Price Each					
	1	10	50	100	500	1000
3296P, 3296Z	2.70	2.45	2.10	1.71	1.60	1.49
3296W, X, Y	2.50	2.27	1.95	1.58	1.49	1.39

Value (Ω)	3296P Series	3296W Series	3296X Series	3296Y Series	3296Z Series
	MOUSER STOCK NO.				
10	652-3296P-1-100LF	652-3296W-1-100LF	652-3296X-1-100LF	652-3296Y-1-100LF	652-3296Z-1-100LF
20	652-3296P-1-200LF	652-3296W-1-200LF	652-3296X-1-200LF	652-3296Y-1-200LF	652-3296Z-1-200LF
50	652-3296P-1-500LF	652-3296W-1-500LF	652-3296X-1-500LF	652-3296Y-1-500LF	652-3296Z-1-500LF
100	652-3296P-1-101LF	652-3296W-1-101LF	652-3296X-1-101LF	652-3296Y-1-101LF	652-3296Z-1-101LF
200	652-3296P-1-201LF	652-3296W-1-201LF	652-3296X-1-201LF	652-3296Y-1-201LF	652-3296Z-1-201LF
500	652-3296P-1-501LF	652-3296W-1-501LF	652-3296X-1-501LF	652-3296Y-1-501LF	652-3296Z-1-501LF
1K	652-3296P-1-102LF	652-3296W-1-102LF	652-3296X-1-102LF	652-3296Y-1-102LF	652-3296Z-1-102LF
2K	652-3296P-1-202LF	652-3296W-1-202LF	652-3296X-1-202LF	652-3296Y-1-202LF	652-3296Z-1-202LF
5K	652-3296P-1-502LF	652-3296W-1-502LF	652-3296X-1-502LF	652-3296Y-1-502LF	652-3296Z-1-502LF
10K	652-3296P-1-103LF	652-3296W-1-103LF	652-3296X-1-103LF	652-3296Y-1-103LF	652-3296Z-1-103LF
20K	652-3296P-1-203LF	652-3296W-1-203LF	652-3296X-1-203LF	652-3296Y-1-203LF	652-3296Z-1-203LF
25K	652-3296P-1-253LF	652-3296W-1-253LF	652-3296X-1-253LF	652-3296Y-1-253LF	652-3296Z-1-253LF
50K	652-3296P-1-503LF	652-3296W-1-503LF	652-3296X-1-503LF	652-3296Y-1-503LF	652-3296Z-1-503LF
100K	652-3296P-1-104LF	652-3296W-1-104LF	652-3296X-1-104LF	652-3296Y-1-104LF	652-3296Z-1-104LF
200K	652-3296P-1-204LF	652-3296W-1-204LF	652-3296X-1-204LF	652-3296Y-1-204LF	652-3296Z-1-204LF
250K	652-3296P-1-254LF	652-3296W-1-254LF	652-3296X-1-254LF	652-3296Y-1-254LF	652-3296Z-1-254LF
500K	652-3296P-1-504LF	652-3296W-1-504LF	652-3296X-1-504LF	652-3296Y-1-504LF	652-3296Z-1-504LF
1M	652-3296P-1-105LF	652-3296W-1-105LF	652-3296X-1-105LF	652-3296Y-1-105LF	652-3296Z-1-105LF
2M	652-3296P-1-205LF	652-3296W-1-205LF	652-3296X-1-205LF	652-3296Y-1-205LF	652-3296Z-1-205LF



Multi-Turn Trimmers Bourns

## BOURNS 3006 SERIES 3/4" RECTANGULAR / 15 TURN / SEALED

- Specifications:**
- Resistance tolerance: ±10% standard
  - Power rating: 70°C - 0.75W; 125°C - 0W
  - Temperature range: -55°C to +125°C
  - Temperature coefficient: ±100ppm/°C

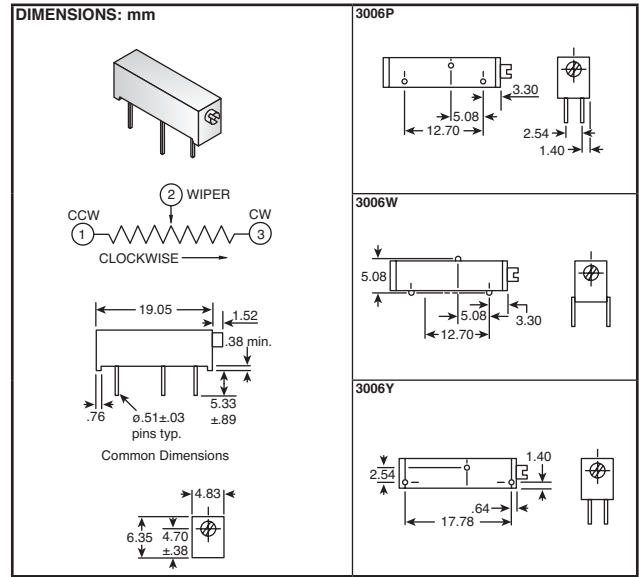
- Features:**
- Low PC board profile - only 1/4" high

RoHS Compliant

For quantities greater than listed, call for quote.

Series No.	Price Each					
	1	10	50	100	500	1000
3006P	1.73	1.57	1.35	1.10	1.03	.96
3006W, 3006Y	1.87	1.70	1.46	1.18	1.10	1.03

Value (Ω)	3006P Series	3006W Series	3006Y Series
	MOUSER STOCK NO.		
100	652-3006P-1-101-LF	652-3006W-1-101-LF	652-3006Y-1-101-LF
200	652-3006P-1-201-LF	652-3006W-1-201-LF	652-3006Y-1-201-LF
500	652-3006P-1-501-LF	652-3006W-1-501-LF	652-3006Y-1-501-LF
1K	652-3006P-1-102-LF	652-3006W-1-102-LF	652-3006Y-1-102-LF
2K	652-3006P-1-202-LF	652-3006W-1-202-LF	652-3006Y-1-202-LF
5K	652-3006P-1-502-LF	652-3006W-1-502-LF	652-3006Y-1-502-LF
10K	652-3006P-1-103-LF	652-3006W-1-103-LF	652-3006Y-1-103-LF
20K	652-3006P-1-203-LF	652-3006W-1-203-LF	652-3006Y-1-203-LF
25K	652-3006P-1-253-LF	652-3006W-1-253-LF	652-3006Y-1-253-LF
50K	652-3006P-1-503-LF	652-3006W-1-503-LF	652-3006Y-1-503-LF
100K	652-3006P-1-104-LF	652-3006W-1-104-LF	652-3006Y-1-104-LF
200K	652-3006P-1-204-LF	652-3006W-1-204-LF	652-3006Y-1-204-LF
250K	652-3006P-1-254-LF	652-3006W-1-254-LF	652-3006Y-1-254-LF
500K	652-3006P-1-504-LF	652-3006W-1-504-LF	652-3006Y-1-504-LF
1M	652-3006P-1-105-LF	652-3006W-1-105-LF	652-3006Y-1-105-LF



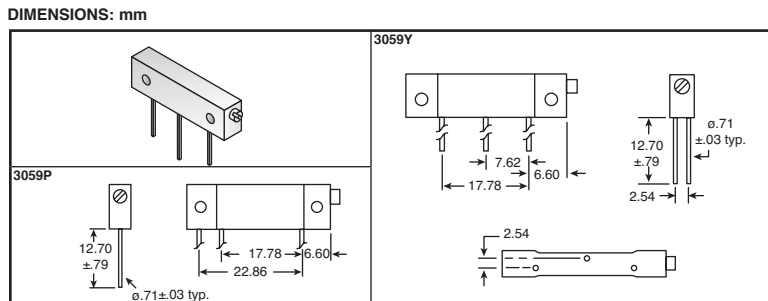
## BOURNS 3059 SERIES 1-1/4" RECTANGULAR / 22 TURN / SEALED

- Specifications:**
- Resistance tolerance: ±10% standard
  - Power rating: 70°C - 1.0W; 150°C - 0W
  - Temperature range: -55°C to +150°C
  - Temperature coefficient: ±100ppm/°C

RoHS Compliant

For quantities greater than listed, call for quote.

Series No.	Price Each					
	1	25	50	100	500	1000
3059P, 3059Y	6.49	5.40	5.07	4.10	3.85	3.59



Value (Ω)	3059P Series	3059Y Series
	MOUSER STOCK NO.	
100	652-3059P-1-101LF	652-3059Y-1-101LF
200	652-3059P-1-201LF	652-3059Y-1-201LF
500	652-3059P-1-501LF	652-3059Y-1-501LF
1K	652-3059P-1-102LF	652-3059Y-1-102LF
2K	652-3059P-1-202LF	652-3059Y-1-202LF
5K	652-3059P-1-502LF	652-3059Y-1-502LF
10K	652-3059P-1-103LF	652-3059Y-1-103LF
20K	652-3059P-1-203LF	652-3059Y-1-203LF
50K	652-3059P-1-503LF	652-3059Y-1-503LF
100K	652-3059P-1-104LF	652-3059Y-1-104LF
200K	652-3059P-1-204LF	652-3059Y-1-204LF
500K	652-3059P-1-504LF	652-3059Y-1-504LF
1M	652-3059P-1-105LF	652-3059Y-1-105LF