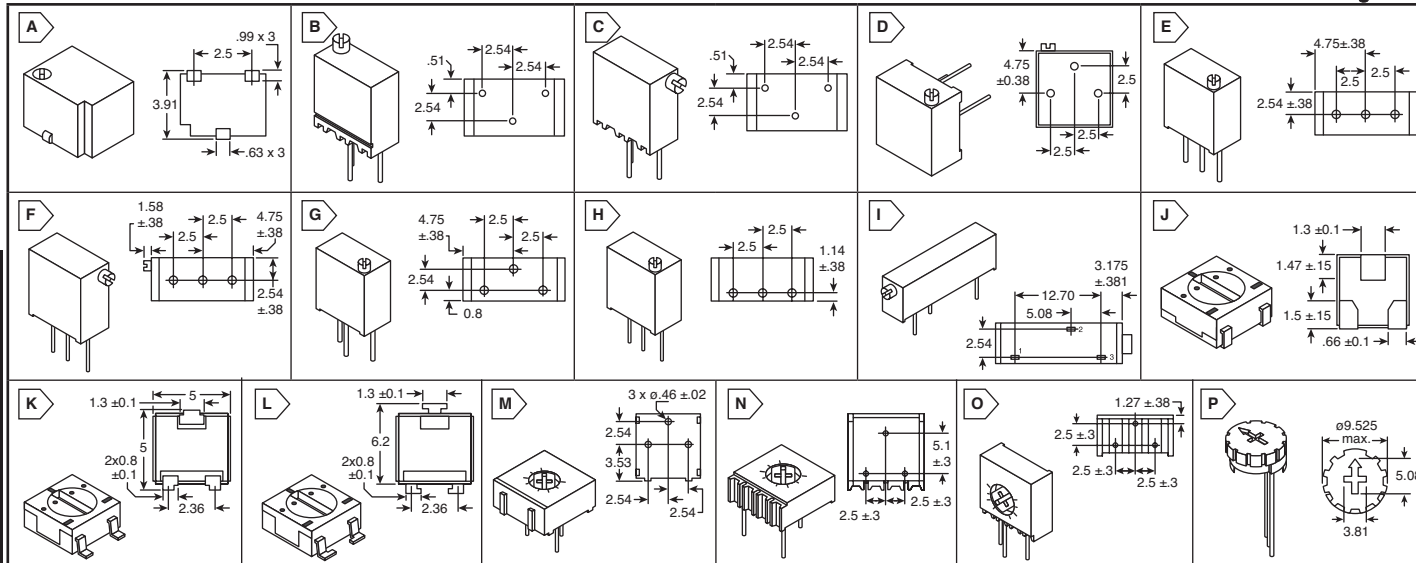


BI TECHNOLOGIES Multi/Single Turn Trimmers and Pots



DIMENSIONS: mm

BI Technologies



BI Technologies Multi-Turn Trimmers

BI Technologies MULTI-TURN SURFACE MOUNT CERMET TRIMMER

4mm Model 44
 • Actual electrical travel, turns, nominal: 9
 • Operating temperature: -65°C to +150°C
 • Power rating: 0.25W
 • Tolerance: 10%

For quantities greater than listed, call for quote.

MOUSER STOCK NO.	Fig.	Values (Ω)	Price Each			
			1	25	50	100
858-44WR-VALUE-LF	A	10, 20, 50, 100, 200, 500, 1K, 2K, 5K, 10K, 20K, 25K, 50K, 100K, 200K, 250K, 500K, 1M, 2M	3.21	2.68	2.30	2.01

BI Technologies MULTI-TURN THRU-HOLE CERMET TRIMMER

• Actual electrical travel, turns, nominal: 12
 • Mechanical stops: clutch action, both ends
 • Tolerance: 10%

1/4" Sq. Model 64
 • Power rating: .25W
 • Operating temperature: -65° to +150°C

MOUSER STOCK NO.	Fig.	Values (Ω)	1	25	50	100
858-64WR-VALUE-LF	B	10, 20, 50, 100, 200, 500, 1K, 2K, 5K, 10K, 20K, 25K, 50K, 100K, 200K, 250K, 500K, 1M	1.74	1.57	1.30	1.17
858-64XR-VALUE-LF	C	10, 20, 50, 100, 200, 500, 1K, 2K, 5K, 10K, 20K, 25K, 50K, 100K, 200K, 250K, 500K, 1M	1.74	1.57	1.30	1.17

3/8" Sq. Model 67
 • Power rating: 0.50W
 • Operating temperature: -55° to +125°C

MOUSER STOCK NO.	Fig.	Values (Ω)	1	5	10	100
858-67PR-VALUE-LF	D	10, 20, 50, 100, 200, 500, 1K, 2K, 5K, 10K, 20K, 25K, 50K, 100K, 200K, 250K, 500K, 1M, 2M	1.11	1.02	.83	.74
858-67WR-VALUE-LF	E	10, 20, 50, 100, 200, 500, 1K, 2K, 5K, 10K, 20K, 25K, 50K, 100K, 200K, 250K, 500K, 1M, 2M	1.11	1.02	.83	.74
858-67XR-VALUE-LF	F	10, 20, 50, 100, 200, 500, 1K, 2K, 5K, 10K, 20K, 25K, 50K, 100K, 200K, 250K, 500K, 1M, 2M	1.11	1.02	.83	.74
858-67YR-VALUE-LF	G	10, 20, 50, 100, 200, 500, 1K, 2K, 5K, 10K, 20K, 25K, 50K, 100K, 200K, 250K, 500K, 1M, 2M	1.11	1.02	.83	.74

3/8" Sq. Model 68
 • Power rating: 0.50W
 • Operating temperature: -55° to +125°C

MOUSER STOCK NO.	Fig.	Values (Ω)	1	5	10	100
858-68WR-VALUE-LF	H	10, 20, 50, 100, 200, 500, 1K, 2K, 5K, 10K, 20K, 25K, 50K, 100K, 200K, 250K, 500K, 1M, 2M	1.35	1.23	1.01	.90

3/4" Rectangular Model 89
 • Power Rating: 0.75W
 • Operating temperature: -55° to +125°C

MOUSER STOCK NO.	Fig.	Values (Ω)	1	5	10	100
858-89PR-VALUE-LF	I	10, 20, 50, 100, 200, 500, 1K, 2K, 5K, 10K, 20K, 25K, 50K, 100K, 200K, 250K, 500K, 1M, 2M	2.43	2.02	1.73	1.52

BI Technologies SINGLE-TURN SURFACE MOUNT CERMET TRIMMER

3mm Model 22
 • Actual electrical travel, nominal: 220°
 • Mechanical stops: solid
 • Power rating: .125W
 • Tolerance: 20%
 • Operating temperature: -55°C to +125°C

For quantities greater than listed, call for quote.

MOUSER STOCK NO.	Fig.	Values (Ω)	Price Each			
			1	25	50	100
858-22AR-VALUE-LFTR	J	10, 50, 100, 200, 500, 1K, 2K, 5K, 10K, 20K, 50K, 100K, 200K, 500K, 1M, 2M	1.64	1.37	1.17	1.03

4mm Sq. Model 23
 • Actual electrical travel, nominal: 210°
 • Mechanical stops: solid
 • Power rating: 0.25W
 • Tolerance: 20%
 • Operating temperature: -55°C to +125°C

MOUSER STOCK NO.	Fig.	Values (Ω)	1	25	50	100
858-23AR-VALUE-LFTR	K	10, 50, 100, 200, 500, 1K, 2K, 5K, 10K, 20K, 50K, 100K, 200K, 500K, 1M, 2M	1.64	1.37	1.17	1.03
858-23BR-VALUE-LFTR	L	10, 50, 100, 200, 500, 1K, 2K, 5K, 10K, 20K, 50K, 100K, 200K, 500K, 1M, 2M	1.64	1.37	1.17	1.03

BI Technologies SINGLE-TURN THRU-HOLE CERMET TRIMMER

1/4" Sq. Model 25
 • Actual electrical travel, nominal: 210°
 • Mechanical stops: solid
 • Power rating: 0.50W
 • Tolerance: 10%
 • Operating temperature: -55°C to +125°C

MOUSER STOCK NO.	Fig.	Values (Ω)	1	25	50	100
858-25PR-VALUE-LF	M	10, 20, 50, 100, 200, 500, 1K, 2K, 5K, 10K, 20K, 50K, 100K, 200K, 500K, 1M, 2M	1.24	1.03	.89	.78

3/8" Sq. Model 72
 • Actual electrical travel, nominal: 244°
 • Mechanical stops: solid
 • Power rating: 0.50W
 • Tolerance: 10%
 • Operating temperature: -55°C to +125°C

MOUSER STOCK NO.	Fig.	Values (Ω)	1	5	10	100
858-72PMR-VALUE-LF	N	10, 20, 50, 100, 200, 500, 1K, 2K, 5K, 10K, 20K, 25K, 50K, 100K, 200K, 250K, 500K, 1M, 2M	1.87	1.56	1.34	1.17
858-72PR-VALUE-LF	N	10, 20, 50, 100, 200, 500, 1K, 2K, 5K, 10K, 20K, 25K, 50K, 100K, 200K, 250K, 500K, 1M, 2M	1.87	1.56	1.34	1.17
858-72XR-VALUE-LF	O	10, 20, 50, 100, 200, 500, 1K, 2K, 5K, 10K, 20K, 25K, 50K, 100K, 200K, 250K, 500K, 1M, 2M	1.80	1.50	1.29	1.13

3/8" Dia. Model 91
 • Actual electrical travel, nominal: 174°
 • Mechanical stops: solid
 • Power rating: 0.50W
 • Tolerance: 20%
 • Operating temperature: -55°C to +125°C

MOUSER STOCK NO.	Fig.	Values (Ω)	1	5	10	100
858-91AR-VALUE-LF	P	10, 20, 50, 100, 200, 500, 1K, 2K, 5K, 10K, 20K, 25K, 50K, 100K, 200K, 250K, 500K, 1M, 2M	1.42	1.28	1.17	1.06

BI Technologies PRECISION POTENTIOMETERS

7/8" 10-Turn Wirewound
 • Operating Temperature: 125°C max.
 • Power Rating: 2W
 • Tolerance: 5%

For quantities greater than listed, call for quote.

MOUSER STOCK NO.	Fig.	Values (Ω)	Price Each		
			1	5	10
858-7286RVALUELF	A	100, 200, 500, 1K, 2K, 5K, 10K, 20K, 50K, 100K	23.80	20.40	17.85

1-13/16" 10-Turn Wirewound
 • Operating Temperature: 85°C max.
 • Power Rating: 5W
 • Tolerance: 5%

MOUSER STOCK NO.	Fig.	Values (Ω)	1	5	10
858-AR-VALUE	B	10, 25, 50, 100, 200, 500, 1K, 2K, 5K, 10K, 20K, 50K, 100K, 200K, 300K, 500K	63.04	60.71	49.03

Turns Counting Dials

For quantities greater than listed, call for quote.

MOUSER STOCK NO.	Fig.	Finish	Turns	Price Each		
				1	5	10
858-2606	C	Satin Chrome	20	26.25	24.17	22.41
858-RB	D	Satin Chrome	15	44.94	36.58	33.47

