

# PIHER Trimmer Potentiometers

# PIHER

## PIHER 10MM CERMET TRIMMERS

### Specifications:

- Power rating: 0.33W
- Temperature range: -40°C to +90°C
- Mechanical rotation: 235°±5°
- Electrical rotation: 220°±20°
- Linear taper
- Tolerance: ±20%

### Features:

- Cermet resistive element
- Dust proof enclosure
- Plastic material according to UL94V-0
- Alumina substrate

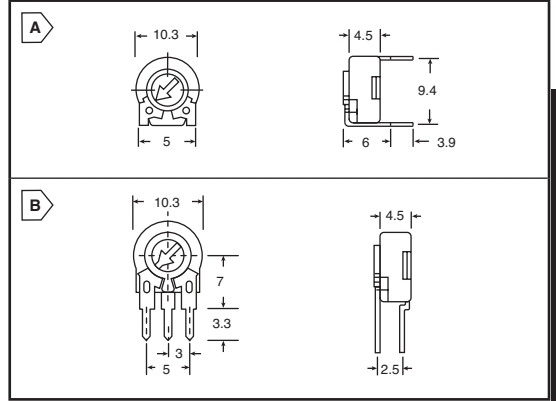
### Available upon Request:

- Wiper positioned at 50% or fully clockwise
- Supplied in magazines for automatic insertion
- Long life model for low cost control potentiometers applications
- Self extinguishable plastic UL 94V-0
- Cut track option
- Special tapers
- Mechanical detents
- Low and extra low torque versions
- Special switch option

For quantities greater than listed, call for quote.

| Price Each |     |     |      |      |
|------------|-----|-----|------|------|
| 1          | 100 | 500 | 1000 | 2000 |
| .85        | .73 | .68 | .64  | .61  |

DIMENSIONS: mm



| MOUSER STOCK NO.                        | Piher Part No.     | Fig. |
|---|--------------------|------|
| <b>Horizontal Mount/Vertical Adjust</b> |                    |      |
| 531-PTC10V-100                          | PTC10LV10-101A2020 | A    |
| 531-PTC10V-200                          | PTC10LV10-201A2020 | A    |
| 531-PTC10V-500                          | PTC10LV10-501A2020 | A    |
| 531-PTC10V-1K                           | PTC10LV10-102A2020 | A    |
| 531-PTC10V-2K                           | PTC10LV10-202A2020 | A    |
| 531-PTC10V-2.5K                         | PTC10LV10-252A2020 | A    |
| 531-PTC10V-5K                           | PTC10LV10-502A2020 | A    |
| 531-PTC10V-10K                          | PTC10LV10-103A2020 | A    |
| 531-PTC10V-20K                          | PTC10LV10-203A2020 | A    |
| 531-PTC10V-50K                          | PTC10LV10-503A2020 | A    |
| 531-PTC10V-100K                         | PTC10LV10-104A2020 | A    |
| 531-PTC10V-200K                         | PTC10LV10-204A2020 | A    |
| 531-PTC10V-250K                         | PTC10LV10-254A2020 | A    |
| 531-PTC10V-500K                         | PTC10LV10-504A2020 | A    |

| MOUSER STOCK NO.                        | Piher Part No.     | Fig. |
|---|--------------------|------|
| <b>Vertical Mount/Horizontal Adjust</b> |                    |      |
| 531-PTC10H-100                          | PTC10LH01-101A2020 | B    |
| 531-PTC10H-200                          | PTC10LH01-201A2020 | B    |
| 531-PTC10H-500                          | PTC10LH01-501A2020 | B    |
| 531-PTC10H-1K                           | PTC10LH01-102A2020 | B    |
| 531-PTC10H-2K                           | PTC10LH01-202A2020 | B    |
| 531-PTC10H-2.5K                         | PTC10LH01-252A2020 | B    |
| 531-PTC10H-5K                           | PTC10LH01-502A2020 | B    |
| 531-PTC10H-10K                          | PTC10LH01-103A2020 | B    |
| 531-PTC10H-20K                          | PTC10LH01-203A2020 | B    |
| 531-PTC10H-25K                          | PTC10LH01-253A2020 | B    |
| 531-PTC10H-50K                          | PTC10LH01-503A2020 | B    |
| 531-PTC10H-100K                         | PTC10LH01-104A2020 | B    |
| 531-PTC10H-200K                         | PTC10LH01-204A2020 | B    |
| 531-PTC10H-250K                         | PTC10LH01-254A2020 | B    |
| 531-PTC10H-500K                         | PTC10LH01-504A2020 | B    |

## PIHER 15MM CARBON TRIMMERS

### Specifications:

- Temperature range: -25°C to +70°C (-13°F + 158°F)
- Residual resistance: ≤3% Rn (30 min.)
- Tolerance: 100Ω-1mΩ ±20%
- 2mΩ-5mΩ ±30%
- Voltage max.: 250VDC (lin) 125VDC (no lin)
- Nominal power: 50°C (122°F), 0.25W (lin) 0.12W (no lin)

- Power rating: 0.25W
- Taper: Linear
- Electrical rotation: 250° ±20°
- Mechanical rotation: 265° to ±5°

### Available upon Request:

- Supplied in magazines for automatic insertion
- Wiper positioned at 50% or fully clockwise
- Long life model for low cost control potentiometers applications
- Self extinguishable plastic UL 94V-0
- Cut track option
- Special tapers
- Mechanical detents

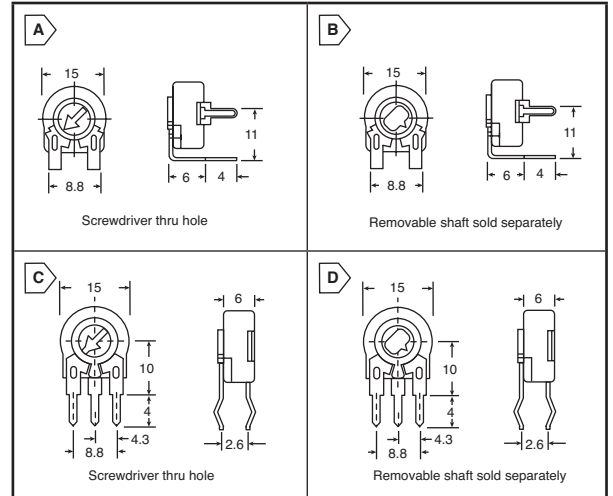
### Features:

- Carbon resistive element
- Dust proof enclosure
- Polyester substrate

For quantities greater than listed, call for quote.

| Price Each |     |     |      |      |
|------------|-----|-----|------|------|
| 1          | 100 | 500 | 1000 | 2000 |
| .50        | .41 | .38 | .34  | .33  |

DIMENSIONS: mm



| MOUSER STOCK NO.                        | Piher Part No.    | Fig. |
|---|-------------------|------|
| <b>Horizontal Mount/Vertical Adjust</b> |                   |      |
| 531-PT15D-100                           | PT15LV18-101A2020 | A    |
| 531-PT15D-200                           | PT15LV18-201A2020 | A    |
| 531-PT15D-250                           | PT15LV18-251A2020 | A    |
| 531-PT15D-500                           | PT15LV18-501A2020 | A    |
| 531-PT15D-1K                            | PT15LV18-102A2020 | A    |
| 531-PT15D-2K                            | PT15LV18-202A2020 | A    |
| 531-PT15D-2.5K                          | PT15LV18-252A2020 | A    |
| 531-PT15D-5K                            | PT15LV18-502A2020 | A    |
| 531-PT15D-10K                           | PT15LV18-103A2020 | A    |
| 531-PT15D-20K                           | PT15LV18-203A2020 | A    |
| 531-PT15D-25K                           | PT15LV18-253A2020 | A    |
| 531-PT15D-50K                           | PT15LV18-503A2020 | A    |
| 531-PT15D-100K                          | PT15LV18-104A2020 | A    |
| 531-PT15D-200K                          | PT15LV18-204A2020 | A    |
| 531-PT15D-250K                          | PT15LV18-254A2020 | A    |
| 531-PT15D-500K                          | PT15LV18-504A2020 | A    |
| 531-PT15D-1M                            | PT15LV18-105A2020 | A    |
| 531-PT15D-2M                            | PT15LV18-205A3030 | A    |
| 531-PT15D-2.5M                          | PT15LV18-255A3030 | A    |
| 531-PT15D-5M                            | PT15LV18-505A3030 | A    |
| 531-PT15NV-10K                          | PT15NV18-103A2020 | B    |
| 531-PT15NV-25K                          | PT15NV18-253A2020 | B    |
| 531-PT15NV-50K                          | PT15NV18-503A2020 | B    |
| 531-PT15NV-100K                         | PT15NV18-104A2020 | B    |

| MOUSER STOCK NO.                        | Piher Part No.    | Fig. |
|---|-------------------|------|
| <b>Vertical Mount/Horizontal Adjust</b> |                   |      |
| 531-PT15B-100                           | PT15LH06-101A2020 | C    |
| 531-PT15B-200                           | PT15LH06-201A2020 | C    |
| 531-PT15B-250                           | PT15LH06-251A2020 | C    |
| 531-PT15B-500                           | PT15LH06-501A2020 | C    |
| 531-PT15B-1K                            | PT15LH06-102A2020 | C    |
| 531-PT15B-2K                            | PT15LH06-202A2020 | C    |
| 531-PT15B-2.5K                          | PT15LH06-252A2020 | C    |
| 531-PT15B-5K                            | PT15LH06-502A2020 | C    |
| 531-PT15B-10K                           | PT15LH06-103A2020 | C    |
| 531-PT15B-20K                           | PT15LH06-203A2020 | C    |
| 531-PT15B-25K                           | PT15LH06-253A2020 | C    |
| 531-PT15B-50K                           | PT15LH06-503A2020 | C    |
| 531-PT15B-100K                          | PT15LH06-104A2020 | C    |
| 531-PT15B-200K                          | PT15LH06-204A2020 | C    |
| 531-PT15B-250K                          | PT15LH06-254A2020 | C    |
| 531-PT15B-500K                          | PT15LH06-504A2020 | C    |
| 531-PT15B-1M                            | PT15LH06-105A2020 | C    |
| 531-PT15B-2M                            | PT15LH06-205A3030 | C    |
| 531-PT15B-2.5M                          | PT15LH06-255A3030 | C    |
| 531-PT15B-5M                            | PT15LH06-505A3030 | C    |
| 531-PT15NH-10K                          | PT15NH06-103A2020 | D    |
| 531-PT15NH-1K                           | PT15NH06-102A2020 | D    |
| 531-PT15NH-2M                           | PT15NH06-205A3030 | D    |
| 531-PT15NH-50K                          | PT15NH06-503A2020 | D    |

## PIHER 15MM CERMET TRIMMERS

### Specifications:

- Mechanical rotation angle: 265° ±5°
- Electrical rotation angle: 250° ±20°
- Torque: 0.5 to 2.5Ncm. (0.7 to 3.4 in-oz)
- Stop torque: > 10Ncm. (>14 in-oz)
- Tolerance: 100Ω < Rn < 1M Ω ±20
- Max. voltage: 250VDC (lin) 125VDC (no lin)
- Nominal Power: 70°C (158°F) 0.50W (lin) 0.25W (no lin)
- Taper: Linear
- Residual resistance: ≤5.10 Rn (2Ω min.)
- Equivalent noise resistance: ≤ 3% Rn (3Ω min.)
- Operating temperature: -40°C + 90°C (-40°F + 194°F)

### Features:

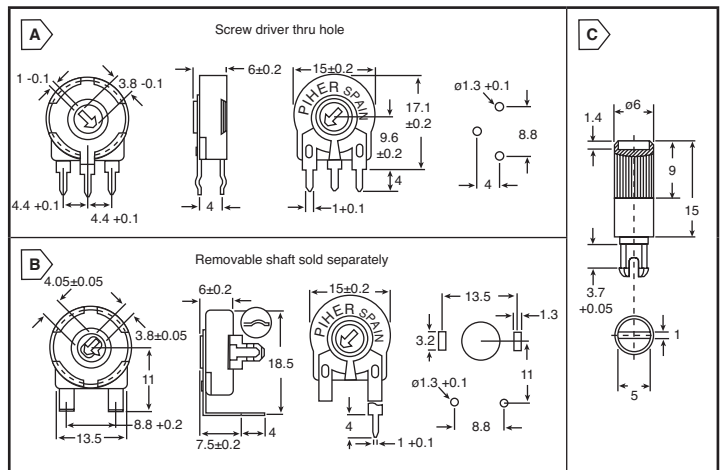
- Cermet resistive element
- Dust proof enclosure
- Plastic material according to UL94V-0
- Alumina substrate

### Available upon Request:

- Wiper positioned at 50% or fully clockwise
- Long life model for low cost control pot. applications
- Supplied in magazines for automatic insertion
- Low torque option
- Available as SPDT switch
- Special tapers
- Mechanical detents

For quantities greater than listed, call for quote.

| MOUSER STOCK NO.  | Piher Part No.     | Fig. | Price Each |      |      |      |      |
|-------------------|--------------------|------|------------|------|------|------|------|
|                   |                    |      | 1          | 25   | 50   | 100  | 200  |
| 531-PTC15LH06-250 | PTC15LH06-251A2020 | A    | 1.21       | 1.17 | 1.14 | 1.11 | 1.08 |
| 531-PTC15NV18-1K  | PTC15NV18-102A2020 | B    | 1.26       | 1.23 | 1.19 | 1.16 | 1.13 |
| <b>Shaft</b>      |                    |      |            |      |      |      |      |
| 531-5219CR        | XEJPL5219CR        | C    | .38        | .34  | .30  | .28  | .259 |



Single-Turn Trimmers Piher