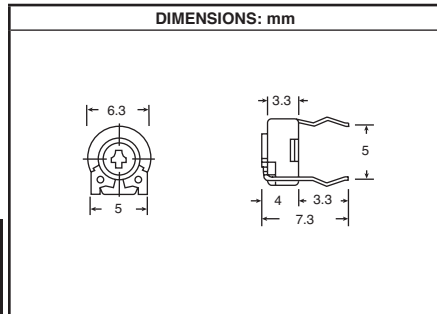


# PIHER Trimmer Potentiometers

# PIHER

Also available in vertical mount, horizontal adjust.

## PIHER 6MM CARBON TRIMMERS



**Features:**

- Carbon resistive element
- Dust proof enclosure
- Polyester substrate

**Features Upon Request:**

- Wiper positioned at 50% or fully clockwise
- Supplied in magazines for automatic insertion
- Long life model PT-6...E (10,000 cycles)
- Without crimping model PT-6...SC
- Housing available in self extinguishable plastic (VL94V0)

**Specifications:**

- Power rating: 0.1W
- Linear taper
- Temperature range: -25°C to +70°C
- Mechanical rotation: 235°±10°
- Electrical rotation: 200°±20°
- Tolerance: ±20%

For quantities greater than listed, call for quote.

Price Each			
1	100	500	1000
.25	.22	.21	.20

MOUSER STOCK NO.	Piher Part No.
<b>Horizontal Mount/Vertical Adjust</b>	
531-PT6KV-500	PT6KV-501A2020
531-PT6KV-1K	PT6KV-102A2020
531-PT6KV-2K	PT6KV-202A2020
531-PT6KV-2.5K	PT6KV-252A2020
531-PT6KV-5K	PT6KV-502A2020
531-PT6KV-10K	PT6KV-103A2020
531-PT6KV-20K	PT6KV-203A2020
531-PT6KV-25K	PT6KV-253A2020
531-PT6KV-47K	PT6KV-473A2020
531-PT6KV-50K	PT6KV-503A2020
531-PT6KV-100K	PT6KV-104A2020
531-PT6KV-500K	PT6KV-504A2020
531-PT6KV-1M	PT6KV-105A2020

Piher Single-Turn Trimmers

## PIHER 6MM CARBON POTENTIOMETERS

**Specifications:**

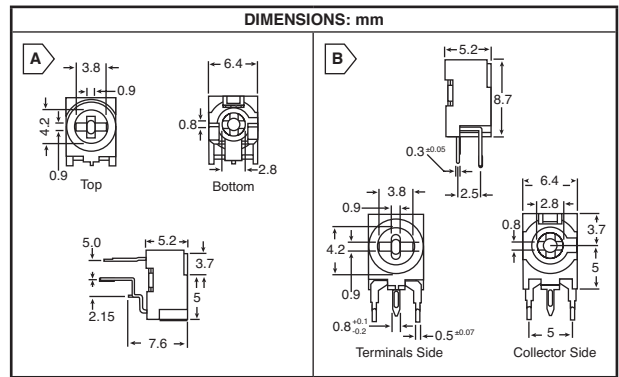
- Mechanical rotation angle: 280° ± 10°
- Torque: 0.2 to 3 Ncm. (0.28 to 4.2 in-oz)
- Tolerance: 100Ω ≤ Rn ≤ 1MΩ ±30
- Nominal power: 50°C (122°F): 0.1W
- Operating temperature: -25°C +70°C (-13°F +158°F)
- Electrical rotation angle: 245° ± 25°
- Stop Torque: >7.5 Ncm. (10.5 in-oz)
- Max. Voltage: 100VDC
- Taper: linear
- Equivalent noise resistance: ≤ 5%
- End resistance: ≤ 2% Rn (10Ω min.)

**Features:**

- Carbon resistive element
- Polyester substrate
- Over-moulding manufacturing technique
- Available as SMD
- Embossed tape (for SMD), tape on reel, ammpack and magazine packaging for automatic insertion and bulk for manual assembly
- Wiper positioned at 50%
- Both sides cross slot easy adjustment
- Accidental rotor movement protected
- Traceability insured through date code marking
- Assembly method: Stand up, lay down

For quantities greater than listed, call for quote.

Price Each			
1	100	500	1000
.25	.22	.21	.20



## PIHER 10MM CARBON TRIMMERS

**Specifications:**

- Power rating: 0.15W
- Temperature range: -25°C to +70°C
- Linear taper
- Electrical rotation: 220°±20°
- Mechanical rotation: 235°±10°
- 10,000 rotation life cycle
- Tolerance: 100Ω~1mΩ ±20%; 2mΩ~5mΩ ±30%

**Features:**

- Carbon resistive element
- Dust proof enclosure
- Polyester substrate

For quantities greater than listed, call for quote.

MOUSER STOCK NO.	Piher Part No.	Fig.
<b>Horizontal Mount/Vertical Adjust</b>		
531-PT10V-100	PT10LV10-101A2020	A
531-PT10V-200	PT10LV10-201A2020	A
531-PT10V-250	PT10LV10-251A2020	A
531-PT10V-500	PT10LV10-501A2020	A
531-PT10V-1K	PT10LV10-102A2020	A
531-PT10V-2K	PT10LV10-202A2020	A
531-PT10V-2.5K	PT10LV10-252A2020	A
531-PT10V-5K	PT10LV10-502A2020	A
531-PT10V-10K	PT10LV10-103A2020	A
531-PT10V-20K	PT10LV10-203A2020	A
531-PT10V-22K	PT10V10-223A2020	A
531-PT10V-25K	PT10LV10-253A2020	A
531-PT10V-50K	PT10LV10-503A2020	A
531-PT10V-100K	PT10LV10-104A2020	A
531-PT10V-200K	PT10LV10-204A2020	A
531-PT10V-250K	PT10LV10-254A2020	A
531-PT10V-500K	PT10LV10-504A2020	A
531-PT10V-1M	PT10LV10-105A2020	A
531-PT10V-2M	PT10LV10-205A3030	A
531-PT10V-2.5M	PT10LV10-255A3030	A
531-PT10V-5M	PT10LV10-505A3030	A
<b>Vertical Mount/Horizontal Adjust</b>		
531-PT10H-100	PT10LH01-101A2020	B
531-PT10H-200	PT10LH01-201A2020	B
531-PT10H-250	PT10LH01-251A2020	B
531-PT10H-500	PT10LH01-501A2020	B
531-PT10H-1K	PT10LH01-102A2020	B
531-PT10H-2K	PT10LH01-202A2020	B
531-PT10H-2.5K	PT10LH01-252A2020	B
531-PT10H-5K	PT10LH01-502A2020	B
531-PT10H-10K	PT10LH01-103A2020	B
531-PT10H-20K	PT10LH01-203A2020	B
531-PT10H-22K	PT10LH01-223A2020	B
531-PT10H-25K	PT10LH01-253A2020	B
531-PT10H-50K	PT10LH01-503A2020	B
531-PT10H-100K	PT10LH01-104A2020	B
531-PT10H-200K	PT10LH01-204A2020	B
531-PT10H-220K	PT10LH01-224A2020	B
531-PT10H-250K	PT10LH01-254A2020	B
531-PT10H-500K	PT10LH01-504A2020	B
531-PT10H-1M	PT10LH01-105A2020	B
531-PT10H-2M	PT10LH01-205A3030	B
531-PT10H-2.5M	PT10LH01-255A3030	B
531-PT10H-5M	PT10LH01-505A3030	B

MOUSER STOCK NO.	Piher Part No.	Fig.
<b>Horizontal Mount/Vertical Adjust</b>		
531-PT10MV-100	PT10MV10-101A2020	C
531-PT10MV-250	PT10MV10-251A2020	C
531-PT10MV-500	PT10MV10-501A2020	C
531-PT10MV-1K	PT10MV10-102A2020	C
531-PT10MV-2K	PT10MV10-202A2020	C
531-PT10MV-2.5K	PT10MV10-252A2020	C
531-PT10MV-5K	PT10MV10-502A2020	C
531-PT10MV-10K	PT10MV10-103A2020	C
531-PT10MV-20K	PT10MV10-203A2020	C
531-PT10MV-22K	PT10MV10-223A2020	C
531-PT10MV-25K	PT10MV10-253A2020	C
531-PT10MV-50K	PT10MV10-503A2020	C
531-PT10MV-100K	PT10MV10-104A2020	C
531-PT10MV-200K	PT10MV10-204A2020	C
531-PT10MV-220K	PT10MV10-224A2020	C
531-PT10MV-500K	PT10MV10-504A2020	C
531-PT10MV-1M	PT10MV10-105A2020	C
531-PT10MV-2M	PT10MV10-205A3030	C
531-PT10MV-2.5M	PT10MV10-255A3030	C
531-PT10MV-5M	PT10MV10-505A3030	C
<b>Vertical Mount/Horizontal Adjust</b>		
531-PT10MH-100	PT10MH01-101A2020	D
531-PT10MH-200	PT10MH01-201A2020	D
531-PT10MH-250	PT10MH01-251A2020	D
531-PT10MH-500	PT10MH01-501A2020	D
531-PT10MH-1K	PT10MH01-102A2020	D
531-PT10MH-2K	PT10MH01-202A2020	D
531-PT10MH-2.5K	PT10MH01-252A2020	D
531-PT10MH-5K	PT10MH01-502A2020	D
531-PT10MH-10K	PT10MH01-103A2020	D
531-PT10MH-20K	PT10MH01-203A2020	D
531-PT10MH-22K	PT10MH01-223A2020-PM	D
531-PT10MH-25K	PT10MH01-253A2020	D
531-PT10MH-50K	PT10MH01-503A2020	D
531-PT10MH-100K	PT10MH01-104A2020	D
531-PT10MH-200K	PT10MH01-204A2020	D
531-PT10MH-220K	PT10MH01-224A2020	D
531-PT10MH-250K	PT10MH01-254A2020	D
531-PT10MH-500K	PT10MH01-504A2020	D
531-PT10MH-1M	PT10MH01-105A2020	D
531-PT10MH-2M	PT10MH01-205A3030	D
531-PT10MH-2.5M	PT10MH01-255A3030	D
531-PT10MH-5M	PT10MH01-505A3030	D

Price Each				
1	100	500	1000	2000
.46	.36	.34	.32	.29

