

MURATA Trimmer Potentiometers and Angle Sensors



RoHS Compliant This product is RoHS compliant.

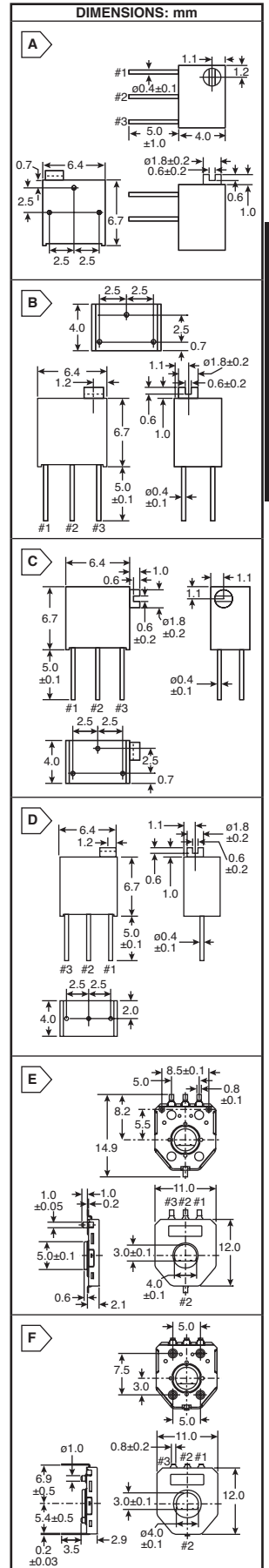
SMD MULTI-TURN TRIMMER POTENTIOMETERS, 12 TURNS CERMET

Features:

- 12 turn high resolution cermet
- Compatible with ultrasonic cleaning
- Clutch mechanism to prevent excessive wiper rotation

For quantities greater than listed, call for quote.

MOUSER STOCK NO.	Murata Part No.	Fig.	Value Ω	Power Rating (W)	Soldering Method	TCR (ppm / °C)	Price Each			
							1	50	100	500
81-PV37P200C01B00	PV37P200C01B00	A	20	0.25	Flow / Soldering Iron	±150	2.35	1.66	1.44	1.04
81-PV37P500C01B00	PV37P500C01B00	A	50	0.25	Flow / Soldering Iron	±150	2.35	1.66	1.44	1.04
81-PV37P101C01B00	PV37P101C01B00	A	100	0.25	Flow / Soldering Iron	±150	2.35	1.66	1.44	1.04
81-PV37P201C01B00	PV37P201C01B00	A	200	0.25	Flow / Soldering Iron	±150	2.35	1.66	1.44	1.04
81-PV37P501C01B00	PV37P501C01B00	A	500	0.25	Flow / Soldering Iron	±150	2.35	1.66	1.44	1.04
81-PV37P102C01B00	PV37P102C01B00	A	1K	0.25	Flow / Soldering Iron	±150	2.35	1.66	1.44	1.04
81-PV37P202C01B00	PV37P202C01B00	A	2K	0.25	Flow / Soldering Iron	±150	2.35	1.66	1.44	1.04
81-PV37P502C01B00	PV37P502C01B00	A	5K	0.25	Flow / Soldering Iron	±150	2.35	1.66	1.44	1.04
81-PV37P103C01B00	PV37P103C01B00	A	10K	0.25	Flow / Soldering Iron	±150	2.35	1.66	1.44	1.04
81-PV37P203C01B00	PV37P203C01B00	A	20K	0.25	Flow / Soldering Iron	±150	2.35	1.66	1.44	1.04
81-PV37P253C01B00	PV37P253C01B00	A	25K	0.25	Flow / Soldering Iron	±150	2.95	2.01	1.75	1.44
81-PV37P503C01B00	PV37P503C01B00	A	50K	0.25	Flow / Soldering Iron	±150	2.35	1.66	1.44	1.04
81-PV37P104C01B00	PV37P104C01B00	A	100K	0.25	Flow / Soldering Iron	±150	2.35	1.66	1.44	1.04
81-PV37P204C01B00	PV37P204C01B00	A	200K	0.25	Flow / Soldering Iron	±150	2.35	1.66	1.44	1.04
81-PV37P504C01B00	PV37P504C01B00	A	500K	0.25	Flow / Soldering Iron	±150	2.35	1.66	1.44	1.04
81-PV37P105C01B00	PV37P105C01B00	A	1000K	0.25	Flow / Soldering Iron	±150	2.35	1.66	1.44	1.04
81-PV37P205C01B00	PV37P205C01B00	A	2000K	0.25	Flow / Soldering Iron	±150	1.79	1.22	1.06	.875
81-PV37W200C01B00	PV37W200C01B00	B	20	0.25	Flow / Soldering Iron	±150	2.35	1.66	1.44	1.21
81-PV37W500C01B00	PV37W500C01B00	B	50	0.25	Flow / Soldering Iron	±150	2.35	1.66	1.44	1.21
81-PV37W101C01B00	PV37W101C01B00	B	100	0.25	Flow / Soldering Iron	±150	2.35	1.66	1.44	1.21
81-PV37W201C01B00	PV37W201C01B00	B	200	0.25	Flow / Soldering Iron	±150	2.35	1.66	1.44	1.21
81-PV37W501C01B00	PV37W501C01B00	B	500	0.25	Flow / Soldering Iron	±150	2.35	1.66	1.44	1.21
81-PV37W102C01B00	PV37W102C01B00	B	1K	0.25	Flow / Soldering Iron	±150	2.35	1.66	1.44	1.21
81-PV37W202C01B00	PV37W202C01B00	B	2K	0.25	Flow / Soldering Iron	±150	2.35	1.66	1.44	1.21
81-PV37W502C01B00	PV37W502C01B00	B	5K	0.25	Flow / Soldering Iron	±150	2.35	1.66	1.44	1.21
81-PV37W103C01B00	PV37W103C01B00	B	10K	0.25	Flow / Soldering Iron	±150	2.35	1.66	1.44	1.21
81-PV37W203C01B00	PV37W203C01B00	B	20K	0.25	Flow / Soldering Iron	±150	2.35	1.66	1.44	1.21
81-PV37W104C01B00	PV37W104C01B00	B	100K	0.25	Flow / Soldering Iron	±150	2.35	1.66	1.44	1.21
81-PV37W204C01B00	PV37W204C01B00	B	200K	0.25	Flow / Soldering Iron	±150	2.35	1.66	1.44	1.21
81-PV37W254C01B00	PV37W254C01B00	B	250K	0.25	Flow / Soldering Iron	±150	1.87	1.60	1.15	1.12
81-PV37W504C01B00	PV37W504C01B00	B	500K	0.25	Flow / Soldering Iron	±150	2.35	1.66	1.44	1.21
81-PV37W105C01B00	PV37W105C01B00	B	1000K	0.25	Flow / Soldering Iron	±150	2.35	1.66	1.44	1.21
81-PV37W205C01B00	PV37W205C01B00	B	2000K	0.25	Flow / Soldering Iron	±150	1.74	1.23	1.06	.875
81-PV37X200C01B00	PV37X200C01B00	C	20	0.25	Flow / Soldering Iron	±150	2.35	1.66	1.44	1.21
81-PV37X500C01B00	PV37X500C01B00	C	50	0.25	Flow / Soldering Iron	±150	2.35	1.66	1.44	1.21
81-PV37X101C01B00	PV37X101C01B00	C	100	0.25	Flow / Soldering Iron	±150	2.35	1.66	1.44	1.21
81-PV37X201C01B00	PV37X201C01B00	C	200	0.25	Flow / Soldering Iron	±150	2.35	1.66	1.44	1.21
81-PV37X501C01B00	PV37X501C01B00	C	500	0.25	Flow / Soldering Iron	±150	2.35	1.66	1.44	1.21
81-PV37X102C01B00	PV37X102C01B00	C	1K	0.25	Flow / Soldering Iron	±150	2.35	1.66	1.44	1.21
81-PV37X202C01B00	PV37X202C01B00	C	2K	0.25	Flow / Soldering Iron	±150	2.35	1.66	1.44	1.21
81-PV37X502C01B00	PV37X502C01B00	C	5K	0.25	Flow / Soldering Iron	±150	2.35	1.66	1.44	1.21
81-PV37X103C01B00	PV37X103C01B00	C	10K	0.25	Flow / Soldering Iron	±150	2.35	1.66	1.44	1.21
81-PV37X203C01B00	PV37X203C01B00	C	20K	0.25	Flow / Soldering Iron	±150	2.35	1.66	1.44	1.21
81-PV37X253C01B00	PV37X253C01B00	C	25K	0.25	Flow / Soldering Iron	±150	1.79	1.33	1.06	.96
81-PV37X503C01B00	PV37X503C01B00	C	50K	0.25	Flow / Soldering Iron	±150	2.35	1.66	1.44	1.21
81-PV37X104C01B00	PV37X104C01B00	C	100K	0.25	Flow / Soldering Iron	±150	2.35	1.66	1.44	1.21
81-PV37X204C01B00	PV37X204C01B00	C	200K	0.25	Flow / Soldering Iron	±150	2.35	1.66	1.44	1.21
81-PV37X254C01B00	PV37X254C01B00	C	250K	0.25	Flow / Soldering Iron	±150	1.94	1.49	1.35	1.23
81-PV37X504C01B00	PV37X504C01B00	C	500K	0.25	Flow / Soldering Iron	±150	2.35	1.66	1.44	1.21
81-PV37X105C01B00	PV37X105C01B00	C	1000K	0.25	Flow / Soldering Iron	±150	2.35	1.66	1.44	1.21
81-PV37X205C01B00	PV37X205C01B00	C	2000K	0.25	Flow / Soldering Iron	±150	1.79	1.22	1.06	.96
81-PV37Y200C01B00	PV37Y200C01B00	D	20	0.25	Flow / Soldering Iron	±150	1.74	1.23	1.06	.875
81-PV37Y500C01B00	PV37Y500C01B00	D	50	0.25	Flow / Soldering Iron	±150	2.95	2.36	1.75	1.60
81-PV37Y101C01B00	PV37Y101C01B00	D	100	0.25	Flow / Soldering Iron	±150	1.74	1.23	1.07	.875
81-PV37Y201C01B00	PV37Y201C01B00	D	200	0.25	Flow / Soldering Iron	±150	2.18	1.54	1.34	1.10
81-PV37Y501C01B00	PV37Y501C01B00	D	500	0.25	Flow / Soldering Iron	±150	2.46	1.89	1.72	1.56
81-PV37Y102C01B00	PV37Y102C01B00	D	1K	0.25	Flow / Soldering Iron	±150	2.46	1.89	1.72	1.56
81-PV37Y253C01B00	PV37Y253C01B00	D	25K	0.25	Flow / Soldering Iron	±150	1.94	1.37	1.22	1.14
81-PV37Y503C01B00	PV37Y503C01B00	D	50K	0.25	Flow / Soldering Iron	±150	2.46	1.89	1.72	1.56
81-PV37Y104C01B00	PV37Y104C01B00	D	100K	0.25	Flow / Soldering Iron	±150	1.74	1.38	1.07	.927
81-PV37Y204C01B00	PV37Y204C01B00	D	200K	0.25	Flow / Soldering Iron	±150	1.79	1.40	1.06	.96
81-PV37Y254C01B00	PV37Y254C01B00	D	250K	0.25	Flow / Soldering Iron	±150	2.99	2.04	1.77	1.60
81-PV37Y504C01B00	PV37Y504C01B00	D	500K	0.25	Flow / Soldering Iron	±150	1.74	1.23	1.06	.873
81-PV37Y205C01B00	PV37Y205C01B00	D	2000K	0.25	Flow / Soldering Iron	±150	1.87	1.60	1.15	1.12



Single-Turn Trimmers Murata

12MM ANGLE SENSOR DUST PROOF POTENTIOMETERS

Features:

- Dust-proof construction protects the interior from dust, which maintains stable characteristics
- Compliant to high peak temperature lead free soldering
- Excellent resistance materials and high reliability wiper achieves 1M cycles
- "D" formation thru-hole rotor enables selection of any kind of gear shape
- Ultra-thin size (2.1mm height)
- Au plated terminals without lead

For quantities greater than listed, call for quote.

MOUSER STOCK NO.	Murata Part No.	Fig.	Value Ω	Linearity (%)	Angle of Rotation	Mount	TCR (ppm / °C)	Price Each			
								1	50	100	500
81-SV01A103AEA01B00	SV01A103AEA01B00	E	10K	±2	333 1/3°	SMD	±500	1.65	1.44	1.26	1.23
81-SV01L103AEA11T00	SV01L103AEA11T00	F	10K	±2	333 1/3°	Through - Hole	±500	1.69	1.47	1.29	1.27

