

KINGBRIGHT Surface Mount LED Displays

Kingbright
WWW.KINGBRIGHTUSA.COM

RoHS Compliant This product is RoHS compliant.

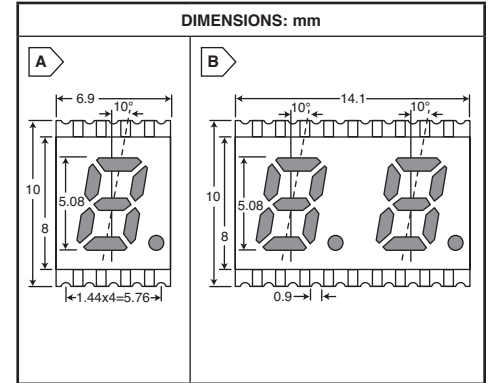


RoHS Compliant

.2" Numeric

For quantities greater than listed, call for quote.

MOUSER STOCK NO.	Kingbright Part No.	Fig.	Common Pin	Emitting Color	Peak Wavelength (nm)	Luminous Intensity (ucd)		Price Each			
						Min.	Typ.	1	100	500	1000
Single Digit											
604-ACSA02-41EWA	ACSA02-41EWA-F01	A	Anode	Red	625	1900	5800	2.00	1.10	.97	.86
604-ACSA02-41SGWA	ACSA02-41SGWA-F01	A	Anode	Green	568	3000	10000	1.94	1.06	.748	.624
604-ACSA02-41YWA	ACSA02-41YWA-F01	A	Anode	Yellow	588	800	1900	2.00	1.10	.97	.86
Dual Digit											
604-ACDA02-41EWA	ACDA02-41EWA-F01	B	Anode	Red	625	1900	5800	2.44	1.95	1.71	1.41
604-ACDA02-41SGWA	ACDA02-41SGWA-F01	B	Anode	Green	568	3000	10000	2.50	2.00	1.75	1.44
604-ACDA02-41YWA	ACDA02-41YWA-F01	B	Anode	Yellow	588	800	1900	2.44	1.95	1.71	1.41

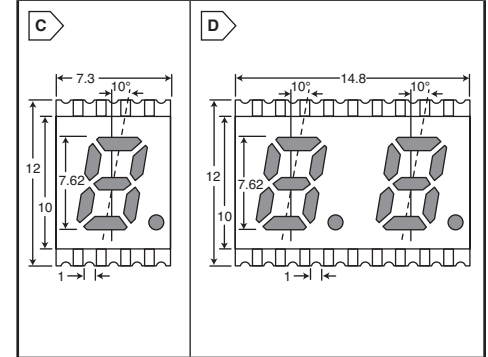


.3" Numeric

RoHS Compliant

For quantities greater than listed, call for quote.

MOUSER STOCK NO.	Kingbright Part No.	Fig.	Common Pin	Emitting Color	Peak Wavelength (nm)	Luminous Intensity (ucd)		Price Each			
						Min.	Typ.	1	100	500	1000
Single Digit											
604-ACSA03-41EWA	ACSA03-41EWA-F01	C	Anode	Red	625	1900	4210	2.21	1.10	.796	.73
604-ACSA03-41SGWA	ACSA03-41SGWA-F01	C	Anode	Green	568	1900	5600	2.28	1.25	.819	.75
604-ACSA03-41YWA	ACSA03-41YWA-F01	C	Anode	Yellow	588	800	2290	2.21	1.22	.80	.73
604-ACSA03-41PBWA	ACSA03-41PBWA-F01	C	Anode	Blue	466	1900	5000	4.68	3.12	2.65	2.34
Dual Digit											
604-ACDA03-41EWA	ACDA03-41EWA-F01	D	Anode	Red	625	1900	4210	2.44	1.95	1.71	1.41
604-ACDA03-41SGWA	ACDA03-41SGWA-F01	D	Anode	Green	568	1900	5600	2.44	1.95	1.71	1.41
604-ACDA03-41YWA	ACDA03-41YWA-F01	D	Anode	Yellow	588	800	2290	2.44	1.95	1.71	1.41

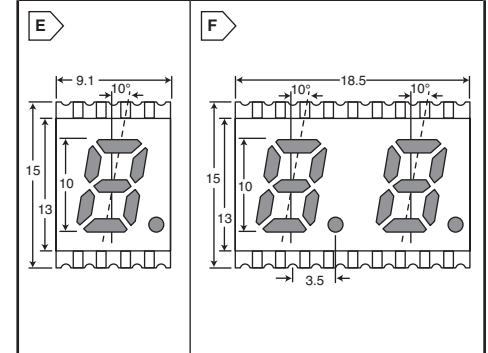


.4" Numeric

RoHS Compliant

For quantities greater than listed, call for quote.

MOUSER STOCK NO.	Kingbright Part No.	Fig.	Common Pin	Emitting Color	Peak Wavelength (nm)	Luminous Intensity (ucd)		Price Each			
						Min.	Typ.	1	100	500	1000
Single Digit											
604-ACSA04-41EWA	ACSA04-41EWA-F01	E	Anode	Red	625	1900	5000	2.21	1.22	.80	.73
604-ACSA04-41SGWA	ACSA04-41SGWA-F01	E	Anode	Green	568	3000	7000	2.39	1.31	.861	.787
604-ACSA04-41YWA	ACSA04-41YWA-F01	E	Anode	Yellow	588	800	2500	2.21	1.22	.80	.73
604-ACSA04-41PBWA	ACSA04-41PBWA/A-F01	E	Anode	Blue	466	1200	3600	5.04	3.36	2.86	2.52
Dual Digit											
604-ACDA04-41EWA	ACDA04-41EWA-F01	F	Anode	Red	625	1900	5000	2.44	1.95	1.71	1.41
604-ACDA04-41SGWA	ACDA04-41SGWA-F01	F	Anode	Green	568	3000	7000	2.72	2.17	1.91	1.57
604-ACDA04-41YWA	ACDA04-41YWA-F01	F	Anode	Yellow	588	800	2500	2.44	1.95	1.71	1.41
604-ACDA04-41PBWA	ACDA04-41PBWA/A-F01	F	Anode	Blue	466	1200	3600	6.72	5.71	5.04	4.37

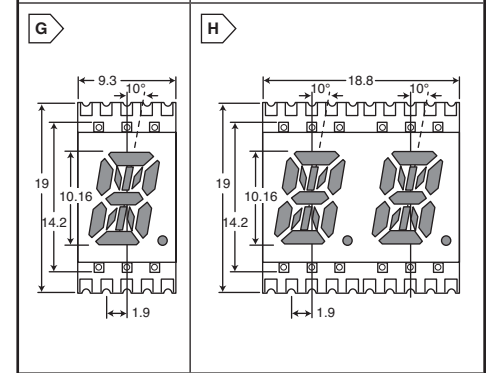


.4" Alphanumeric

RoHS Compliant

For quantities greater than listed, call for quote.

MOUSER STOCK NO.	Kingbright Part No.	Fig.	Common Pin	Emitting Color	Peak Wavelength (nm)	Luminous Intensity (ucd)		Price Each			
						Min.	Typ.	1	100	500	1000
Single Digit											
604-APPSA04-41YWA	APPSA04-41YWA	G	Anode	Yellow	588	1200	3400	1.85	1.48	1.30	1.07
Dual Digit											
604-APPDA04-41YWA	APPDA04-41YWA	H	Anode	Yellow	588	1200	3400	3.74	2.99	2.62	2.17



.56" Numeric

RoHS Compliant

For quantities greater than listed, call for quote.

MOUSER STOCK NO.	Kingbright Part No.	Fig.	Common Pin	Emitting Color	Peak Wavelength (nm)	Luminous Intensity (ucd)		Price Each			
						Min.	Typ.	1	100	500	1000
Single Digit											
604-ACSA56-41EWA	ACSA56-41EWA-F01	I	Anode	Red	625	3000	7400	2.21	1.22	.80	.73
604-ACSA56-41SGWA	ACSA56-41SGWA-F01	I	Anode	Green	568	4700	13200	2.88	1.58	1.22	1.05
604-ACSA56-41YWA	ACSA56-41YWA-F01	I	Anode	Yellow	588	1900	5000	2.21	1.22	.80	.73
604-ACSA56-41PBWA	ACSA56-41PBWA/A-F01	I	Anode	Blue	466	1900	5200	5.85	3.90	3.32	2.93
Dual Digit											
604-ACDA56-41EWA	ACDA56-41EWA-F01	J	Anode	Red	625	3000	7400	2.67	2.13	1.87	1.55
604-ACDA56-41SGWA	ACDA56-41SGWA-F01	J	Anode	Green	568	4700	13200	2.67	2.13	1.87	1.55
604-ACDA56-41YWA	ACDA56-41YWA-F01	J	Anode	Yellow	588	1900	5000	2.67	2.13	1.87	1.55
604-ACDA56-41PBWA	ACDA56-41PBWA/A-F01	J	Anode	Blue	466	1900	5200	9.45	7.56	6.62	5.48

