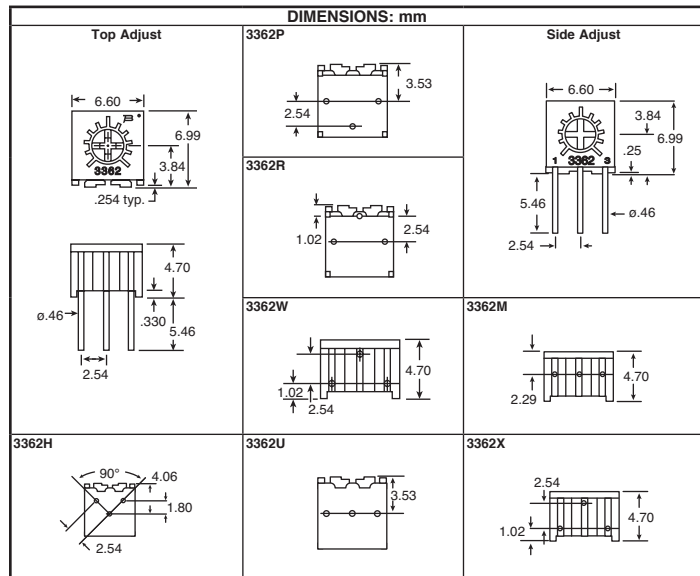


BOURNS Single-Turn Trimmer Potentiometers

RoHS Compliant This product is RoHS compliant.

BOURNS 3362 SERIES 1/4" SQUARE/ INDUSTRIAL/ SEALED



Features:

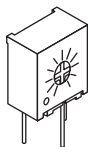
- Single turn / cermet / industrial / sealed
- Miniature package
- Rotor designed for automatic machine adjust interface
- Withstands harsh environments and immersion cleaning processes
- Available on tape and reel packaging

Specification:

- Resistance tolerance: $\pm 10\%$ std. (tighter tolerance available)
- Power rating: (300V max) 70°C - 0.50W; 125°C - 0W
- Temperature range: -55°C to +125°C
- Temperature coefficient: $\pm 100\text{ppm}/^\circ\text{C}$
- Rotational life: 200 cycles
- Seal test: 85°C fluorinert
- Marking: resistance code, terminal numbers, manufacturer's model number, style, and date code.



RoHS Compliant



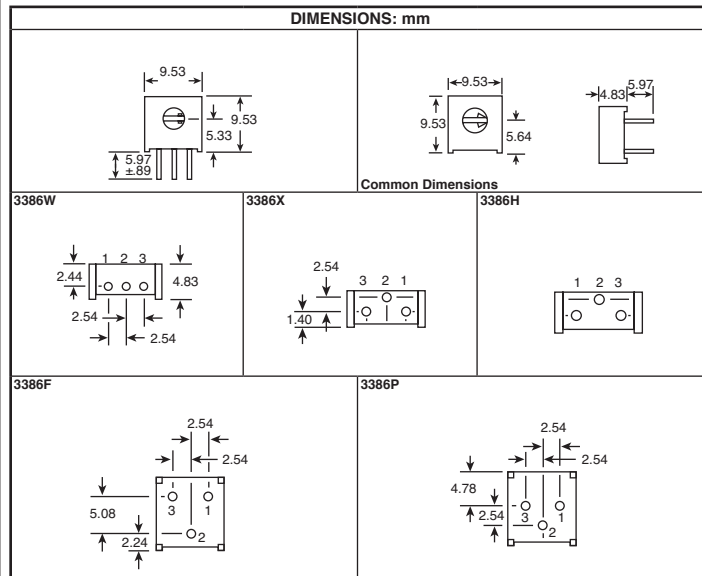
Series No.	Price Each						+2000
	1	10	50	100	500	1000	
3362H	.83	.75	.74	.71	.67	.62	Call for Quote
3362M	.83	.75	.74	.71	.67	.62	
3362P	.83	.75	.74	.71	.67	.62	
3362R	.83	.75	.74	.71	.67	.62	
3362U	.83	.75	.74	.71	.67	.62	
3362W	.83	.75	.74	.71	.67	.62	
3362X	.83	.75	.74	.71	.67	.62	

Value (Ω)	3362P Series	3362R Series	3362W Series
	MOUSER STOCK NO.		
100	652-3362P-1-101LF	652-3362R-1-101LF	652-3362W-1-101LF
200	652-3362P-1-201LF	652-3362R-1-201LF	652-3362W-1-201LF
500	652-3362P-1-501LF	652-3362R-1-501LF	652-3362W-1-501LF
1K	652-3362P-1-102LF	652-3362R-1-102LF	652-3362W-1-102LF
2K	652-3362P-1-202LF	652-3362R-1-202LF	652-3362W-1-202LF
5K	652-3362P-1-502LF	652-3362R-1-502LF	652-3362W-1-502LF
10K	652-3362P-1-103LF	652-3362R-1-103LF	652-3362W-1-103LF
20K	652-3362P-1-203LF	652-3362R-1-203LF	652-3362W-1-203LF
25K	652-3362P-1-253LF	652-3362R-1-253LF	652-3362W-1-253LF
50K	652-3362P-1-503LF	652-3362R-1-503LF	652-3362W-1-503LF
100K	652-3362P-1-104LF	652-3362R-1-104LF	652-3362W-1-104LF

Value (Ω)	3362H Series	3362M Series
	MOUSER STOCK NO.	
100	652-3362H-1-101LF	652-3362M-1-101LF
200	652-3362H-1-201LF	652-3362M-1-201LF
500	652-3362H-1-501LF	652-3362M-1-501LF
1K	652-3362H-1-102LF	652-3362M-1-102LF
2K	652-3362H-1-202LF	652-3362M-1-202LF
5K	652-3362H-1-502LF	652-3362M-1-502LF
10K	652-3362H-1-103LF	652-3362M-1-103LF
20K	652-3362H-1-203LF	652-3362M-1-203LF
25K	652-3362H-1-253LF	652-3362M-1-253LF
50K	652-3362H-1-503LF	652-3362M-1-503LF
100K	652-3362H-1-104LF	652-3362M-1-104LF

Value (Ω)	3362U Series	3362X Series
	MOUSER STOCK NO.	
100	652-3362U-1-101LF	652-3362X-1-101LF
200	652-3362U-1-201LF	652-3362X-1-201LF
500	652-3362U-1-501LF	652-3362X-1-501LF
1K	652-3362U-1-102LF	652-3362X-1-102LF
2K	652-3362U-1-202LF	652-3362X-1-202LF
5K	652-3362U-1-502LF	652-3362X-1-502LF
10K	652-3362U-1-103LF	652-3362X-1-103LF
20K	652-3362U-1-203LF	652-3362X-1-203LF
25K	652-3362U-1-253LF	652-3362X-1-253LF
50K	652-3362U-1-503LF	652-3362X-1-503LF
100K	652-3362U-1-104LF	652-3362X-1-104LF

BOURNS 3386 SERIES 3/8" SQUARE/ INDUSTRIAL/ SEALED



Features:

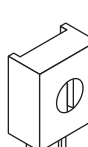
- Single turn / cermet / industrial / sealed
- Available on tape and reel
- Available with a knob for finger adjust
- Available with extended shaft
- Available with cross-slot rotor
- Top and side adjust types (F, P, H, W, X, most popular)

Specifications:

- Resistance tolerance: $\pm 10\%$ std. (tighter tolerance available)
- Absolute minimum resistance: 2 Ω max.
- Power rating: (300 volts max.) 85°C - 0.5 watt; 125°C - 0 watt
- Temperature range: -55°C to +125°C
- Temperature coefficient: $\pm 100\text{ppm}/^\circ\text{C}$
- Rotational life: 200 cycles



RoHS Compliant



Series No.	Price Each						+2000
	1	10	50	100	500	1000	
3386W	1.28	1.16	1.01	.80	.75	.71	Call for Quote
3386F	1.28	1.16	1.01	.80	.75	.71	
3386H	1.28	1.16	1.01	.80	.75	.71	
3386P	1.28	1.16	1.01	.80	.75	.71	
3386X	1.28	1.16	1.01	.80	.75	.71	

Value (Ω)	3386W Series	3386F Series	3386H Series
	MOUSER STOCK NO.		
50	652-3386W-1-500LF	652-3386F-1-500LF	652-3386H-1-500LF
100	652-3386W-1-101LF	652-3386F-1-101LF	652-3386H-1-101LF
200	652-3386W-1-201LF	652-3386F-1-201LF	652-3386H-1-201LF
500	652-3386W-1-501LF	652-3386F-1-501LF	652-3386H-1-501LF
1K	652-3386W-1-102LF	652-3386F-1-102LF	652-3386H-1-102LF
2K	652-3386W-1-202LF	652-3386F-1-202LF	652-3386H-1-202LF
5K	652-3386W-1-502LF	652-3386F-1-502LF	652-3386H-1-502LF
10K	652-3386W-1-103LF	652-3386F-1-103LF	652-3386H-1-103LF
20K	652-3386W-1-203LF	652-3386F-1-203LF	652-3386H-1-203LF
25K	652-3386W-1-253LF	652-3386F-1-253LF	652-3386H-1-253LF
50K	652-3386W-1-503LF	652-3386F-1-503LF	652-3386H-1-503LF
100K	652-3386W-1-104LF	652-3386F-1-104LF	652-3386H-1-104LF
200K	652-3386W-1-204LF	652-3386F-1-204LF	652-3386H-1-204LF
250K	652-3386W-1-254LF	652-3386F-1-254LF	652-3386H-1-254LF
500K	652-3386W-1-504LF	652-3386F-1-504LF	652-3386H-1-504LF
1M	652-3386W-1-105LF	652-3386F-1-105LF	652-3386H-1-105LF
2M	652-3386W-1-205LF	652-3386F-1-205LF	652-3386H-1-205LF

Value (Ω)	3386P Series	3386X Series
	MOUSER STOCK NO.	
50	652-3386P-1-500LF	652-3386X-1-500LF
100	652-3386P-1-101LF	652-3386X-1-101LF
200	652-3386P-1-201LF	652-3386X-1-201LF
500	652-3386P-1-501LF	652-3386X-1-501LF
1K	652-3386P-1-102LF	652-3386X-1-102LF
2K	652-3386P-1-202LF	652-3386X-1-202LF
5K	652-3386P-1-502LF	652-3386X-1-502LF
10K	652-3386P-1-103LF	652-3386X-1-103LF
20K	652-3386P-1-203LF	652-3386X-1-203LF
25K	652-3386P-1-253LF	652-3386X-1-253LF
50K	652-3386P-1-503LF	652-3386X-1-503LF
100K	652-3386P-1-104LF	652-3386X-1-104LF
200K	652-3386P-1-204LF	652-3386X-1-204LF
250K	652-3386P-1-254LF	652-3386X-1-254LF
500K	652-3386P-1-504LF	652-3386X-1-504LF
1M	652-3386P-1-105LF	652-3386X-1-105LF
2M	652-3386P-1-205LF	652-3386X-1-205LF