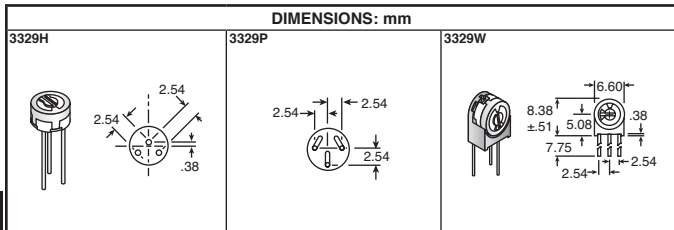


# BOURNS Single-Turn Trimmer Potentiometers

BOURNS®

RoHS Compliant This product is RoHS compliant.

## BOURNS® 3329 SERIES 1/4" SINGLE TURN ROUND / INDUSTRIAL / SEALED



RoHS Compliant

For quantities greater than listed, call for quote.

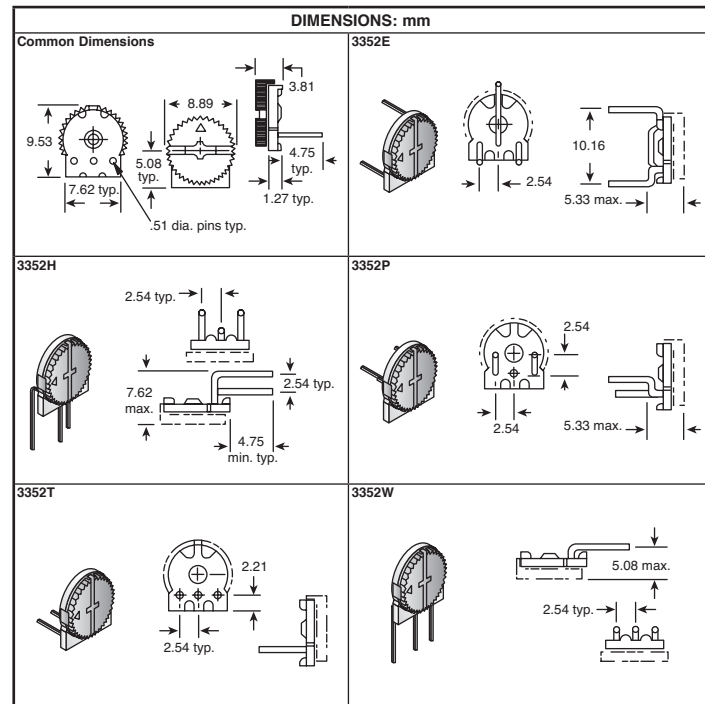
**Specifications:**

- Resistance tolerance: ±10% std.
- Power rating: 85°C - 0.50W; 150°C - 0W
- Temperature range: -55°C to +150°C
- Temperature coefficient: ±100ppm/°C

Series No.	Price Each					
	1	10	50	100	500	1000
3329H, 3329P	2.61	2.37	2.04	1.62	1.52	1.41
3329W	3.14	2.85	2.45	1.94	1.82	1.70

Value (Ω)	3329H Series	3329P Series	3329W Series
	MOUSER STOCK NO.		
50	652-3329H-1-500LF	652-3329P-1-500LF	652-3329W-1-500LF
100	652-3329H-1-101LF	652-3329P-1-101LF	652-3329W-1-101LF
200	652-3329H-1-201LF	652-3329P-1-201LF	652-3329W-1-201LF
500	652-3329H-1-501LF	652-3329P-1-501LF	652-3329W-1-501LF
1K	652-3329H-1-102LF	652-3329P-1-102LF	652-3329W-1-102LF
2K	652-3329H-1-202LF	652-3329P-1-202LF	652-3329W-1-202LF
5K	652-3329H-1-502LF	652-3329P-1-502LF	652-3329W-1-502LF
10K	652-3329H-1-103LF	652-3329P-1-103LF	652-3329W-1-103LF
20K	652-3329H-1-203LF	652-3329P-1-203LF	652-3329W-1-203LF
25K	652-3329H-1-253LF	652-3329P-1-253LF	652-3329W-1-253LF
50K	652-3329H-1-503LF	652-3329P-1-503LF	652-3329W-1-503LF
100K	652-3329H-1-104LF	652-3329P-1-104LF	652-3329W-1-104LF
200K	652-3329H-1-204LF	652-3329P-1-204LF	652-3329W-1-204LF
500K	652-3329H-1-504LF	652-3329P-1-504LF	652-3329W-1-504LF
1M	652-3329H-1-105LF	652-3329P-1-105LF	652-3329W-1-105LF

## BOURNS® 3352 SERIES 3/8" SINGLE TURN ROUND / CERMET / OPEN FRAME / TRIMMER



**Features:**

- Stable cermet element offers infinite resolution
- Very low profile
- Thumb and screwdriver adjustment



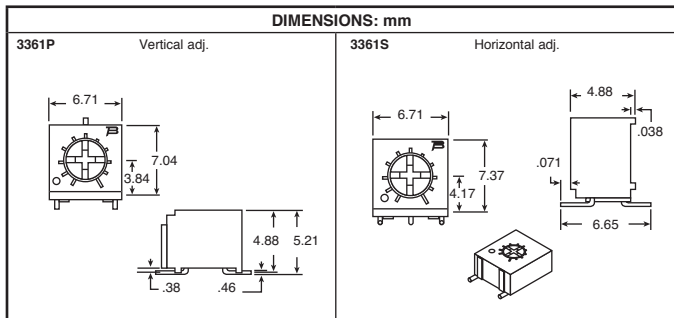
RoHS Compliant

**Specifications:**

- Resistance tolerance: ±20% std.
- Power rating: 85°C - 0.50W; 125°C - 0W
- Temperature range: -55°C to +125°C
- Temperature coefficient: ±100ppm/°C 2K and up; ±150ppm/°C below 2K

Series No.	Price Each						
	1	10	50	100	500	1000	+2000
3352E	1.24	1.12	.97	.79	.74	.70	Call for Quote
3352H	1.24	1.12	.97	.79	.74	.70	
3352P	1.24	1.12	.97	.79	.74	.70	
3352T	1.24	1.12	.97	.79	.74	.70	
3352W	1.24	1.12	.97	.79	.74	.70	

## BOURNS® 3361 SERIES 1/4" SQUARE / CERMET / SEALED



**Features:**

- Surface mount / single turn / industrial / sealed
- Miniature package
- Rotor designed for automatic machine adjust interface
- Withstands harsh environments and immersion
- Compatible with surface mount manufacturing processes

**Specification:**

- Resistance tolerance: ±10% std. (tighter tolerance available)
- Power rating: (300V max.) 70°C - 0.50W; 125°C - 0W
- Temp. range: -55°C to +125°C
- Temp. coefficient: ±100ppm/°C
- Rotational life: 200 cycles



RoHS Compliant

Series No.	Reel Qty.	Price Each					
		1	50	100	500	750	+2000
3361P	750	1.02	.88	.85	.73	.65	.59
3361S	500	1.66	1.46	1.33	1.11	-	1.00

Value (Ω)	3361P	3361S
	MOUSER STOCK NO.	
100	652-3361P-1-101GLF	652-3361S-1-101GLF
200	652-3361P-1-201GLF	652-3361S-1-201GLF
500	652-3361P-1-501GLF	652-3361S-1-501GLF
1K	652-3361P-1-102GLF	652-3361S-1-102GLF
2K	652-3361P-1-202GLF	652-3361S-1-202GLF
5K	652-3361P-1-502GLF	652-3361S-1-502GLF
10K	652-3361P-1-103GLF	652-3361S-1-103GLF
20K	652-3361P-1-203GLF	652-3361S-1-203GLF
25K	652-3361P-1-253GLF	652-3361S-1-253GLF
50K	652-3361P-1-503GLF	652-3361S-1-503GLF
100K	652-3361P-1-104GLF	652-3361S-1-104GLF

Value (Ω)	3352T Series	3352W Series	3352P Series
	MOUSER STOCK NO.		
50	652-3352E-1-500LF	652-3352H-1-500LF	652-3352P-1-500LF
100	652-3352E-1-101LF	652-3352H-1-101LF	652-3352P-1-101LF
200	652-3352E-1-201LF	652-3352H-1-201LF	652-3352P-1-201LF
500	652-3352E-1-501LF	652-3352H-1-501LF	652-3352P-1-501LF
1K	652-3352E-1-102LF	652-3352H-1-102LF	652-3352P-1-102LF
2K	652-3352E-1-202LF	652-3352H-1-202LF	652-3352P-1-202LF
5K	652-3352E-1-502LF	652-3352H-1-502LF	652-3352P-1-502LF
10K	652-3352E-1-103LF	652-3352H-1-103LF	652-3352P-1-103LF
20K	652-3352E-1-203LF	652-3352H-1-203LF	652-3352P-1-203LF
50K	652-3352E-1-503LF	652-3352H-1-503LF	652-3352P-1-503LF
100K	652-3352E-1-104LF	652-3352H-1-104LF	652-3352P-1-104LF
200K	652-3352E-1-204LF	652-3352H-1-204LF	652-3352P-1-204LF
500K	652-3352E-1-504LF	652-3352H-1-504LF	652-3352P-1-504LF
1M	652-3352E-1-105LF	652-3352H-1-105LF	652-3352P-1-105LF
2M	652-3352E-1-205LF	652-3352H-1-205LF	652-3352P-1-205LF

Value (Ω)	3352T Series	3352W Series
	MOUSER STOCK NO.	
50	652-3352T-1-500LF	652-3352W-1-500LF
100	652-3352T-1-101LF	652-3352W-1-101LF
200	652-3352T-1-201LF	652-3352W-1-201LF
500	652-3352T-1-501LF	652-3352W-1-501LF
1K	652-3352T-1-102LF	652-3352W-1-102LF
2K	652-3352T-1-202LF	652-3352W-1-202LF
5K	652-3352T-1-502LF	652-3352W-1-502LF
10K	652-3352T-1-103LF	652-3352W-1-103LF
20K	652-3352T-1-203LF	652-3352W-1-203LF
50K	652-3352T-1-503LF	652-3352W-1-503LF
100K	652-3352T-1-104LF	652-3352W-1-104LF
200K	652-3352T-1-204LF	652-3352W-1-204LF
500K	652-3352T-1-504LF	652-3352W-1-504LF
1M	652-3352T-1-105LF	652-3352W-1-105LF
2M	652-3352T-1-205LF	652-3352W-1-205LF