

Single-Turn Potentiometers

VISHAY Spectrol 148-149 SERIES 1/2" SQUARE SINGLE-TURN

General Specifications:

- Temperature: -20°C to +125°C
- PCB pins
- Electrical travel: 270°

149 Series:

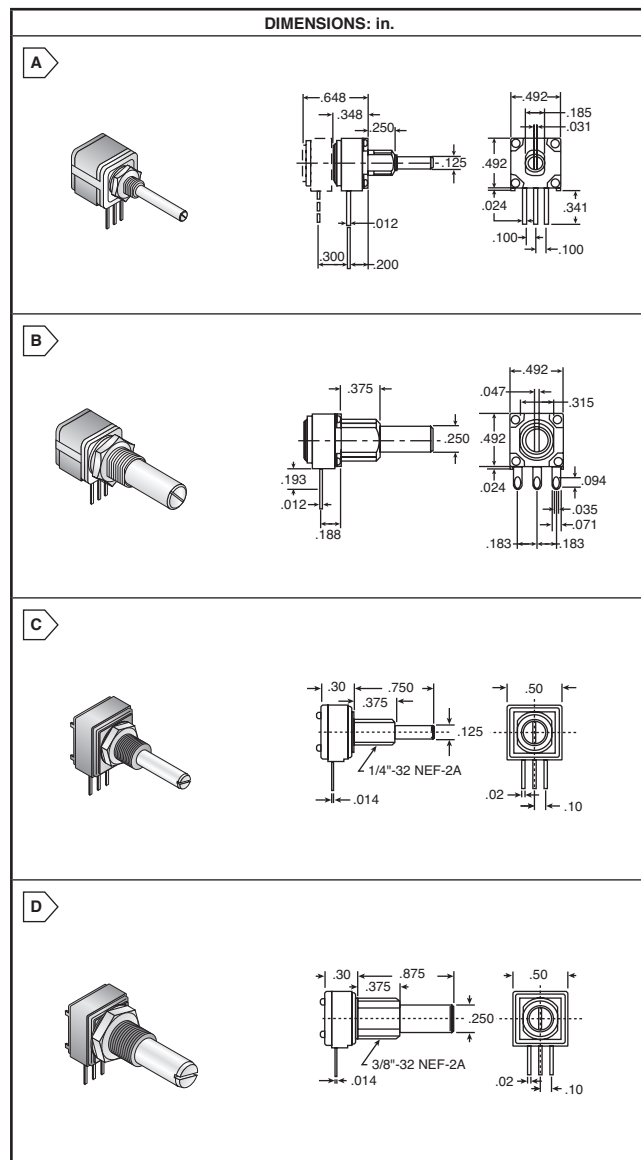
- Cermet element
- Rational life: 50,000
- Power rating: 1W @ 85°C, derating to 0W @ 150°C

148 Series:

- Conductive plastic element
- Rational life: 100,000
- Power rating: 0.5W at 70°C, derating to 0W @ 125°C

For quantities greater than listed, call for quote.

MOUSER STOCK NO.	Vishay Part No.	Fig	Value (Ω)	Tol. ±%	Price Each				
					1	10	25	50	100
Conductive Plastic Shaft Dia.: 1/4", Shaft Length: 7/8"									
594-148-7102	14810FAGJSX10102KA	A	1K	10	17.14	13.80	11.55	11.09	10.80
594-148-7103	14810FAGJSX10103KA	A	10K	10	17.14	13.80	11.55	11.09	10.80
594-148-7104	14810FAGJSX10104KA	A	100K	10	17.14	13.80	11.55	11.09	10.80
Conductive Plastic Shaft Dia.: 1/8", Shaft Length: 3/4"									
594-148-1502	14810AABHSX10502KA	A	5K	10	15.11	12.18	10.21	9.79	9.52
594-148-1103	14810AABHSX10103KA	A	10K	10	15.11	12.18	10.21	9.79	9.52
594-148-1503	14810AABHSX10503KA	A	50K	10	15.11	12.18	10.21	9.79	9.52
594-148-1104	14810AABHSX10104KA	A	100K	10	15.11	12.18	10.21	9.79	9.52
594-148-1105	14810AABHSX10105MA	A	1M	20	15.11	12.18	10.21	9.79	9.52
Cermet Shaft Dia.: 1/4", Shaft Length: 7/8"									
594-149-7102	14910FAGJSX10102KA	B	1K	10	16.72	13.47	11.20	10.75	10.45
594-149-7502	14910FAGJSX10502KA	B	5K	10	11.25	10.34	9.17	8.41	7.94
594-149-7103	14910FAGJSX10103KA	B	10K	10	16.72	13.47	11.20	10.75	10.45
594-149-7503	14910FAGJSX10503KA	B	50K	10	16.72	13.47	11.20	10.75	10.45
594-149-7104	14910FAGJSX10104KA	B	100K	10	16.72	13.47	11.20	10.75	10.45
Cermet Shaft Dia.: 1/8", Shaft Length: 3/4"									
594-149-1102	14910AABHSX10102KA	A	1K	10	14.59	11.75	9.85	9.43	9.19
594-149-1502	14910AABHSX10502KA	A	5K	10	14.59	11.75	9.85	9.43	9.19
594-149-1103	14910AABHSX10103KA	A	10K	10	14.59	11.75	9.85	9.43	9.19
594-149-1503	14910AABHSX10503KA	A	50K	10	14.59	11.75	9.85	9.43	9.19
594-149-1104	14910AABHSX10104KA	A	100K	10	14.59	11.75	9.85	9.43	9.19



VISHAY Spectrol 248-249 SERIES 1/2" SQUARE SINGLE-TURN

General Specifications:

- Temperature: -55°C to +125°C
- Rotational life: 50,000
- PCB Pins
- Electrical travel: 265° ±5°

Conductive Plastic:

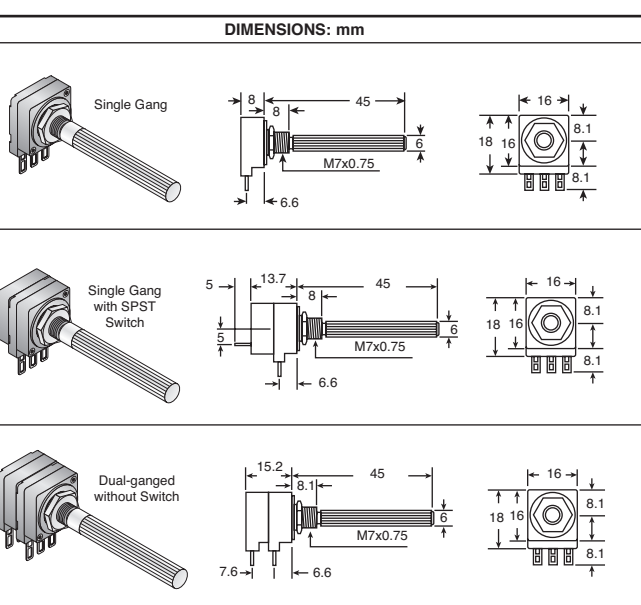
- Power rating: 0.5W @ 70°C, derating to 0W @ 125°C

Cermet:

- Power rating: 1W @ 70°C, derating to 0W @ 125°C

For quantities greater than listed, call for quote.

MOUSER STOCK NO.	Vishay Part No.	Fig	Value (Ω)	Tolerance ±%	Price Each				
					1	10	25	50	100
Conductive Plastic 1/8" Shaft Dia.									
594-248-1102	248-8-08-102	C	1K	20	12.84	10.39	8.27	7.61	7.17
594-248-1502	248-8-08-502	C	5K	20	12.84	10.39	8.27	7.61	7.17
594-248-1103	248-8-08-103	C	10K	20	12.84	10.39	8.27	7.61	7.17
594-248-1503	248-8-08-503	C	50K	20	12.84	10.39	8.27	7.61	7.17
594-248-1104	248-8-08-104	C	100K	20	12.84	10.39	8.27	7.61	7.17
Cermet 1/4" Shaft Dia.									
594-249-7102	249-9-10-102	D	1K	10	12.84	10.39	8.27	7.61	7.17
594-249-7502	249-9-10-502	D	5K	10	12.84	10.39	8.27	7.61	7.17
594-249-7103	249-9-10-103	D	10K	10	12.84	10.39	8.27	7.61	7.17
594-249-7503	249-9-10-503	D	50K	10	12.84	10.39	8.27	7.61	7.17
594-249-7104	249-9-10-104	D	100K	10	12.84	10.39	8.27	7.61	7.17



PIHER 16MM CARBON SINGLE-TURN POTENTIOMETERS

PC16 Series

A completely insulated potentiometer. Made of autoextinguishable plastic UL94V-0. This modular design, which allows up to four potentiometers and a switch on a common shaft, is available in custom configurations by special order. Call any Mouser service representative for details.

Specifications:

- Tolerance: ±20%
- Nominal power (40°C): 0.25W
- Nominal voltage: 500V
- Temperature range: -25°C to +70°C
- Linear taper
- Mechanical angle of rotation: 300°±5°
- Electrical angle of rotation: 280°±20°
- Switch contact rating: 1A @ 250V
- Solder lug terminals

For quantities greater than listed, call for quote.

MOUSER STOCK NO.	Piher Part No.	Fig	Price Each		
			1	25	50
531-PC16SC-1K	PC16SH07CP06102A2020TA	A	1.66	1.60	1.46
531-PC16SC-10K	PC16SH07CP06103A2020TA	A	4.40	3.96	3.52
531-PC16SC-100K	PC16SH07CP06104A2020TA	A	1.66	1.60	1.46
531-PC16SC1A-10K	PC16SH07CP06103A2020CTA	B	4.69	4.49	4.12
531-PC16SC1A-100K	PC16SH07CP06104A2020CTA	B	4.13	3.96	3.63
531-PC16SC1A-500K	PC16SH07CP06504A2020CTA	B	4.13	3.96	3.63
531-PC16DC-1K	PC16DH07CP06102A2020TA	C	3.92	3.76	3.45
531-PC16DC-10K	PC16DH07CP06103A2020TA	C	4.24	4.07	3.73
531-PC16DC-100K	PC16DH07CP06104A2020TA	C	3.92	3.76	3.45
531-PC16DC-500K	PC16DH07CP06504A2020TA	C	3.18	3.05	2.80

Potentiometers