

# ALPHA Miniature Potentiometers



This product is RoHS compliant.

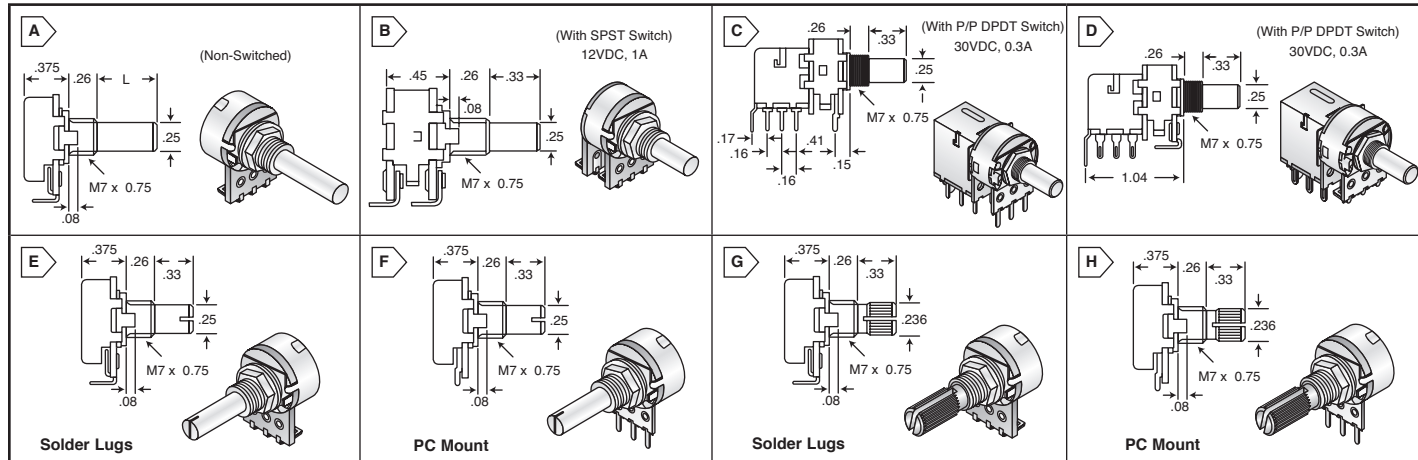
## ALPHA 16MM MINIATURE CARBON COMPOSITION

- Rated voltage: 200VDC linear; 150V audio
- Rotation angle: 300°±5°
- Insulation resistance: >100MΩ
- Breakdown voltage: 500VAC for 1 minute
- Tolerance: <1M: ±20%, ≥1M: ±30%



RoHS Compliant

DIMENSIONS: in



### Linear & Audio Taper

- Shaft (L): .53"
- Linear Taper: 0.125 Watts
- Audio Taper: 0.6 Watts

MOUSER STOCK NO.		Fig.	Value (Ω)
Linear	Audio		
31JN301-F	31JA301-F	A	1K
31JN302-F	31JA302-F	A	2K
31JN305-F	31JA305-F	A	5K
31JN401-F	31JA401-F	A	10K
31JN405-F	31JA405-F	A	50K
31JN501-F	31JA501-F	A	100K
31JN505-F	31JA505-F	A	500K
31JN601-F	31JA601-F	A	1MEG

### Linear Taper 0.125 Watts; Shaft (L): .33"

MOUSER STOCK NO.	Fig.	Description	Value (Ω)	Price Each			
				1	10	100	500
313-1000F-Value	A	---	1K, 2K, 5K, 10K, 25K, 50K, 100K, 250K, 500K, & 1M	1.38	1.15	1.06	.97
313-2000F-Value	A	Center Detent	1K, 2K, 5K, 10K, 25K, 50K, 100K, 250K, 500K, & 1M	1.68	1.39	1.27	1.15
313-3000F-Value	A	11 detent positions	1K, 2K, 5K, 10K, 25K, 50K, 100K, 250K, 500K, & 1M	1.97	1.69	1.54	1.39
313-1100F-Value	B	With SPST switch	1K, 5K, 10K, 50K, 100K, 500K, & 1M	2.37	1.97	1.79	1.63
313-1600F-Value	C	With DPDT switch	1K, 10K, 50K, & 100K	4.14	3.45	3.14	2.85
313-1601F-Value	D	With DPDT switch	1K, 5K, 10K, 50K, 100K, 250K, & 500K	4.14	3.45	3.14	2.85

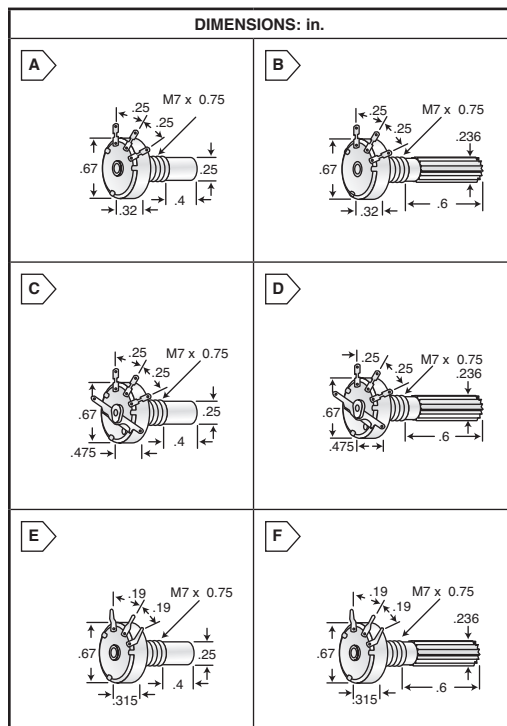
### Audio Taper 0.6 Watts; Shaft (L): .33"

MOUSER STOCK NO.	Fig.	Description	Value (Ω)	Price Each			
				1	10	100	500
313-1500F-Value	E	Screwdriver Shaft, Solder Lug	1K, 2K, 5K, 10K, 25K, 50K, 100K, 250K, 500K, & 1M	1.50	1.27	1.09	1.00
313-1510F-Value	F	Screwdriver Shaft, PC Mount	1K, 2K, 5K, 10K, 25K, 50K, 100K, 250K, 500K, & 1M	1.50	1.27	1.09	1.00
313-1520F-Value	G	Knurled Shaft, Solder Lugs	1K, 2K, 5K, 10K, 25K, 50K, 100K, 250K, 500K, & 1M	1.50	1.27	1.09	1.00
313-1530F-Value	H	Knurled Shaft, PC Mount	1K, 2K, 5K, 10K, 25K, 50K, 100K, 250K, 500K, & 1M	1.50	1.27	1.09	1.00
313-4000F-Value	A	Round Shaft, Solder Lugs, 11 Detents	10K, 50K, 100K, & 1M	1.97	1.69	1.54	1.39

### Reverse Audio Taper 0.6 Watts; Shaft (L): .33"

MOUSER STOCK NO.	Fig.	Description	Value (Ω)	Price Each			
				1	10	100	500
313-1560F-Value	E	Screwdriver Shaft, Solder Lug	1K, 2K, 5K, 10K, 25K, 50K, 100K, 250K, 500K, & 1M	1.50	1.27	1.09	1.00
313-1540F-Value	F	Screwdriver Shaft, PC Mount	1K, 2K, 5K, 10K, 25K, 50K, 100K, 250K, 500K, & 1M	1.50	1.27	1.09	1.00
313-1570F-Value	G	Knurled Shaft, Solder Lug	1K, 2K, 5K, 10K, 25K, 50K, 100K, 250K, 500K, & 1M	1.50	1.27	1.09	1.00
313-1550F-Value	H	Knurled Shaft, PC Mount	1K, 2K, 5K, 10K, 25K, 50K, 100K, 250K, 500K, & 1M	1.50	1.27	1.09	1.00

Price Each			
1	10	100	500
1.38	1.15	1.04	.85



## ALPHA 17MM MINIATURE CARBON COMPOSITION

Potentiometers have aluminum shafts, bushings, body is plated steel with bakelite rear plate. Contacts and terminals are silver plated brass. Each is supplied with one hex nut and one flat washer. Tolerance: ±20%

RoHS Compliant

### Linear Taper

- Rated: 0.1W
- For quantities greater than listed, call for quote.

MOUSER STOCK NO.	Fig.	Value (Ω)	Price Each			
			1	10	100	500
31CN205-F	A	500	1.62	1.35	1.26	1.14
31CN301-F	A	1K	1.50	1.25	1.17	1.06
31CN302-F	A	2K	1.50	1.25	1.17	1.06
31CN305-F	A	5K	1.50	1.25	1.17	1.06
31CN401-F	A	10K	1.50	1.25	1.17	1.06
31CN405-F	A	50K	1.50	1.25	1.17	1.06
31CN501-F	A	100K	1.50	1.25	1.17	1.06
31CN505-F	A	500K	1.50	1.25	1.17	1.06
31CN601-F	A	1 MEG	1.62	1.35	1.26	1.14
31CN602-F	A	2 MEG	1.62	1.35	1.26	1.14
31CR205-F	B	500	1.50	1.25	1.17	1.06
31CR301-F	B	1K	1.50	1.25	1.17	1.06
31CR305-F	B	5K	1.50	1.25	1.17	1.06
31CR401-F	B	10K	1.50	1.25	1.17	1.06
31CR405-F	B	50K	1.50	1.25	1.17	1.06
31CR501-F	B	100K	1.50	1.25	1.17	1.06
31CR505-F	B	500K	1.50	1.25	1.17	1.06

### Linear Taper with Switch

- Rated: 0.1W
- For quantities greater than listed, call for quote.

MOUSER STOCK NO.	Fig.	Value (Ω)	Price Each			
			1	10	100	500
31CQ301-F	C	1K	2.10	1.68	1.36	1.16
31CQ305-F	C	5K	2.10	1.68	1.36	1.16
31CQ401-F	C	10K	2.10	1.68	1.36	1.16
31CQ405-F	C	50K	2.10	1.68	1.36	1.16
31CQ501-F	C	100K	2.10	1.68	1.36	1.16
31CQ505-F	C	500K	2.10	1.68	1.36	1.16
31CQ601-F	C	1 MEG	2.25	1.80	1.46	1.25

### Audio Taper with Switch

- Rated: 0.05W
- For quantities greater than listed, call for quote.

MOUSER STOCK NO.	Fig.	Value (Ω)	Price Each			
			1	10	100	500
31CC301-F	C	1K	2.10	1.68	1.36	1.16
31CC401-F	C	10K	2.10	1.68	1.36	1.16
31CC501-F	C	100K	2.10	1.68	1.36	1.16
31CB301F	D	1K	2.10	1.68	1.36	1.16
31CB305F	D	5K	2.10	1.68	1.36	1.16
31CB401F	D	10K	2.10	1.68	1.36	1.16
31CB501F	D	100K	2.10	1.68	1.36	1.16

### Linear Taper PC Mount

- Rated: 0.1W
- For quantities greater than listed, call for quote.

MOUSER STOCK NO.	Fig.	Value (Ω)	Price Each			
			1	10	100	500
31CW205F	E	500	1.62	1.35	1.26	1.14
31CW301F	E	1K	1.50	1.25	1.17	1.06
31CW305F	E	5K	1.50	1.25	1.17	1.06
31CW401F	E	10K	1.50	1.25	1.17	1.06
31CW405F	E	50K	1.50	1.25	1.17	1.06
31CW501F	E	100K	1.50	1.25	1.17	1.06
31CW505F	E	500K	1.50	1.25	1.17	1.06
31CW601F	E	1 MEG	1.62	1.35	1.26	1.14
31CA205F	F	500	1.50	1.25	1.17	1.06
31CA301F	F	1K	1.50	1.25	1.17	1.06
31CA305F	F	5K	1.50	1.25	1.17	1.06
31CA401F	F	10K	1.50	1.25	1.17	1.06
31CA405F	F	50K	1.50	1.25	1.17	1.06
31CA501F	F	100K	1.50	1.25	1.17	1.06