

ALPHA 12mm Potentiometers

This product is RoHS compliant.



RoHS Compliant

DIMENSIONS: mm

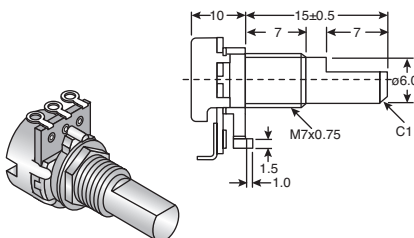
One hex nut and one washer are included with each potentiometer.

If needed, additional hardware is available.

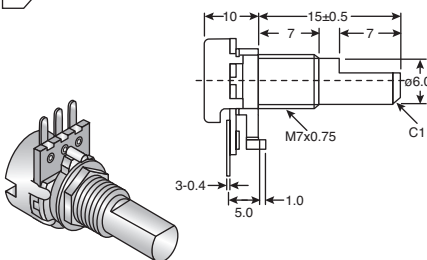
Knobs are found in the knob pages of the electromechanical section.

Other shaft styles available upon request.

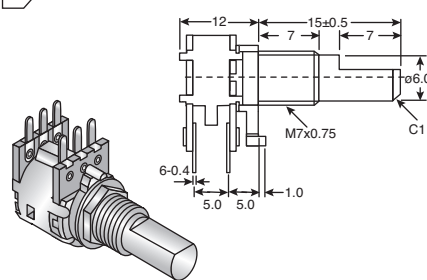
A



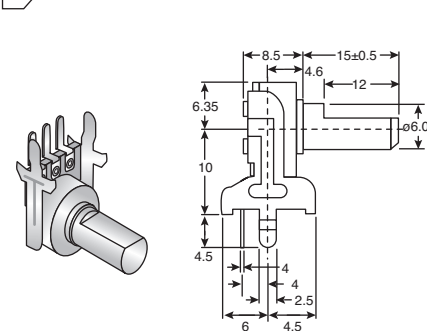
B



C



D



ALPHA SINGLE POT SOLDER LUG

Features:

- Rotation Angle: ±300°
- Rated Wattage: Linear Taper 0.08W; Audio Tapers 0.04W
- Rated Voltage: Linear 150V; Audio 100V
- Rotation Life: 15,000 Cycles
- Terminations: Solder Lugs
- Flat / "D" Shaft: 6.0mm diameter

For quantities greater than listed, call for quote.

MOUSER STOCK NO.	Alpha Stock No.	Fig.	Taper	Value (Ω)	Price Each			
					1	10	100	500
313-1200F-1K	RV120F-10-15F-A1K	A	Audio	1K	2.16	1.60	1.33	1.19
313-1200F-5K	RV120F-10-15F-A5K	A	Audio	5K	2.16	1.60	1.33	1.19
313-1200F-10K	RV120F-10-15F-A10K	A	Audio	10K	2.16	1.60	1.33	1.19
313-1200F-50K	RV120F-10-15F-A50K	A	Audio	50K	2.16	1.60	1.33	1.19
313-1200F-100K	RV120F-10-15F-A100K	A	Audio	100K	2.16	1.60	1.33	1.19
313-1200F-500K	RV120F-10-15F-A500K	A	Audio	500K	2.16	1.60	1.33	1.19
313-1200F-1M	RV120F-10-15F-A1M	A	Audio	1M	2.16	1.60	1.33	1.19
313-1210F-1K	RV120F-10-15F-B1K	A	Linear	1K	2.16	1.60	1.33	1.19
313-1210F-5K	RV120F-10-15F-B5K	A	Linear	5K	2.16	1.60	1.33	1.19
313-1210F-10K	RV120F-10-15F-B10K	A	Linear	10K	2.16	1.60	1.33	1.19
313-1210F-50K	RV120F-10-15F-B50K	A	Linear	50K	2.16	1.60	1.33	1.19
313-1210F-100K	RV120F-10-15F-B100K	A	Linear	100K	2.16	1.60	1.33	1.19
313-1210F-500K	RV120F-10-15F-B500K	A	Linear	500K	2.16	1.60	1.33	1.19
313-1210F-1M	RV120F-10-15F-B1M	A	Linear	1M	2.16	1.60	1.33	1.19

ALPHA SINGLE POT PC MOUNT

Features:

- Rotation Angle: ±300°
- Rated Wattage: Linear Taper 0.08W; Audio Tapers 0.04W
- Rated Voltage: Linear 150V; Audio 100V
- Rotation Life: 15,000 Cycles
- Terminations: PC Mount
- Flat/"D" Shaft: 6.0mm diameter

For quantities greater than listed, call for quote.

MOUSER STOCK NO.	Alpha Stock No.	Fig.	Taper	Value (Ω)	Price Each			
					1	10	100	500
313-1220F-1K	RV120F-20-15F-A1K	B	Audio	1K	2.16	1.60	1.33	1.19
313-1220F-5K	RV120F-20-15F-A5K	B	Audio	5K	2.16	1.60	1.33	1.19
313-1220F-10K	RV120F-20-15F-A10K	B	Audio	10K	2.16	1.60	1.33	1.19
313-1220F-50K	RV120F-20-15F-A50K	B	Audio	50K	2.16	1.60	1.33	1.19
313-1220F-100K	RV120F-20-15F-A100K	B	Audio	100K	2.16	1.60	1.33	1.19
313-1220F-500K	RV120F-20-15F-A500K	B	Audio	500K	2.16	1.60	1.33	1.19
313-1220F-1M	RV120F-20-15F-A1M	B	Audio	1M	2.16	1.60	1.33	1.19
313-1230F-1K	RV120F-20-15F-B1K	B	Linear	1K	2.16	1.60	1.33	1.19
313-1230F-5K	RV120F-20-15F-B5K	B	Linear	5K	2.16	1.60	1.33	1.19
313-1230F-10K	RV120F-20-15F-B10K	B	Linear	10K	2.16	1.60	1.33	1.19
313-1230F-50K	RV120F-20-15F-B50K	B	Linear	50K	2.16	1.60	1.33	1.19
313-1230F-100K	RV120F-20-15F-B100K	B	Linear	100K	2.16	1.60	1.33	1.19
313-1230F-500K	RV120F-20-15F-B500K	B	Linear	500K	2.16	1.60	1.33	1.19
313-1230F-1M	RV120F-20-15F-B1M	B	Linear	1M	2.16	1.60	1.33	1.19

ALPHA DUAL POT PC MOUNT

Features:

- Rotation Angle: ±300°
- Rated Wattage: Linear Taper 0.08W; Audio Tapers 0.04W
- Rated Voltage: Linear 150V; Audio 100V
- Rotation Life: 15,000 Cycles
- Terminations: PC Mount
- Flat/"D" Shaft: 6.0mm diameter

For quantities greater than listed, call for quote.

MOUSER STOCK NO.	Alpha Stock No.	Fig.	Taper	Value (Ω)	Price Each			
					1	10	100	500
313-1240F-1K	RV122F-20-15F-A1K	C	Audio	1K	3.16	2.18	1.98	1.80
313-1240F-5K	RV122F-20-15F-A5K	C	Audio	5K	3.16	2.18	1.98	1.80
313-1240F-10K	RV122F-20-15F-A10K	C	Audio	10K	3.16	2.18	1.98	1.80
313-1240F-50K	RV122F-20-15F-A50K	C	Audio	50K	3.16	2.18	1.98	1.80
313-1240F-100K	RV122F-20-15F-A100K	C	Audio	100K	3.16	2.18	1.98	1.80
313-1240F-500K	RV122F-20-15F-A500K	C	Audio	500K	3.16	2.18	1.98	1.80
313-1240F-1M	RV122F-20-15F-A1M	C	Audio	1M	3.16	2.18	1.98	1.80
313-1250F-1K	RV122F-20-15F-B1K	C	Linear	1K	3.16	2.18	1.98	1.80
313-1250F-5K	RV122F-20-15F-B5K	C	Linear	5K	3.16	2.18	1.98	1.80
313-1250F-10K	RV122F-20-15F-B10K	C	Linear	10K	3.16	2.18	1.98	1.80
313-1250F-50K	RV122F-20-15F-B50K	C	Linear	50K	3.16	2.18	1.98	1.80
313-1250F-100K	RV122F-20-15F-B100K	C	Linear	100K	3.16	2.18	1.98	1.80
313-1250F-500K	RV122F-20-15F-B500K	C	Linear	500K	3.16	2.18	1.98	1.80
313-1250F-1M	RV122F-20-15F-B1M	C	Linear	1M	3.16	2.18	1.98	1.80

ALPHA PLASTIC SHAFT SINGLE POT PC MOUNT

Features:

- Rotation Angle: ±300°
- Rated Wattage: Linear Taper 0.08W; Audio Tapers 0.04W
- Rated Voltage: Linear 150V; Audio 100V
- Rotation Life: 15,000 Cycles
- Terminations: PC Mount
- Flat/"D" Shaft: 6.0mm diameter

For quantities greater than listed, call for quote.

MOUSER STOCK NO.	Alpha Stock No.	Fig.	Taper	Value (Ω)	Price Each			
					1	10	100	500
313-1280F-1K	RV120DF-20-15A-A1K	D	Audio	1K	2.07	1.44	1.19	1.09
313-1280F-5K	RV120DF-20-15A-A5K	D	Audio	5K	2.07	1.44	1.19	1.09
313-1280F-10K	RV120DF-20-15A-A10K	D	Audio	10K	2.07	1.44	1.19	1.09
313-1280F-50K	RV120DF-20-15A-A50K	D	Audio	50K	2.07	1.44	1.19	1.09
313-1280F-100K	RV120DF-20-15A-A100K	D	Audio	100K	2.07	1.44	1.19	1.09
313-1280F-500K	RV120DF-20-15A-A500K	D	Audio	500K	2.07	1.44	1.19	1.09
313-1280F-1M	RV120DF-20-15A-A1M	D	Audio	1M	2.07	1.44	1.19	1.09
313-1285F-1K	RV120DF-20-15A-B1K	D	Linear	1K	2.07	1.44	1.19	1.09
313-1285F-5K	RV120DF-20-15A-B5K	D	Linear	5K	2.07	1.44	1.19	1.09
313-1285F-10K	RV120DF-20-15A-B10K	D	Linear	10K	2.07	1.44	1.19	1.09
313-1285F-50K	RV120DF-20-15A-B50K	D	Linear	50K	2.07	1.44	1.19	1.09
313-1285F-100K	RV120DF-20-15A-B100K	D	Linear	100K	2.07	1.44	1.19	1.09
313-1285F-500K	RV120DF-20-15A-B500K	D	Linear	500K	2.07	1.44	1.19	1.09
313-1285F-1M	RV120DF-20-15A-B1M	D	Linear	1M	2.07	1.44	1.19	1.09