

ALPHA PC Mount, Snap-in and Thumbwheel Potentiometers



ALPHA

• Knobs for rotary potentiometers on this page are found in the electromechanical section.

7MM PC MOUNT POTENTIOMETERS

ALPHA

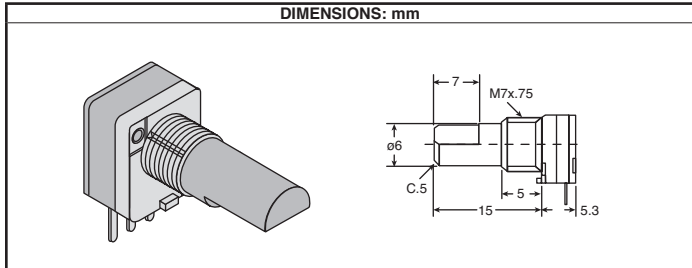
Specifications:

- Rated voltage: 100VAC
- Rated wattage: 0.05W
- Insulation resistance: 100MQ @250 VDC
- Breakdown voltage: 300VAC for 1 minute
- Rotation angle: 300°±10°
- Rotation Torque: 10 to 150g/cm
- Rotational life: 15,000 cycles



RoHS Compliant

DIMENSIONS: mm



For quantities greater than listed, call for quote.

MOUSER STOCK NO.	Taper	Value (Ω)	Price Each			
			1	10	100	500
311-701AF-Value	Audio	5K, 10K, 50K, 100K	2.95	2.74	2.45	1.87
311-701BF-Value	Linear	5K, 10K, 50K	2.95	2.74	2.45	1.87

9MM PC MOUNT LINEAR TAPER POTENTIOMETERS

ALPHA

Electrical Specifications:

- Rated wattage: 0.05W
- Rated voltage: 50VAC

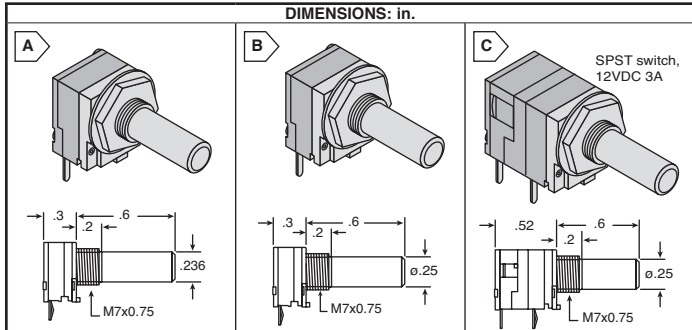
Mechanical Specifications:

- Rotation angle: 300°±5°
- Rotation torque: 20 to 250g/cm
- Tolerance: ±20%
- Insulation resistance: >100MQ @ 250VDC
- Breakdown voltage: 300VAC for 1 minute



RoHS Compliant

DIMENSIONS: in.



For quantities greater than listed, call for quote.

MOUSER STOCK NO.	Fig.	Value (Ω)	Price Each			
			1	10	100	500
311-1901F-Value	A	1K, 5K, 10K, 50K, 100K	3.50	2.87	2.66	2.38
311-1902F-Value	B	1K, 5K, 10K, 50K, 100K	3.50	2.87	2.66	2.38
311-1903F-Value	C	1K, 5K, 10K, 50K, 100K	5.40	4.86	4.32	3.02

10MM SUBMINIATURE THUMBWHEEL PC MOUNT POTENTIOMETERS

ALPHA

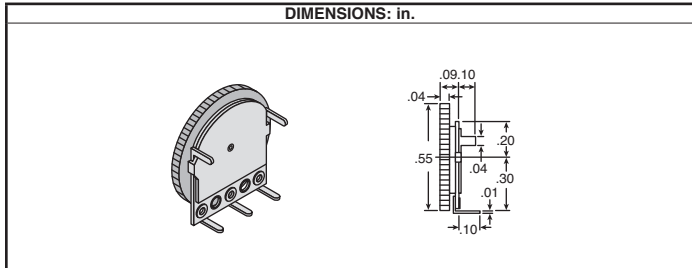
Specifications:

- Power rating: .03W
- Rotation angle: 270° ±5°
- Linear taper
- Complete with knob
- Rotation torque: 10-100gf-cm
- Rotation life: 10,000 cycles
- Resistance tolerance: <1M: ±20%, ≥1M: ±30%



RoHS Compliant

DIMENSIONS: in.



For quantities greater than listed, call for quote.

MOUSER STOCK NO.	Value (Ω)	Price Each			
		1	10	100	500
312-1001F-Value	1K, 5K, 10K, 50K, 100K, 500K, 1M	1.40	1.06	.93	.90

© Copyright 2012 Mouser Electronics

9MM SNAP-IN POTENTIOMETERS

ALPHA

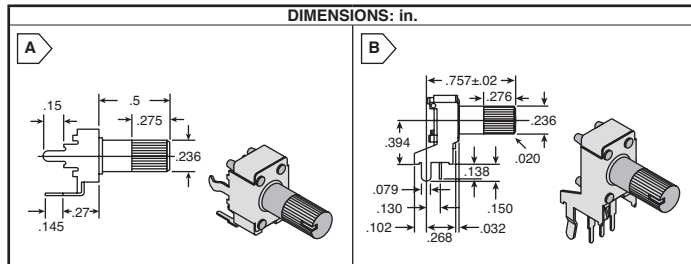
Specifications:

- Rated voltage: 50VAC
- Rated wattage: 0.1W
- Tolerance: <1M: ±20%, ≥1M: ±30%
- Rotation angle: 280°±5°
- Rotational life: 10,000 cycles



RoHS Compliant

DIMENSIONS: in.



For quantities greater than listed, call for quote.

MOUSER STOCK NO.	Fig.	Taper	Value (Ω)	Price Each			
				1	10	100	500
Vertical Mount							
317-2080F-Value	A	Audio	1K, 2K, 5K, 10K	1.11	.93	.87	.79
317-2090F-Value	A	Linear	50K, 100K, 500K, 1M	1.11	.93	.87	.79
Horizontal Mount							
317-2081F-Value	B	Audio	1K, 2K, 5K, 10K	1.11	.93	.87	.79
317-2091F-Value	B	Linear	50K, 100K, 500K, 1M	1.11	.93	.87	.79

11MM SNAP-IN VERTICAL MOUNT POTENTIOMETERS

ALPHA

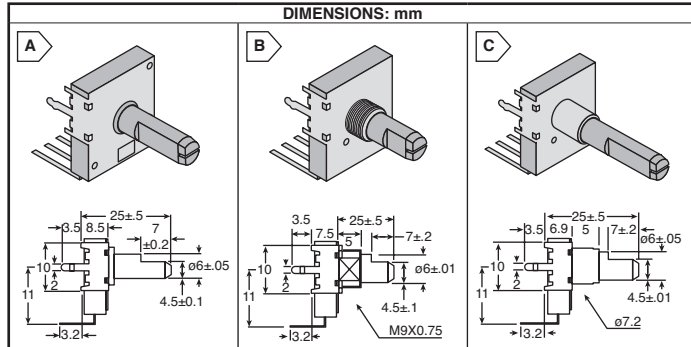
Specifications:

- Rated voltage: 150V linear 100V audio
- Rated wattage: 0.08W linear 0.04W audio
- Tolerance: <1M ±20% ≥1M ±30%
- Rotational angle: 300° ±5°
- Rotational life: 10,000 cycles



RoHS Compliant

DIMENSIONS: mm



For quantities greater than listed, call for quote.

MOUSER STOCK NO.	Fig.	Taper	Value (Ω)	Price Each			
				1	10	100	500
317-2200F-Value	A	Linear	1K, 2K, 5K, 10K, 50K	2.50	1.67	1.52	1.38
317-2201F-Value	B	Linear		2.69	1.79	1.63	1.49
317-2202F-Value	C	Linear	10K, 50K	2.69	1.79	1.63	1.49
317-2100F-Value	A	Audio	100K, 500K, 1M	2.50	1.67	1.52	1.38
317-2101F-Value	B	Audio		2.69	1.79	1.63	1.49
317-2102F-Value	C	Audio		2.69	1.79	1.63	1.49

12MM MINIATURE THUMBWHEEL POTENTIOMETERS WITH 25MM KNOB

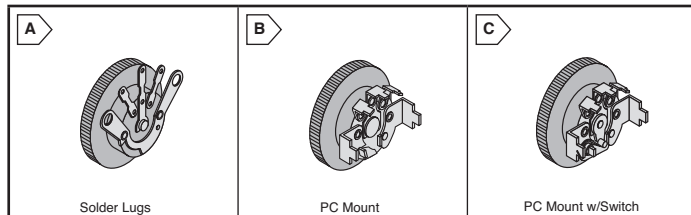
ALPHA

Specifications:

- Resistance tolerance: ±20%
- Switch contact rating: 12VDC-1A



RoHS Compliant



For quantities greater than listed, call for quote.

MOUSER STOCK NO.	Fig.	Value (Ω)	Max. Voltage	Watts	Price Each			
					1	10	100	500
Audio Taper								
311-1201F-Value	A	1K, 10K, 100K, 500K	100V	.04W	1.58	1.26	1.15	1.03
311-1202F-Value	B	5K, 10K, 50K, 100K, 500K	100V	.04W	1.58	1.26	1.15	1.03
311-1204F-Value	C	1K, 5K, 10K, 50K, 500K	100V	.04W	1.38	1.10	.96	.86
Linear Taper								
311-1205F-Value	A	10K, 100K	150V	.08W	1.67	1.41	1.23	1.14
311-1206F-Value	B	1K, 5K, 10K, 100K	150V	.08W	1.58	1.26	1.15	1.03

© Copyright 2012 Mouser Electronics