

ETI SYSTEMS Linear Potentiometers and Joysticks

RoHS Compliant This product is RoHS compliant.



CONDUCTIVE PLASTIC PRECISION LINEAR MOTION POTENTIOMETERS

LCP12 Series

- Black Anodized Aluminum Body, Stainless Steel Shaft, Gold Plated Terminals
- Life Expectancy: 20 million strokes
- Resistance Tolerance: ±20% (±10% Available)
- Electrical Stroke: 1" to 4"
- Friction: 1.8 oz.

For quantities greater than listed, call for quote.

MOUSER STOCK NO.	ETI Systems Part No.	Fig.	Ohms	Shaft Type	Stroke (mm)	Linearity (Ind.)	Power Rating	Dimensions: in.		Price Each		
								A	B	1	5	10
882-LCP12S-12-10K	LCP12S-12-10K	A	10K	Spring Return	12	±1.5%	0.2W	1.50	1.26	118.44	109.32	102.27
882-LCP12B-25-5K	LCP12B-25-5K	A	5K	#5-40 Thread	25	±1.0%	0.4W	2.00	1.77	123.67	117.37	109.80
882-LCP12S-25-1K	LCP12S-25-1K	A	1K	Spring Return	25	±1.0%	0.4W	2.00	1.77	143.89	131.88	125.62
882-LCP12S-25-10K	LCP12S-25-10K	A	10K	Spring Return	25	±1.0%	0.4W	2.00	1.77	143.89	131.88	125.62
882-LCP12A-50-5K	LCP12A-50-5K	A	5K	#4-40 Thread	50	±0.7%	0.7W	3.00	2.75	151.74	143.83	134.57
882-LCP12A-50-10K	LCP12A-50-10K	A	10K	#4-40 Thread	50	±0.7%	0.7W	3.00	2.75	151.74	143.83	134.57
882-LCP12B-50-5K	LCP12B-50-5K	A	5K	#5-40 Thread	50	±0.7%	0.7W	3.00	2.75	151.74	143.83	134.57
882-LCP12B-50-10K	LCP12B-50-10K	A	10K	#5-40 Thread	50	±0.7%	0.7W	3.00	2.75	151.74	143.83	134.57
882-LCP12S-100-10K	LCP12S-100-10K	A	10K	Spring Return	50	±0.7%	0.7W	3.00	2.75	176.21	167.77	157.39
882-LCP12S-100-10K	LCP12S-100-10K	A	10K	Spring Return	100	±0.5%	1.2W	5.00	4.76	208.86	197.79	192.32

LCP8 Series

- Life Expectancy: 20 million strokes
- Electrical Stroke: 0.433-0.500 inches
- Resistance Tolerance: ±15% (±10% Available)
- Friction: 30 grams

For quantities greater than listed, call for quote.

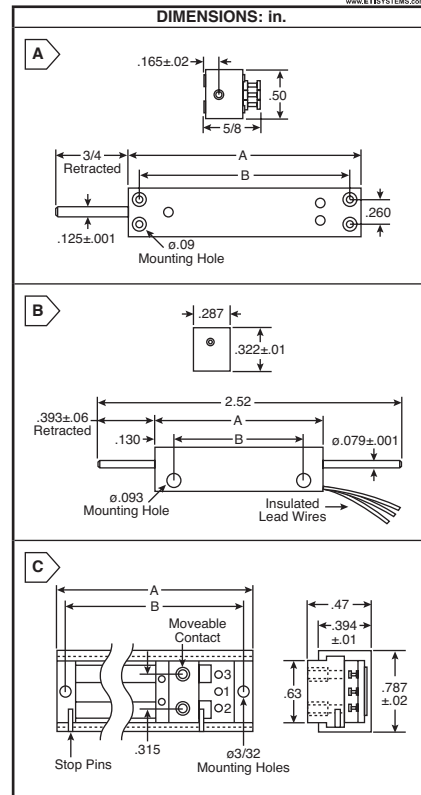
MOUSER STOCK NO.	ETI Systems Part No.	Fig.	Ohms	Shaft Type	Stroke (mm)	Linearity (Ind.)	Power Rating	Dimensions: in.		Price Each		
								A	B	1	5	10
882-LCP8P-10-5K	LCP8P-10-5K	B	5K	Plain	10	±2.0%	0.2W	1.259	1.00	53.85	48.42	44.39
882-LCP8P-10-10K	LCP8P-10-10K	B	10K	Plain	10	±2.0%	0.2W	1.259	1.00	53.85	48.42	44.39
882-LCP8S-10-5K	LCP8S-10-5K	B	5K	Spring Return	10	±2.0%	0.2W	1.259	1.00	71.67	66.74	62.91
882-LCP8S-10-10K	LCP8S-10-10K	B	10K	Spring Return	10	±2.0%	0.2W	1.259	1.00	71.67	66.74	62.91
882-LCP8T-10-10K	LCP8T-10-10K	B	10K	#2-56 Thread UNC-2A	10	±2.0%	0.2W	1.259	1.00	71.67	66.74	62.91

LCPL SERIES: OPEN FRAME LINEAR POTENTIOMETERS

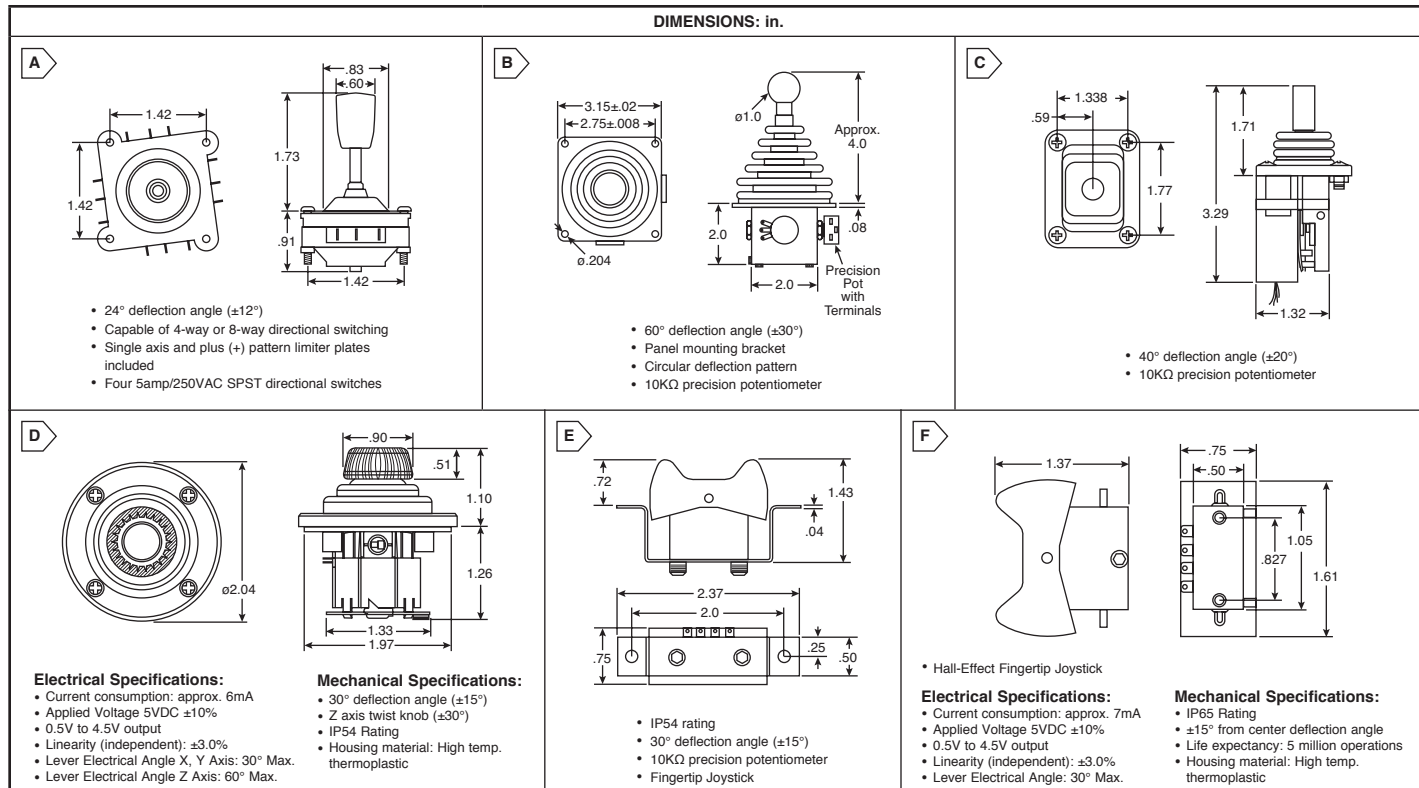
- Conductive Plastic Element
- Open Frame with Moveable Contact Slider
- Anodized Aluminum Housing, Gold Plated Brass Terminals
- Life Expectancy: 10 million strokes
- Resistance Tolerance: ±20% (±10% Available)
- Electrical Stroke: 7.874" to 39.567"

For quantities greater than listed, call for quote.

MOUSER STOCK NO.	ETI Systems Part No.	Fig.	Ohms	Linearity (Independent)	Power Rating	Stroke (mm)	Dimensions: in.		Price Each		
							A	B	1	5	10
882-LCPL200-5K	LCPL200-5K	C	5K	±0.5%	2.0 Watts	200	9.843	13.780	160.48	153.13	141.67
882-LCPL300-10K	LCPL300-10K	C	10K	±0.5%	2.5 Watts	300	9.450	13.386	236.88	220.18	204.32



Precision Pots
ETI Systems



HIGH PRECISION JOYSTICK CONTROLS

For quantities greater than listed, call for quote.

MOUSER STOCK NO.	ETI Systems Part No.	Fig.	Description	Price Each			MOUSER STOCK NO.	ETI Systems Part No.	Fig.	Description	Price Each		
				1	5	10					1	5	10
882-J1-00105	J1-00105	A	Two Axis	35.47	33.40	31.71	882-J30H-XYZ-B	J30H-XYZ-B	D	Triple Axis Hall-Effect	228.48	208.32	199.27
882-J50-CR20-S	J50-CR20-SMB	B	Two Axis	590.79	573.07	555.34	882-J3R-I-10K	J3R-I-10K	E	Rocker Pot Single Axis	123.85	115.59	107.34
882-J3L-IA10-SB	J3L-IA10-SB	C	Wide Angle Single Axis	144.40	131.16	126.43	882-J3R-IT-10K	J3R-IT-10K	E	Rocker Pot Single Axis	150.78	136.57	131.84
							882-J3RH-S-1	J3RH-S-1	F	Rocker Pot Hall-Effect	139.18	125.31	118.32

