

# BOURNS Precision Potentiometers and Dials

## BOURNS 6639 SERIES/CONDUCTIVE PLASTIC/PRECISION

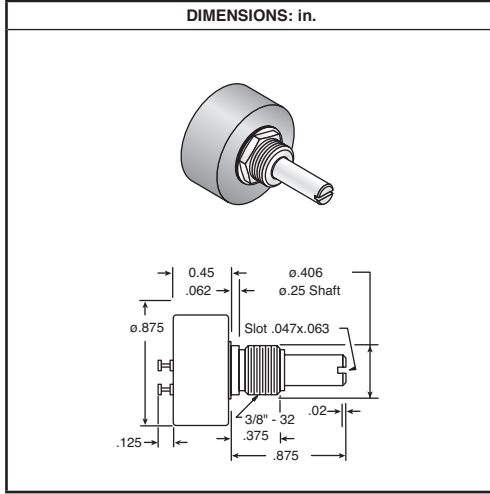
**Features:**

- Essentially infinite resolution
- Excellent rotational life
- High quality, rugged construction
- General purpose applications

**Specifications:**

- Resistance tolerance: ±15%
- Power rating: 1.0W
- Mechanical angle: continuous

\*: Non-standard features available



For quantities greater than listed, call for quote.

MOUSER STOCK NO.		Value (µF)	Price Each				
Mfr.	Mfr. Part No.		1	10	25	50	100
	652—6639S-1-102	1K	11.46	11.14	10.84	9.29	8.48
	652—6639S-1-202	2K	13.81	12.87	12.50	12.19	11.25
	652—6639S-1-502	5K	11.46	11.34	10.84	9.29	8.48
	652—6639S-1-103	10K	11.46	11.34	10.84	9.29	8.48
	652—6639S-1-203	20K	13.81	12.87	12.50	12.19	11.25

## BOURNS 6539 SERIES/CONDUCTIVE PLASTIC/PRECISION

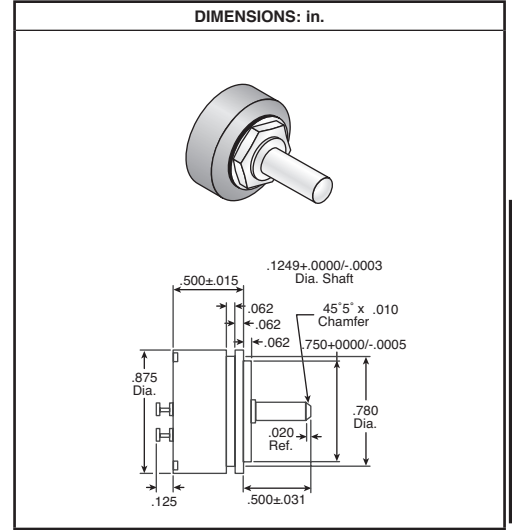
**Features:**

- Essentially infinite resolution
- Excellent rotational life
- High quality, rugged construction
- Servo mount
- General purpose applications

**Specifications:**

- Resistance tolerance: ±15%
- Power rating: 1.0W
- Mechanical angle: continuous

\*: Non-standard features available



For quantities greater than listed, call for quote.

MOUSER STOCK NO.		Value (µF)	Price Each					
Mfr.	Mfr. Part No.		1	2	5	10	25	50
	652—6539S-1-102	1k	35.81	35.00	34.35	33.38	29.78	27.62
	652—6539S-1-502	5k	35.81	35.00	34.35	33.38	29.78	27.62
	652—6539S-1-103	10k	35.81	35.00	34.35	33.38	29.78	27.62

## BOURNS 3610 SERIES 10 TURN PRECISION POTENTIOMETER

**Specifications:**

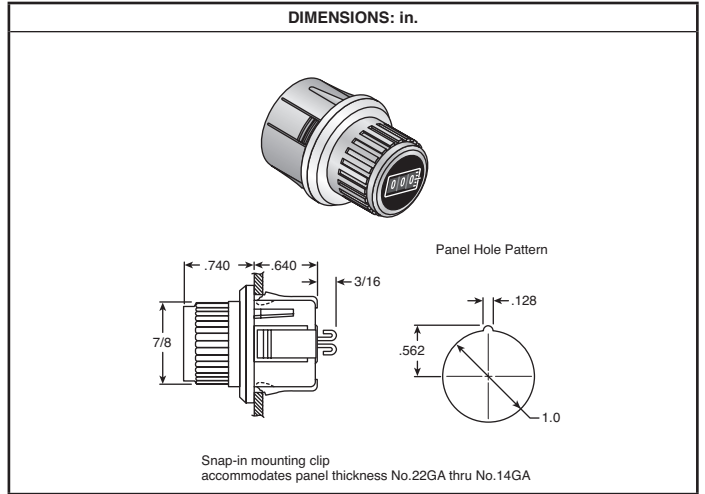
- Tolerance: ±5%
- Power rating: 1.5 Watts
- Rotational life: 50,000 revolutions

**Features:**

- Snap-in mounting, easy one hole
- Space saving: extends only 5/8" behind most panels
- Digital dial provides excellent reliability

For quantities greater than listed, call for quote.

MOUSER STOCK NO.		Value (µF)	Resolution (%)	Price Each				
Mfr.	Mfr. Part No.			1	5	10	25	50
	652—3610S-1-103	10K	0.022	105.64	102.34	99.04	95.74	92.44



## BOURNS TURNS-COUNTING DIALS

**Applications:**

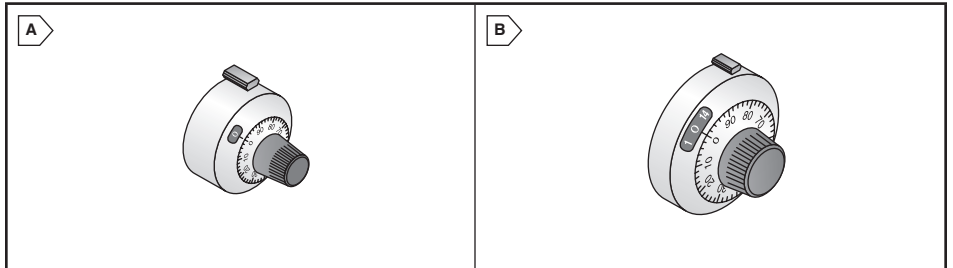
- H-46:**
- Power supplies
  - Sensors
  - Medical
  - Automation
  - Test equipment

**H-550:**

- Automation equipment
- Test instrument
- Industrial machinery
- Medical instrumentation excluding critical life support applications
- Test Equipment

**Specifications:**

- Mount directly to potentiometer shaft
- No backlash
- Excellent readability
- Locking brake



For quantities greater than listed, call for quote.

MOUSER STOCK NO.		Fig.	No. of Turns	Body Dia.: in.	Body Finish	Fits shaft Dia.: in.	Price Each					
Mfr.	Mfr. Part No.						1	5	10	25	50	100
	652—H-22-6A	A	0 to 15	0.874	Chrome	0.25	8.54	8.46	8.36	8.12	7.69	7.26
	652—H-22-6A-B	A	0 to 15	0.874	Black	0.25	11.54	10.54	9.74	8.87	7.84	7.43
	652—H-23-6A	A	0 to 15	0.874	Polished Chrome	0.25	11.54	10.54	9.74	8.87	7.84	7.43
	652—H-22-3A	A	0 to 15	0.874	Satin Chrome	0.12	11.54	10.54	9.74	8.87	7.84	7.43
	652—H-46-6A	B	0 to 20	1.811	Chrome	0.25	16.90	16.66	16.26	16.06	15.21	14.37