

WFH SERIES ALUMINUM HOUSED WIREWOUND RESISTORS - 160 TO 330 WATT

Using Ohmite's flat-core winding technology, WFH wirewound resistors are housed in flat aluminum extrusions that support attachment of a heat sink. Allowing close mounting of heat-sensitive components to save pc-board space, the devices offer superior thermal-transfer characteristics compared with standard aluminum-housed wirewounds.



RoHS Compliant

For quantities greater than listed, call for quote.

MOUSER STOCK NO.	Ohmite Part No.	Value (Ω)	Tol.	Price Each			
				1	5	10	25
160 Watt							
588-WFH160LR47KE	WFH160LR47KE	0.47	10%	39.55	36.98	34.10	31.65
588-WFH160L10RKE	WFH160L10RKE	10	10%	39.55	36.98	34.10	31.65
588-WFH160L27RJE	WFH160L27RJE	27	5%	37.70	35.88	34.00	30.14
588-WFH160L50RJE	WFH160L50RJE	50	5%	37.70	35.88	34.00	30.14
588-WFH160L100JE	WFH160L100JE	100	5%	37.70	35.88	34.00	30.14
588-WFH160L250JE	WFH160L250JE	250	5%	37.70	35.88	34.00	30.14
588-WFH160L5K0JE	WFH160L5K0JE	5K	5%	39.55	36.98	34.10	31.65
588-WFH160L10KJE	WFH160L10KJE	10K	5%	39.55	36.98	34.10	31.65
230 Watt							
588-WFH230L1R0KE	WFH230L1R0KE	1	10%	46.45	40.69	38.94	37.15
588-WFH230L5R0KE	WFH230L5R0KE	5	10%	46.45	40.69	38.94	37.15
588-WFH230L10RKE	WFH230L10RKE	10	10%	46.45	40.69	38.94	37.15
588-WFH230L50RJE	WFH230L50RJE	50	5%	44.68	44.46	41.12	38.93
588-WFH230L100JE	WFH230L100JE	100	5%	44.68	44.46	41.12	38.93
588-WFH230L150JE	WFH230L150JE	150	5%	44.68	44.46	41.12	38.93
588-WFH230L1K0JE	WFH230L1K0JE	1K	5%	46.45	40.69	38.94	37.15
330 Watt							
588-WFH330L1R0KE	WFH330L1R0KE	1	10%	60.95	57.12	53.16	48.77
588-WFH330L10RKE	WFH330L10RKE	10	10%	60.95	57.12	53.16	48.77
588-WFH330L100JE	WFH330L100JE	100	5%	58.23	52.41	50.31	46.56
588-WFH330L150JE	WFH330L150JE	150	5%	58.23	52.41	50.31	46.56
588-WFH330L250JE	WFH330L250JE	250	5%	58.23	52.41	50.31	46.56

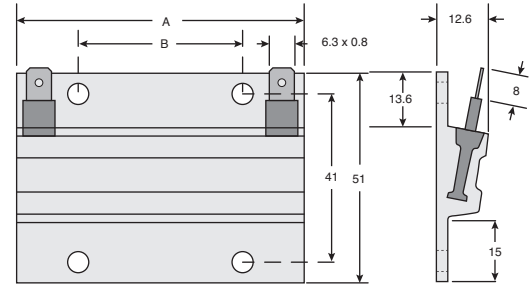
Features:

- Solder, Cable and "Fast-On" Termination
- More resistors in one profile possible

Specifications:

- Power Rating: 12-300W
- Temperature Coefficient: normal 50ppm-150ppm
- Working Voltage: 1200VAC
- Insulation: Silicone Rubber and Mica

Type	DIMENSIONS: mm	
	A	B
WFH160	140	80
WFH230	210	2x80
WFH330	280	2x100



DIMENSIONS: mm

Power Resistors

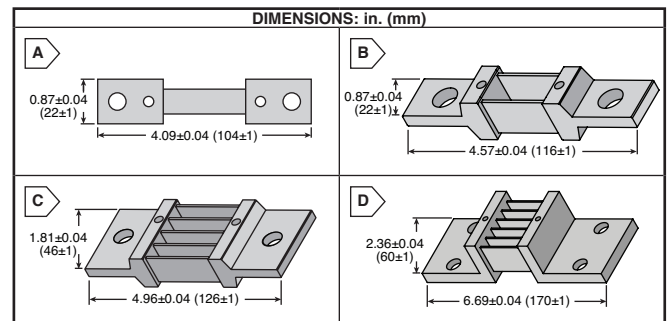
Ohmite

S SERIES HIGH CURRENT SHUNTS

- 100-1000A ratings
- 0.5% accuracy class
- T, L and DIN type brass terminals
- Manganin (6J13) plate resistive element construction



MOUSER STOCK NO.	Ohmite Part No.	Fig.	Terminal Type	Rated Current	Voltage (mV)	Price Each			
						1	10	25	50
588-SHD1-100C075DE	SHD1-100C075DE	A	DIN	100	75	15.12	13.61	12.85	12.10
588-SHT1-200C075DE	SHT1-200C075DE	B	T	200	75	17.64	15.88	14.99	14.11
588-SHT1-500C075DE	SHT1-500C075DE	C	T	500	75	27.09	24.38	23.04	21.68
588-SHL1-1K0C075DE	SHL1-1K0C075DE	D	L	1000	75	110.57	99.51	93.98	88.45



SH SERIES PRECISION METAL-CLAD SHUNTS

Precision metal clad resistors designed in four-terminal technique, are distinguished by high load capacity as well as excellent accuracy. Isolated voltage and current connections making them suitable for very precise current measurements. The simple four port Kelvin design ensures easy installation on large current bus bars. Units have a low inductance, heavy copper terminals. The main application is battery manufacturing test jig.

Specifications:

- Temp. Range: -55°C ~ +110°C
- Insulation Resist.: 100MΩ min.
- Dielectric Withstanding Voltage: AC 500V for 1 minute
- Rated Voltage: 100mV
- Tolerance: ± 0.5%
- Temp. Coefficient: Max. 30ppm/°C [20°C and 60°C]

Applications:

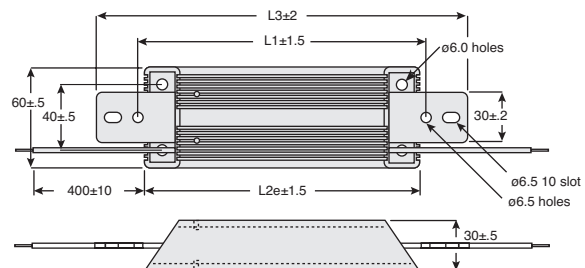
- Battery testing
- Current detection in precise power sources
- Constant current sources
- Constant electronic loads
- Industrial power conversion circuits
- HEVs
- Fuel cells

MOUSER STOCK NO.	Ohmite Part No.	Rated Current (A)	Resistance (mΩ)	Price Each		
				1	5	10
588-SH2-100R0010DE	SH2-100R0010DE	100	1.0000	205.20	199.50	171.00
588-SH2-150R0006DE	SH2-150R0006DE	150	0.6666	205.20	199.50	171.00
588-SH2-200R0005DE	SH2-200R0005DE	200	0.5000	205.20	199.50	171.00
588-SH3-250R0004DE	SH3-250R0004DE	250	0.4000	248.40	241.50	207.00
588-SH3-300R0003DE	SH3-300R0003DE	300	0.3333	248.40	241.50	207.00

Type	DIMENSIONS: mm		
	L1	L2	L3
SH2	146	165	225
SH3	196	215	275



RoHS Compliant



DIMENSIONS: mm

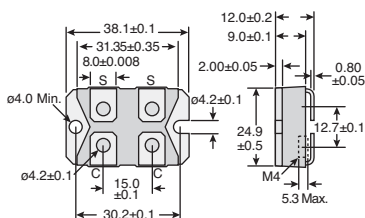
TGHG SERIES PRECISION METAL-CLAD SHUNTS

The TGHG Series uses state of the art technology to provide highly reliable, non-inductive performance. This resistor is ideal for many current monitoring and controls applications.

Features:

- Resistance values beginning at 0.5mΩ
- Non Inductive
- Four terminal Kelvin connection
- SOT 227 Package
- Four terminals to isolate measurement path from current flow path
- Accuracy in a high power package

DIMENSIONS: mm



Type	DIMENSIONS: mm		
	L1	L2	L3
SH2	146	165	225
SH3	196	215	275

MOUSER STOCK NO.	Ohmite Part No.	Value (Ω)	Price Each		
			1	10	25
588-TGHGCR0005FE	TGHGCR0005FE	0.00050	27.21	24.74	22.90
588-TGHGCR0010FE	TGHGCR0010FE	0.00100	27.21	24.74	22.90
588-TGHGCR0020FE	TGHGCR0020FE	0.00200	27.21	24.74	22.90
588-TGHGCR0050FE	TGHGCR0050FE	0.00500	27.21	24.74	22.90
588-TGHGCR0100FE	TGHGCR0100FE	0.01000	27.21	24.74	22.90
588-TGHGCR0150FE	TGHGCR0150FE	0.01500	27.21	24.74	22.90
588-TGHGCR0200FE	TGHGCR0200FE	0.02000	27.21	24.74	22.90
588-TGHGCR0250FE	TGHGCR0250FE	0.02500	36.90	33.55	29.00
588-TGHGCR0500FE	TGHGCR0500FE	0.05000	36.90	33.55	29.00
588-TGHGCR0750FE	TGHGCR0750FE	0.07500	36.90	33.55	29.00
588-TGHGCR1000FE	TGHGCR1000FE	0.10000	36.90	33.55	29.00