

Current Sense Resistors

14A SERIES AXIAL CURRENT SENSE RESISTORS



Features:

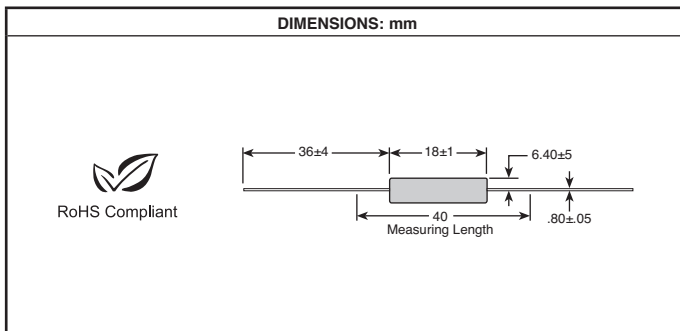
- Ideal for current sensing applications
- 1% Tolerance standard
- Fixed resistance measuring point
- Low inductance

Specifications:

- Terminals: Solder-plated copper terminals or copper clad steel depending on ohmic value
- TCR: Varies from +150°C to +1100ppm/°C based on resistance value
- Temperature range: -55°C to 275°C

For quantities greater than listed, call for quote.

MOUSER STOCK NO.	Ohmite Part No.	Value (Ω)	Price Each				
			1	50	100	500	1000
588-14AFR004E	14AFR004E	0.004	1.98	1.13	1.00	.90	.85
588-14AFR005E	14AFR005E	0.005	1.98	1.13	1.00	.90	.85
588-14AFR008E	14AFR008E	0.008	1.98	1.13	1.00	.90	.85
588-14AFR010E	14AFR010E	0.010	1.98	1.13	1.00	.90	.85
588-14AFR015E	14AFR015E	0.015	1.98	1.13	1.00	.90	.85
588-14AFR022E	14AFR022E	0.022	1.98	1.13	1.00	.90	.85
588-14AFR033E	14AFR033E	0.033	1.98	1.13	1.00	.90	.85
588-14AFR047E	14AFR047E	0.047	1.98	1.13	1.00	.90	.85
588-14AFR051E	14AFR051E	0.051	1.98	1.13	1.00	.90	.85



Series	Wattage	Ohms	Dimensions: mm			
			Length	Dia.	M	Lead
14A	4	0.004-0.051	0.709/18	0.252/6.40	1.575/40	0.031/0.80

Current Sense

FOUR TERMINAL CURRENT SENSE RESISTORS

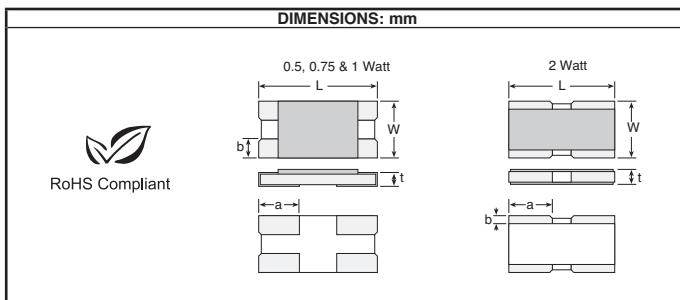
Specifications:

- Resistance Range: 0.001Ω - 0.050Ω
- Operating Temperature Range: -40 to +125°C
- Rated Ambient Temperature: +70°C
- Resistance Tolerance: 1% standard, 0.5% available
- Temperature Coefficient: 50ppm and 100ppm standard
- Terminals: 100% matte tin

Features:

- Designed for automatic insertion
- Industry standard sizes
- High-precision kelvin connect capability in a small package
- Working temp. range -55°C ~ 200°C

Series	Case Size	Voltage Rating	DIMENSIONS: mm				
			L	W	a	b	T (max.)
LVK12	(1206)	1.6±0.2	3.2±0.2	0.5±0.15	1±0.2	0.55±0.2	0.5±0.15
LVK20	(2010)	2.5±0.2	5±0.2	0.5±0.15	1.7±0.2	0.9±0.2	0.5±0.15
LVK24	(2412)	3.2±0.2	6.4±0.2	0.5±0.15	2.1±0.2	1.2±0.2	0.5±0.15
LVK25	(1224)	3.2±0.2	6.4±0.2	0.5±0.2	2.7±0.2	0.4±0.2	0.5±0.2



For quantities greater than listed, call for quote.

MOUSER STOCK NO.	Ohmite Part No.	Value (Ω)	Price Each					
			1	25	50	100	500	1000
588-LVK12R010FER	LVK12R010FER	0.010	.45	.43	.41	.36	.29	.26
588-LVK12R012FER	LVK12R012FER	0.012	.45	.43	.41	.36	.29	.26
588-LVK12R020FER	LVK12R020FER	0.020	.45	.43	.41	.36	.29	.26
588-LVK12R024FER	LVK12R024FER	0.024	.45	.43	.41	.36	.29	.26
588-LVK12R030FER	LVK12R030FER	0.030	.45	.43	.41	.36	.29	.26
588-LVK12R047FER	LVK12R047FER	0.047	.45	.43	.41	.36	.29	.26
588-LVK12R050FER	LVK12R050FER	0.050	.45	.43	.41	.36	.29	.26

For quantities greater than listed, call for quote.

MOUSER STOCK NO.	Ohmite Part No.	Value (Ω)	Price Each					
			1	25	50	100	500	1000
588-LVK20R010FER	LVK20R010FER	0.010	.80	.73	.65	.58	.46	.45
588-LVK20R015FER	LVK20R015FER	0.015	.80	.73	.65	.58	.46	.45
588-LVK20R020FER	LVK20R020FER	0.020	.80	.73	.65	.58	.46	.45
588-LVK20R027FER	LVK20R027FER	0.027	.80	.73	.65	.58	.46	.45
588-LVK20R030FER	LVK20R030FER	0.030	.80	.73	.65	.58	.46	.45
588-LVK20R039FER	LVK20R039FER	0.039	.80	.73	.65	.58	.46	.45
588-LVK20R050FER	LVK20R050FER	0.050	.80	.73	.65	.58	.46	.45

For quantities greater than listed, call for quote.

MOUSER STOCK NO.	Ohmite Part No.	Value (Ω)	Price Each					
			1	25	50	100	500	1000
588-LVK24R010FER	LVK24R010FER	0.010	1.03	.98	.92	.82	.66	.57
588-LVK24R012FER	LVK24R012FER	0.012	1.03	.98	.92	.82	.66	.57
588-LVK24R015FER	LVK24R015FER	0.015	1.03	.98	.92	.82	.66	.57
588-LVK24R020FER	LVK24R020FER	0.020	1.03	.98	.92	.82	.66	.57
588-LVK24R030FER	LVK24R030FER	0.030	1.03	.98	.92	.82	.66	.57
588-LVK24R039FER	LVK24R039FER	0.039	1.03	.98	.92	.82	.66	.57
588-LVK24R047FER	LVK24R047FER	0.047	1.03	.98	.92	.82	.66	.57
588-LVK24R050FER	LVK24R050FER	0.050	1.03	.98	.92	.82	.66	.57

For quantities greater than listed, call for quote.

MOUSER STOCK NO.	Ohmite Part No.	Value (Ω)	Price Each					
			1	25	50	100	500	1000
588-LVK25R001FER	LVK25R001FER	0.001	1.48	1.40	1.32	1.18	.94	.83
588-LVK25R002FER	LVK25R002FER	0.002	1.48	1.40	1.32	1.18	.94	.83
588-LVK25R003FER	LVK25R003FER	0.003	1.48	1.40	1.32	1.18	.94	.83
588-LVK25R005FER	LVK25R005FER	0.005	1.48	1.40	1.32	1.18	.94	.83
588-LVK25R010FER	LVK25R010FER	0.010	1.48	1.40	1.32	1.18	.94	.83

CADDOCK SR SERIES: PRECISION CURRENT SENSE RESISTORS - 1 WATT AND 2 WATT

Features:

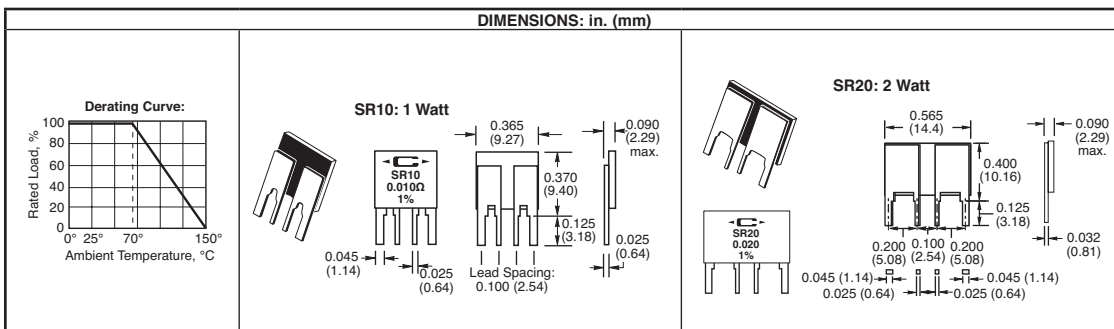
- Non-Inductive Design.
- Kelvin (4 wire) Leads
- Excellent Long Term Stability
- Compact Footprint
- Values as low as 0.008Ω ±1%

Specifications:

- Power Rating: SR10: 1W at +70°C, SR20: 2 Watts at +70°C (See Dearing Curve)
- Temp. Coeff. -15°C to +105°C, ref. +25°C
- 0.10Ω to 1.00Ω: -50 to +100ppm/°C
- 0.025Ω to 0.075Ω: 0 to +150ppm/°C
- 0.008Ω to 0.020Ω: 0 to +200ppm/°C



RoHS Compliant



For quantities greater than listed, call for quote.

MOUSER STOCK NO.	Caddock Part No.	Ohm Range (Ω)	Tol. ±	Price Each			
				1	10	25	50
684-SR10-0.008	SR10-0.008-1%	0.008	1%	4.53	3.63	3.35	3.19
684-SR10-0.01	SR10-0.010-1%	0.010	1%	4.53	3.63	3.35	3.19
684-SR10-0.02	SR10-0.020-1%	0.020	1%	3.92	3.14	2.90	2.74
684-SR10-0.05	SR10-0.050-1%	0.050	1%	3.92	3.14	2.90	2.74
684-SR10-0.1	SR10-0.10-1%	0.10	1%	3.92	3.14	2.90	2.74
684-SR10-0.2	SR10-0.20-1%	0.20	1%	3.92	3.14	2.90	2.74
684-SR10-0.5	SR10-0.50-1%	0.50	1%	3.92	3.14	2.90	2.74
684-SR10-1.0	SR10-1.00-1%	1.00	1%	3.92	3.14	2.90	2.74

For quantities greater than listed, call for quote.

MOUSER STOCK NO.	Caddock Part No.	Ohm Range (Ω)	Tol. ±	Price Each			
				1	10	25	50
684-SR20-0.008	SR20-0.008-1%	0.008	1%	6.85	5.46	5.05	4.79
684-SR20-0.01	SR20-0.010-1%	0.010	1%	6.85	5.46	5.05	4.79
684-SR20-0.02	SR20-0.020-1%	0.020	1%	5.94	4.74	4.39	4.16
684-SR20-0.05	SR20-0.050-1%	0.050	1%	5.94	4.74	4.39	4.16
684-SR20-0.1	SR20-0.10-1%	0.10	1%	5.94	4.74	4.39	4.16
684-SR20-0.2	SR20-0.20-1%	0.20	1%	5.94	4.74	4.39	4.16
684-SR20-0.5	SR20-0.50-1%	0.50	1%	5.94	4.74	4.39	4.16
684-SR20-1.0	SR20-1.00-1%	1.00	1%	5.94	5.43	5.16	4.95