

BOURNS High Power Current Sense Chip Resistors



PWR263 SERIES POWER RESISTORS

BOURNS® PWR263 Series is a TO263 DPAK style power resistor. Manufactured using thick film on alumina ceramic technology, it is used in current measurement, snubber, bleeder and discharge circuits.

Specifications:

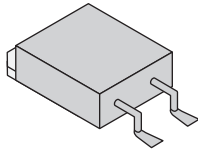
- Power rating @ 25°C case temp.: 20W
- TCR 0.5Ω/°C-130.0KΩ: ±100 PPM/°C
- Inductance: 0.1μH max.
- Operating voltage: √P·R with a max. of 250V
- Insulation resistance: 10GΩ
- Operating temp.: -55°C to 155°C

Applications:

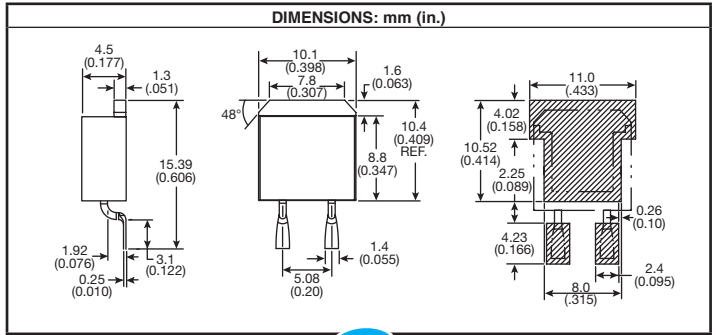
- Power supplies
- Motor drives
- Test and measurement
- Rectifiers

Features:

- DPAK Housing
- Low inductance
- Resistor electrically isolated from backplate
- High power rating
- Compatible with lead free solder reflow temps
- RoHS Compliant



RoHS Compliant



For quantities greater than listed, call for quote.

For quantities greater than listed, call for quote.

MOUSER STOCK NO.		Power	Tol.	Value (ohms)	Price Each			
Mfr.	Mfr. Part No.				1	50	100	500
652	PWR263S-20-R500F	20	1%	0.5	5.61	4.38	3.57	3.36
652	PWR263S-20-R500J	20	5%	0.5	4.62	3.61	2.94	2.77
652	PWR263S-20-R750F	20	1%	0.75	5.61	4.38	3.57	3.36
652	PWR263S-20-R750J	20	5%	0.75	4.62	3.61	2.94	2.77
652	PWR263S-20-1R00F	20	1%	1.0	5.61	4.38	3.57	3.36
652	PWR263S-20-1R00J	20	5%	1.0	4.62	3.61	2.94	2.77
652	PWR263S-20-1R50F	20	1%	1.5	5.61	4.38	3.60	3.39
652	PWR263S-20-1R50J	20	5%	1.5	4.62	3.61	2.94	2.77
652	PWR263S-20-2R00F	20	1%	2.0	5.61	4.38	3.64	3.39
652	PWR263S-20-2R00J	20	5%	2.0	4.62	3.61	2.94	2.77
652	PWR263S-20-2R50F	20	1%	2.5	5.61	4.38	3.57	3.36
652	PWR263S-20-2R50J	20	5%	2.5	3.85	3.01	2.45	2.31
652	PWR263S-20-3R00F	20	1%	3.0	5.61	4.38	3.64	3.39
652	PWR263S-20-3R00J	20	5%	3.0	4.62	3.61	2.94	2.77
652	PWR263S-20-3R30F	20	1%	3.3	5.61	4.38	3.57	3.36
652	PWR263S-20-3R30J	20	5%	3.3	4.62	3.61	2.94	2.77
652	PWR263S-20-4R70F	20	1%	4.7	5.61	4.38	3.57	3.36
652	PWR263S-20-4R70J	20	5%	4.7	4.62	3.61	2.94	2.77
652	PWR263S-20-5R60F	20	1%	5.6	4.68	3.65	2.97	2.80
652	PWR263S-20-5R60J	20	5%	5.6	3.85	3.01	2.45	2.31
652	PWR263S-20-7R50F	20	1%	7.5	4.68	3.65	2.97	2.80
652	PWR263S-20-7R50J	20	5%	7.5	3.85	3.01	2.45	2.31
652	PWR263S-20-10R0F	20	1%	10	4.68	3.65	2.97	2.80
652	PWR263S-20-10R0J	20	5%	10	3.85	3.01	2.45	2.31
652	PWR263S-20-12R0F	20	1%	12	4.68	3.65	2.97	2.80
652	PWR263S-20-12R0J	20	5%	12	3.85	3.01	2.45	2.31
652	PWR263S-20-15R0F	20	1%	15	4.68	3.65	2.97	2.80
652	PWR263S-20-15R0J	20	5%	15	3.85	3.01	2.45	2.31
652	PWR263S-20-20R0F	20	1%	20	4.68	3.65	2.97	2.80
652	PWR263S-20-20R0J	20	5%	20	3.85	3.01	2.45	2.31
652	PWR263S-20-27R0F	20	1%	27	4.68	3.65	2.97	2.80
652	PWR263S-20-27R0J	20	5%	27	3.85	3.01	2.45	2.31
652	PWR263S-20-30R0F	20	1%	30	4.68	3.65	2.97	2.80
652	PWR263S-20-30R0J	20	5%	30	3.85	3.01	2.45	2.31
652	PWR263S-20-33R0F	20	1%	33	4.68	3.65	2.97	2.80
652	PWR263S-20-33R0J	20	5%	33	3.85	3.01	2.45	2.31
652	PWR263S-20-47R0F	20	1%	47	4.68	3.65	2.97	2.80
652	PWR263S-20-47R0J	20	5%	47	3.85	3.01	2.45	2.31
652	PWR263S-20-56R0F	20	1%	56	4.68	3.65	2.97	2.80
652	PWR263S-20-56R0J	20	5%	56	3.85	3.01	2.45	2.31
652	PWR263S-20-75R0F	20	1%	75	4.68	3.65	2.97	2.80
652	PWR263S-20-75R0J	20	5%	75	3.85	3.01	2.45	2.31
652	PWR263S-20-1000F	20	1%	100	4.68	3.65	2.97	2.80
652	PWR263S-20-1000J	20	5%	100	3.85	3.01	2.45	2.31
652	PWR263S-20-3300F	20	1%	330	4.68	3.65	2.97	2.80
652	PWR263S-20-3300J	20	5%	330	3.85	3.01	2.45	2.31
652	PWR263S-20-4700F	20	1%	470	4.68	3.65	2.97	2.80
652	PWR263S-20-4700J	20	5%	470	3.85	3.01	2.45	2.31
652	PWR263S-20-1001F	20	1%	1K	4.68	3.65	2.97	2.80
652	PWR263S-20-1001J	20	5%	1K	3.85	3.01	2.45	2.31

MOUSER STOCK NO.		Power	Tol.	Value (ohms)	Price Each			
Mfr.	Mfr. Part No.				1	50	100	500
652	PWR263S-20-3301F	20	1%	3.3K	4.68	3.65	2.97	2.80
652	PWR263S-20-3301J	20	5%	3.3K	3.85	3.01	2.45	2.31
652	PWR263S-20-1002F	20	1%	10K	4.68	3.65	2.97	2.80
652	PWR263S-20-1002J	20	5%	10K	3.85	3.01	2.45	2.31
652	PWR263S-20-3002F	20	1%	30K	4.68	3.65	2.97	2.80
652	PWR263S-20-3002J	20	5%	30K	3.85	3.01	2.45	2.31
652	PWR263S-20-1003F	20	1%	100K	4.68	3.65	2.97	2.80
652	PWR263S-20-1003J	20	5%	100K	3.85	3.01	2.45	2.31
652	PWR263S-20-1303F	20	1%	130K	4.68	3.65	2.97	2.80
652	PWR263S-20-1303J	20	5%	130K	3.85	3.01	2.45	2.31
652	PWR263S35R270F	35	1%	0.27	3.35	2.99	2.75	2.33
652	PWR263S35R500F	35	1%	0.5	3.35	2.99	2.75	2.33
652	PWR263S351R50F	35	1%	1.5	3.35	2.99	2.75	2.33
652	PWR263S352R50F	35	1%	2.5	3.35	2.99	2.75	2.33
652	PWR263S353R30F	35	1%	3.3	3.35	2.99	2.75	2.33
652	PWR263S354R70F	35	1%	4.7	3.35	2.99	2.75	2.33
652	PWR263S355R60F	35	1%	5.6	2.27	1.99	1.87	1.58
652	PWR263S357R50F	35	1%	7.5	2.27	1.99	1.87	1.58
652	PWR263S358R20F	35	1%	8.2	2.27	1.99	1.87	1.58
652	PWR263S351R00F	35	1%	1	3.35	2.99	2.75	2.33
652	PWR263S352R00F	35	1%	2	3.35	2.99	2.75	2.33
652	PWR263S353R00F	35	1%	3	3.35	2.99	2.75	2.33
652	PWR263S-35-4R00F	35	1%	4	3.35	2.99	2.75	2.33
652	PWR263S355R00F	35	1%	5	2.27	1.99	1.87	1.58
652	PWR263S3510R0F	35	1%	10	2.27	1.99	1.87	1.58
652	PWR263S3512R0F	35	1%	12	2.27	1.99	1.87	1.58
652	PWR263S3515R0F	35	1%	15	2.27	2.02	1.86	1.58
652	PWR263S3520R0F	35	1%	20	2.27	1.99	1.87	1.58
652	PWR263S3527R0F	35	1%	27	2.27	1.99	1.87	1.58
652	PWR263S3530R0F	35	1%	30	2.27	1.99	1.87	1.58
652	PWR263S3533R0F	35	1%	33	2.27	1.99	1.87	1.58
652	PWR263S-35-40R0F	35	1%	40	2.27	1.86	1.71	1.57
652	PWR263S3547R0F	35	1%	47	2.27	1.99	1.87	1.58
652	PWR263S3550R0F	35	1%	50	2.27	1.99	1.87	1.58
652	PWR263S3556R0F	35	1%	56	2.27	1.99	1.87	1.58
652	PWR263S3575R0F	35	1%	75	2.27	1.99	1.87	1.58
652	PWR263S351000F	35	1%	100	2.27	1.99	1.87	1.58
652	PWR263S-35-1200F	35	1%	120	2.27	1.87	1.71	1.58
652	PWR263S-35-2000F	35	1%	200	2.27	1.86	1.71	1.57
652	PWR263S-35-2500F	35	1%	250	2.28	1.86	1.71	1.58
652	PWR263S-35-3000F	35	1%	300	2.27	1.86	1.71	1.57
652	PWR263S353300F	35	1%	330	2.27	1.99	1.87	1.58
652	PWR263S354700F	35	1%	470	2.27	1.99	1.87	1.58
652	PWR263S35R750F	35	1%	0.75	3.35	2.99	2.75	2.33
652	PWR263S353301F	35	1%	3.3K	2.27	1.99	1.87	1.58
652	PWR263S351001F	35	1%	1K	2.27	1.99	1.87	1.58
652	PWR263S351002F	35	1%	10K	2.27	1.99	1.87	1.58
652	PWR263S351303F	35	1%	130K	2.27	1.99	1.87	1.58
652	PWR263S3540R0J	35	5%	40	2.16	1.99	1.77	1.50

PWR 2615 SERIES SMD WIREWOUND RESISTORS

Features:

- High power
- Low temperature coefficient
- Operating Temperature Range: -55°C to +275°C

Applications:

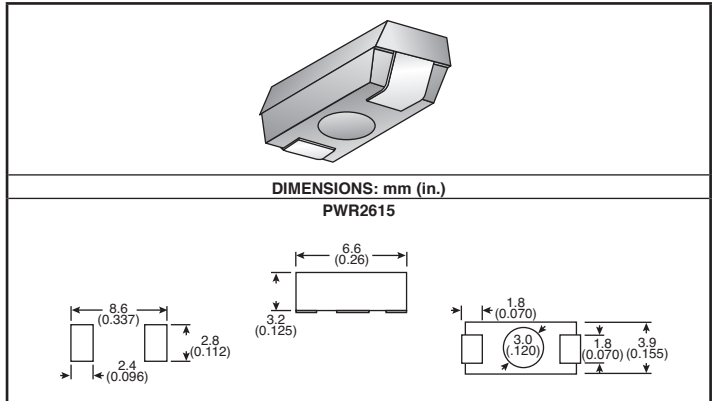
- Power supplies
- Motor drives
- Electricity metering



RoHS Compliant

For quantities greater than listed, call for quote.

MOUSER STOCK NO.		Ω Value	Tol. %	Power Watts	Price Each				
Mfr.	Mfr. Part No.				1	25	50	100	200
PWR2615 Series									
652	PWR2615WR010F	0.01	1%	1W	1.48	1.29	1.09	.99	.90
652	PWR2615WR100F	0.1	1%	1W	1.48	1.29	1.09	.99	.90
652	PWR2615W1R00F	1	1%	1W	1.36	1.19	1.01	.92	.83
652	PWR2615W10R0F	10	1%	1W	1.36	1.19	1.01	.92	.83
652	PWR2615W1000F	100	1%	1W	1.36	1.19	1.01	.92	.83
652	PWR2615W1001F	1K	1%	1W	1.36	1.19	1.01	.92	.83



Current Sense

Bourns