

ARCOL Power Resistors



ARCOL CURRENT SENSE CHIP RESISTORS - 8 WATT

Features:

- 8 Watt power rating
- Non-inductive design
- Low profile surface mount package
- Excellent pulse/surge performance

Specifications:

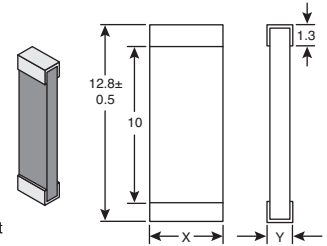
- Power Dissipation: 8 Watts (with 700 micron PCB thermal pad)
- Values: .0005, .001, .002, .005 Ohms
- Operating Temperature: -55°C to 175°C
- Tolerance: ± 1%
- Marking: 3 digits of resistance value and tolerance code F (1%)
- TCR: ± 50ppm/°C (Measured ± 30ppm/°C)
- Current: 90A (at 1MO), Max. Current: 126A (2.5 sec one time)
- Series Inductance: 5nH

For quantities greater than listed, call for quote.

MOUSER STOCK NO.	Arcol Part No.	Value (Ω)	Price Each			
			1	25	50	100
284-AP5025.0005F	AP5025 R0005 F	.0005	4.56	4.28	3.75	3.35
284-AP5025.001F	AP5025 R001 F	.001	4.56	4.28	3.75	3.44
284-AP5025.002F	AP5025 R002 F	.002	4.56	4.28	3.75	3.44

DIMENSIONS: mm

Part No.	X	Y
AP5025 R0005F	7.8	2.5
AP5025 R001F	4.5	1.5
AP5025 R002F	4.5	1.5



Arcol Power Resistors

ARCOL FPA SERIES - THICK FILM POWER RESISTORS

100 Watt

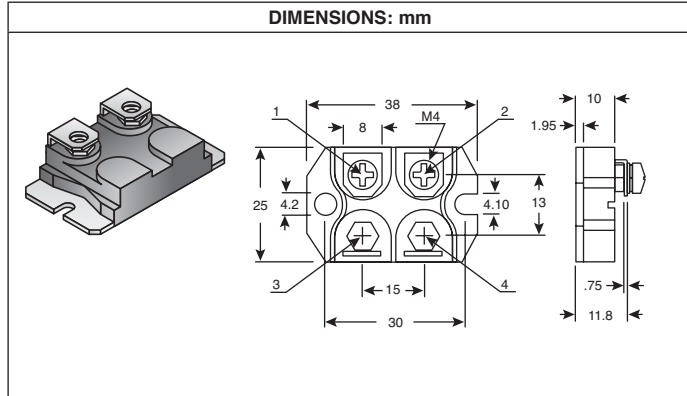
Features:

- ISOTOP/SOT227 semiconductor style package
- 100W dissipation in a small footprint
- Very low inductance
- Direct heatsink mounting - 0.85°C/W
- Due to a Non-Inductive design these elements are ideally suited for high frequency and pulse load applications

Specifications:

- TCR: 250ppm
- Power rating at 25°C: 100W
- Max working voltage: 1kV
- Working temperature range: -55°C to +155°C
- Non-Heatsink mounted rating: 2.5W

DIMENSIONS: mm



Value Table

2.0	6.8	22	100	470	3.3K
2.2	8.0	33	150	680	4.7K
3.3	10	47	220	1K	6.8K
4.0	15	50	300	1.5K	10K
4.7	16	68	330	2.2K	22K



For quantities greater than listed, call for quote.

MOUSER STOCK NO.	Price Each			
	1	10	25	50
284-FPA100-Value	33.36	31.69	30.02	28.91



250 Watt

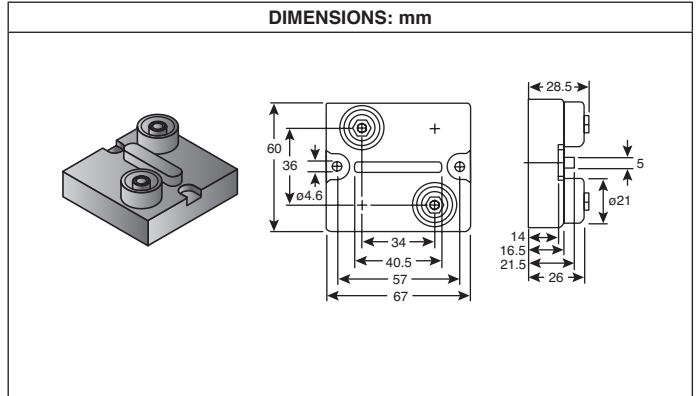
Features:

- High Power/Volume Ratio
- Direct heat sink mounting
- Due to a Non-Inductive design these elements are ideally suited for high frequency applications

Specifications:

- Power rating: 250W (heat sink at 100°C)
- Temperature coefficient: 100ppm/°C
- Max working voltage: 5000V
- Working temperature: -55°C to +155°C
- Dielectric strength: 7000V/12kV

DIMENSIONS: mm



Value Table

1.0	4.0	10.0	50.0	470.0
2.2	4.7	22.0	100.0	1K
3.3	5.0	47.0	330.0	10K



For quantities greater than listed, call for quote.

MOUSER STOCK NO.	Price Each			
	1	10	25	50
284-FPA250-Value	87.02	82.67	78.53	74.61



ARCOL ACS SERIES - AXIAL SILICON COATED RESISTORS - 5 WATT (3 WATT PACKAGE)

Features:

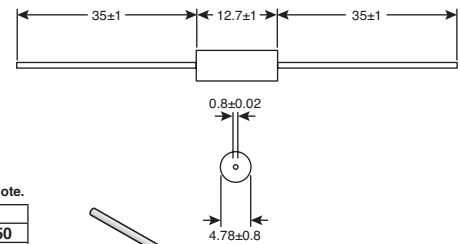
- 5 watt resistor is the size of a generic 3 watt resistor
- Inductive type resistors
- Tape and Reel: 1000 per Reel

Specifications:

- Resistance tolerance: < 1Ω (10%)
1Ω and > (5%)
- Temperature range: -55°C to +350°C
- Temperature coefficient: < 1Ω (90ppm/°C)
1Ω to 10Ω (50ppm/°C)
> 10Ω (20ppm/°C)
- Insulation resistance: 1000MΩ Min.
- Dielectric withstand voltage: 500VAC



DIMENSIONS: mm



Value Table

0.1	0.6	3.9	47	470	4.7K
0.12	0.68	4.7	56	560	5.6K
0.15	0.7	5.6	68	680	6.8K
0.2	0.8	6.8	82	820	8.2K
0.22	0.82	8.2	100	1K	10K
0.3	0.9	10	120	1.2K	12K
0.33	1.0	12	150	1.5K	15K
0.39	1.2	15	180	1.8K	18K
0.4	1.5	18	220	2.2K	22K
0.47	2.2	22	270	2.7K	
0.5	2.7	27	330	3.3K	
0.56	3.3	33	390	3.9K	

For quantities greater than listed, call for quote.

MOUSER STOCK NO.	Ranges of Values	Price Each			
		1	25	100	250
284-ACS5SW-Value	0.1 - 0.9	1.50	1.35	1.22	1.09
284-ACS5SW-Value	1 - 8.2	1.00	.90	.81	.73
284-ACS5SW-Value	10 - 82	.95	.86	.77	.69
284-ACS5SW-Value	100 - 820	.95	.86	.77	.69
284-ACS5SW-Value	1K - 2.7K	1.00	.90	.81	.73
284-ACS5SW-Value	3.3K - 6.8K	1.10	.99	.89	.81
284-ACS5SW-Value	8.2K - 12K	1.50	1.35	1.22	1.09
284-ACS5SW-Value	15K - 22K	1.60	1.44	1.30	1.17