

# WELWYN SMD Resistors

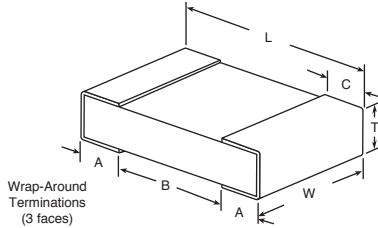


## WELWYN PWC SERIES PULSE RESISTORS

- Features:**
- Excellent pulse withstand performance
  - Improved working voltage
  - Improved power rating



RoHS Compliant



### 2010 Case Size, 0.75 Watt

For quantities greater than listed, call for quote.

MOUSER STOCK NO.	Welwyn Part No.	Value (Ω)	Tol. %	Price Each			Reel Qty.	Price Per Piece
				1	100	500		
756-PWC2010-10RJI	PWC2010-10RJI	10	5	.42	.331	.319	3000	.317
756-PWC2010-15RJJI	PWC2010-15RJJI	15	5	.42	.331	.319	3000	.317
756-PWC2010-22RJJI	PWC2010-22RJJI	22	5	.42	.331	.319	3000	.317
756-PWC2010-33RJJI	PWC2010-33RJJI	33	5	.42	.331	.319	3000	.317
756-PWC2010-47RJJI	PWC2010-47RJJI	47	5	.42	.331	.319	3000	.317
756-PWC2010-68RJJI	PWC2010-68RJJI	68	5	.42	.331	.319	3000	.317
756-PWC2010-100RJJI	PWC2010-100RJJI	100	5	.42	.331	.319	3000	.317
756-PWC2010-150RJJI	PWC2010-150RJJI	150	5	.42	.331	.319	3000	.317
756-PWC2010-220RJJI	PWC2010-220RJJI	220	5	.42	.331	.319	3000	.317
756-PWC2010-470RJJI	PWC2010-470RJJI	470	5	.42	.331	.319	3000	.317
756-PWC2010-680RJJI	PWC2010-680RJJI	680	5	.42	.331	.319	3000	.317
756-PWC2010-1K0JJI	PWC2010-1K0JJI	1K	5	.42	.331	.319	3000	.317
756-PWC2010-1K5JJI	PWC2010-1K5JJI	1.5K	5	.42	.331	.319	3000	.317
756-PWC2010-4K7JJI	PWC2010-4K7JJI	4.7K	5	.42	.331	.319	3000	.317
756-PWC2010-6K8JJI	PWC2010-6K8JJI	6.8K	5	.42	.331	.319	3000	.317
756-PWC2010-10KJJI	PWC2010-10KJJI	10K	5	.42	.331	.319	3000	.317
756-PWC2010-22KJJI	PWC2010-22KJJI	22K	5	.42	.331	.319	3000	.317
756-PWC2010-33KJJI	PWC2010-33KJJI	33K	5	.42	.331	.319	3000	.317
756-PWC2010-47KJJI	PWC2010-47KJJI	47K	5	.42	.331	.319	3000	.317
756-PWC2010-100KJJI	PWC2010-100KJJI	100K	5	.42	.331	.319	3000	.317

Dimensions: mm							Weight (g)
Case Size	L	W	T Max.	A	B Min.	C	
2010	5.1±0.3	2.5±0.2	0.8	0.6±0.3	3.0	0.6±0.25	0.036
2512	6.5±0.3	3.2±0.2	0.8	0.6±0.3	4.4	0.6±0.25	0.055

### 2512 Case Size, 1.5 Watt

For quantities greater than listed, call for quote.

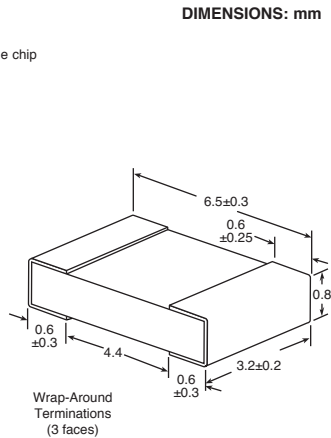
MOUSER STOCK NO.	Welwyn Part No.	Value (Ω)	Tol. %	Price Each			Reel Qty.	Price Per Piece
				1	100	450		
756-PWC2512-10RJI	PWC2512-10RJI	10	5	.48	.372	.36	1800	.336
756-PWC2512-15RJJI	PWC2512-15RJJI	15	5	.48	.372	.36	1800	.336
756-PWC2512-22RJJI	PWC2512-22RJJI	22	5	.48	.372	.36	1800	.336
756-PWC2512-33RJJI	PWC2512-33RJJI	33	5	.48	.372	.36	1800	.336
756-PWC2512-47RJJI	PWC2512-47RJJI	47	5	.48	.372	.36	1800	.336
756-PWC2512-68RJJI	PWC2512-68RJJI	68	5	.48	.372	.36	1800	.336
756-PWC2512-100RJJI	PWC2512-100RJJI	100	5	.48	.372	.36	1800	.336
756-PWC2512-150RJJI	PWC2512-150RJJI	150	5	.48	.372	.36	1800	.336
756-PWC2512-220RJJI	PWC2512-220RJJI	220	5	.48	.372	.36	1800	.336
756-PWC2512-330RJJI	PWC2512-330RJJI	330	5	.48	.372	.36	1800	.336
756-PWC2512-470RJJI	PWC2512-470RJJI	470	5	.48	.372	.36	1800	.336
756-PWC2512-680RJJI	PWC2512-680RJJI	680	5	.48	.372	.36	1800	.336
756-PWC2512-1K0JJI	PWC2512-1K0JJI	1K	5	.48	.372	.36	1800	.336
756-PWC2512-1K5JJI	PWC2512-1K5JJI	1.5K	5	.48	.372	.36	1800	.336
756-PWC2512-2K2JJI	PWC2512-2K2JJI	2.2K	5	.48	.372	.36	1800	.336
756-PWC2512-3K3JJI	PWC2512-3K3JJI	3.3K	5	.48	.372	.36	1800	.336
756-PWC2512-4K7JJI	PWC2512-4K7JJI	4.7K	5	.48	.372	.36	1800	.336
756-PWC2512-6K8JJI	PWC2512-6K8JJI	6.8K	5	.48	.372	.36	1800	.336
756-PWC2512-10KJJI	PWC2512-10KJJI	10K	5	.48	.372	.36	1800	.336
756-PWC2512-15KJJI	PWC2512-15KJJI	15K	5	.48	.372	.36	1800	.336
756-PWC2512-22KJJI	PWC2512-22KJJI	22K	5	.48	.372	.36	1800	.336
756-PWC2512-33KJJI	PWC2512-33KJJI	33K	5	.48	.372	.36	1800	.336
756-PWC2512-47KJJI	PWC2512-47KJJI	47K	5	.48	.372	.36	1800	.336
756-PWC2512-68KJJI	PWC2512-68KJJI	68K	5	.48	.372	.36	1800	.336
756-PWC2512-100KJJI	PWC2512-100KJJI	100K	5	.48	.372	.36	1800	.336

## WELWYN DSC SERIES DOUBLE-SIDED CHIP RESISTORS

- Features:**
- Two parallel resistance elements in a single chip
  - Excellent pulse withstand performance
  - Laser trimmed up to 0.5% tolerance
  - Enhanced working voltage
  - Enhanced power rating
  - Weight (g): 0.055



RoHS Compliant



### 2512 Case Size, 1.5 Watt

For quantities greater than listed, call for quote.

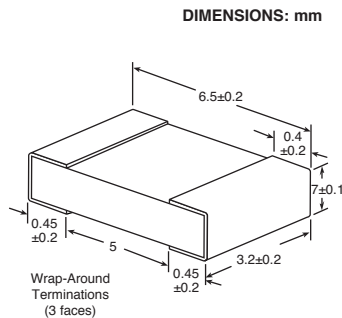
MOUSER STOCK NO.	Welwyn Part No.	Value (Ω)	Tol. %	Price Each			Reel Qty.	Price Per Piece
				1	100	450		
756-DSC2512-10RJTI18	DSC2512-10RJTI18	10	5	1.50	.989	.963	1800	.951
756-DSC2512-15RJTI18	DSC2512-15RJTI18	15	5	1.50	.989	.963	1800	.951
756-DSC2512-22RJTI18	DSC2512-22RJTI18	22	5	1.50	.989	.963	1800	.951
756-DSC2512-33RJTI18	DSC2512-33RJTI18	33	5	1.50	.989	.963	1800	.951
756-DSC2512-47RJTI18	DSC2512-47RJTI18	47	5	1.50	.989	.963	1800	.951
756-DSC2512-68RJTI18	DSC2512-68RJTI18	68	5	1.50	.989	.963	1800	.951
756-DSC2512-100RJTI18	DSC2512-100RJTI18	100	5	1.50	.989	.963	1800	.951
756-DSC2512-150RJTI18	DSC2512-150RJTI18	150	5	1.50	.989	.963	1800	.951
756-DSC2512-220RJTI18	DSC2512-220RJTI18	220	5	1.50	.989	.963	1800	.951
756-DSC2512-330RJTI18	DSC2512-330RJTI18	330	5	1.50	.989	.963	1800	.951
756-DSC2512-470RJTI18	DSC2512-470RJTI18	470	5	1.50	.989	.963	1800	.951
756-DSC2512-680RJTI18	DSC2512-680RJTI18	680	5	1.50	.989	.963	1800	.951
756-DSC2512-1K0JTI18	DSC2512-1K0JTI18	1K	5	1.50	.989	.963	1800	.951
756-DSC2512-1K5JTI18	DSC2512-1K5JTI18	1.5K	5	1.50	.989	.963	1800	.951
756-DSC2512-4K7JTI18	DSC2512-4K7JTI18	4.7K	5	1.50	.989	.963	1800	.951
756-DSC2512-6K8JTI18	DSC2512-6K8JTI18	6.8K	5	1.50	.989	.963	1800	.951
756-DSC2512-10KJTI18	DSC2512-10KJTI18	10K	5	1.50	.989	.963	1800	.951
756-DSC2512-15KJTI18	DSC2512-15KJTI18	15K	5	1.50	.989	.963	1800	.951
756-DSC2512-22KJTI18	DSC2512-22KJTI18	22K	5	1.50	.989	.963	1800	.951
756-DSC2512-33KJTI18	DSC2512-33KJTI18	33K	5	1.50	.989	.963	1800	.951
756-DSC2512-47KJTI18	DSC2512-47KJTI18	47K	5	1.50	.989	.963	1800	.951
756-DSC2512-68KJTI18	DSC2512-68KJTI18	68K	5	1.50	.989	.963	1800	.951
756-DSC2512-100KJTI18	DSC2512-100KJTI18	100K	5	1.50	.989	.963	1800	.951

## WELWYN HVC SERIES HIGH VOLTAGE CHIPS

- Features:**
- Continuous voltages up to 3kV
  - Overload voltages up to 4kV
  - Values up to 100M
  - Robust thick film construction
  - Weight (g): 0.055



RoHS Compliant



### 2512 Case Size, 1 Watt

For quantities greater than listed, call for quote.

MOUSER STOCK NO.	Welwyn Part No.	Value (Ω)	Tol. %	Price Each			Reel Qty.	Price Per Piece
				1	100	450		
756-HVC2512-100KFT18	HVC2512-100KFT18	100K	1	.79	.749	.733	1800	.691
756-HVC2512-150KFT18	HVC2512-150KFT18	150K	1	.79	.749	.733	1800	.691
756-HVC2512-220KFT18	HVC2512-220KFT18	220K	1	.79	.749	.733	1800	.691
756-HVC2512-330KFT18	HVC2512-330KFT18	330K	1	.79	.749	.733	1800	.691
756-HVC2512-470KFT18	HVC2512-470KFT18	470K	1	.79	.749	.733	1800	.691
756-HVC2512-680KFT18	HVC2512-680KFT18	680K	1	.79	.749	.733	1800	.691
756-HVC2512-1M0FT18	HVC2512-1M0FT18	1M	1	.79	.749	.733	1800	.691
756-HVC2512-2M0FT18	HVC2512-2M0FT18	2M	1	.79	.749	.733	1800	.691
756-HVC2512-3M0FT18	HVC2512-3M0FT18	3M	1	.79	.749	.733	1800	.691
756-HVC2512-4M0FT18	HVC2512-4M0FT18	4M	1	.78	.74	.73	1800	.69
756-HVC2512-6M0T18	HVC2512-6M0T18	6M	1	.78	.74	.73	1800	.69
756-HVC2512-8M0FT18	HVC2512-8M0FT18	8M	1	.78	.74	.73	1800	.69
756-HVC2512-10MFT18	HVC2512-10MFT18	10M	1	.79	.749	.733	1800	.691
756-HVC2512-30MJT18	HVC2512-30MJT18	30M	5	.78	.742	.727	1800	.685
756-HVC2512-40MJT18	HVC2512-40MJT18	40M	5	.76	.715	.70	1800	.66
756-HVC2512-100MFT18	HVC2512-100MFT18	100M	5	.76	.715	.70	1800	.66

SMD Resistors Welwyn