

## WSL SERIES

### Features:

- Ideal for all types of current sensing, voltage division and pulse applications including switching and linear power supplies, instruments, and power amplifiers.
- Solid metal Nickel-Chrome or Manganese-Copper alloy resistive element with low TCR (<20ppm/°C)
- Solderable terminations
- Very low inductance 0.5nH to 5nH
- Low thermal EMF

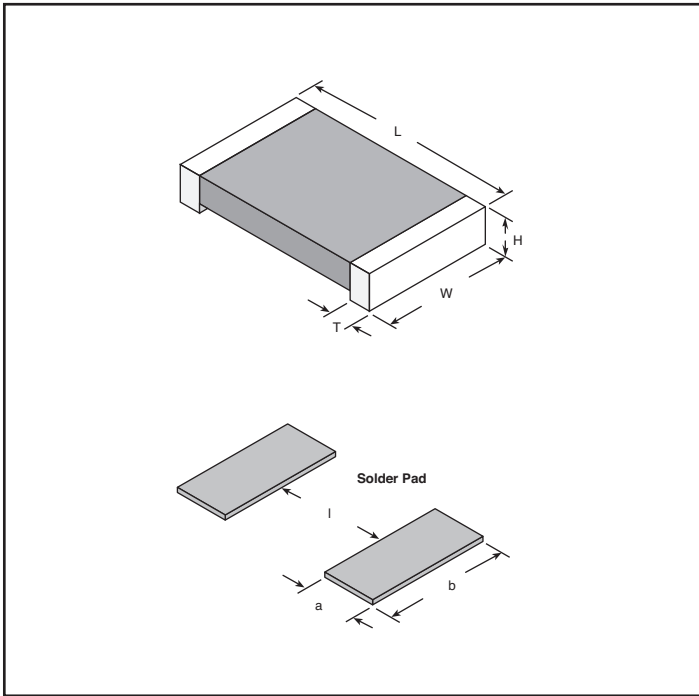


LEAD-FREE



RoHS Compliant

Current Sense Vishay



Series Type	Resistance Range (Ω)	Dimensions: in. (mm)						
		L	W	H	T	a	b	i
WSL0603	1.01-0.1	0.060±0.010 (1.52±0.254)	0.030±0.010 (0.76±0.254)	0.013±0.005 (0.330±0.127)	0.015±0.010 (0.381±0.254)	0.040 (1.01)	0.040 (1.01)	0.020 (0.50)
WSL0805	0.01-0.2	0.080±0.010 (2.03±0.254)	0.050±0.010 (1.27±0.254)	0.013±0.005 (0.330±0.127)	0.015±0.010 (0.381±0.254)	0.040 (1.01)	0.050 (1.27)	0.020 (0.50)
WSL1206	0.001-0.0019	0.126±0.010 (3.20±0.254)	0.063±0.010 (1.60±0.254)	0.025±0.010 (0.635±0.254)	0.041±0.010 (1.04±0.254)	0.062 (1.57)	0.070 (1.78)	0.030 (1.40)
	0.002-0.0059	0.126±0.010 (3.20±0.254)	0.063±0.010 (1.60±0.254)	0.025±0.010 (0.635±0.254)	0.025±0.010 (0.635±0.254)	0.062 (1.57)	0.070 (1.78)	0.030 (1.40)
WSL2010	0.001-0.0069	0.200±0.010 (5.08±0.254)	0.100±0.010 (2.54±0.254)	0.025±0.010 (0.635±0.254)	0.058±0.010 (1.47±0.254)	0.093 (2.36)	0.120 (3.05)	0.055 (1.40)
	0.007-0.05	0.200±0.010 (5.08±0.254)	0.100±0.010 (2.54±0.254)	0.025±0.010 (0.635±0.254)	0.020±0.010 (0.508±0.254)	0.055 (1.40)	0.120 (3.05)	0.130 (3.30)
WSL2512	0.001-0.0049	0.250±0.010 (6.35±0.254)	0.125±0.010 (3.18±0.254)	0.025±0.010 (0.635±0.254)	0.087±0.010 (2.21±0.254)	0.120 (3.05)	0.145 (3.68)	0.050 (1.27)
	0.005-0.0069	0.250±0.010 (6.35±0.254)	0.125±0.010 (3.18±0.254)	0.025±0.010 (0.635±0.254)	0.047±0.010 (1.19±0.254)	0.083 (2.11)	0.145 (3.68)	0.125 (3.18)
	0.007-0.5	0.250±0.010 (6.35±0.254)	0.125±0.010 (3.18±0.254)	0.025±0.010 (0.635±0.254)	0.030±0.010 (0.762±0.254)	0.065 (1.65)	0.145 (3.68)	0.160 (4.06)

### WSL0603, 1/10 Watt

For quantities greater than listed, call for quote.

MOUSER STOCK NO.	Vishay Part No.	Value (Ω)	Price Each				
			1	100	500	1000	5000
71-WSL0603R0100FEA	WSL0603R0100FEA	0.01	.90	.656	.447	.398	.32
71-WSL0603R0150FEA	WSL0603R0150FEA	0.015	.90	.656	.447	.398	.32
71-WSL0603R0160FEA	WSL0603R0160FEA	0.016	.90	.656	.447	.398	.32
71-WSL0603R0180FEA	WSL0603R0180FEA	0.018	.90	.656	.447	.398	.32
71-WSL0603R0200FEA	WSL0603R0200FEA	0.02	.90	.656	.447	.398	.32
71-WSL0603R0220FEA	WSL0603R0220FEA	0.022	.90	.656	.447	.398	.32
71-WSL0603R0250FEA	WSL0603R0250FEA	0.025	.90	.656	.447	.398	.32
71-WSL0603R0300FEA	WSL0603R0300FEA	0.03	.90	.656	.447	.398	.32
71-WSL0603R0330FEA	WSL0603R0330FEA	0.033	.90	.656	.447	.398	.32
71-WSL0603R0500FEA	WSL0603R0500FEA	0.05	.90	.656	.447	.398	.32
71-WSL0603R0510FEA	WSL0603R0510FEA	0.051	.90	.656	.447	.398	.32
71-WSL0603R1000FEA	WSL0603R1000FEA	0.1	.72	.538	.367	.327	.256

### WSL0805, 1/8 Watt

For quantities greater than listed, call for quote.

MOUSER STOCK NO.	Vishay Part No.	Value (Ω)	Price Each				
			1	100	500	1000	5000
71-WSL0805R0500FEA	WSL0805R0500FEA	0.05	.90	.656	.447	.398	.32
71-WSL0805R0800FEA	WSL0805R0800FEA	0.08	.72	.538	.367	.327	.256
71-WSL0805R1000FEA	WSL0805R1000FEA	0.1	.72	.538	.367	.327	.256
71-WSL0805R1500FEA	WSL0805R1500FEA	0.15	.72	.538	.367	.327	.256

### WSL1206, 1/4 Watt

For quantities greater than listed, call for quote.

MOUSER STOCK NO.	Vishay Part No.	Value (Ω)	Price Each				
			1	100	500	1000	4000
71-WSL1206R0100FEA	WSL1206R0100FEA	0.01	1.12	.739	.504	.448	.352
71-WSL1206R0150FEA	WSL1206R0150FEA	0.015	1.12	.739	.504	.448	.352
71-WSL1206R0200FEA	WSL1206R0200FEA	0.02	1.12	.739	.504	.448	.352
71-WSL1206R0250FEA	WSL1206R0250FEA	0.025	1.12	.739	.504	.448	.352
71-WSL1206R0300FEA	WSL1206R0300FEA	0.03	1.12	.739	.504	.448	.352
71-WSL1206R0330FEA	WSL1206R0330FEA	0.033	1.12	.739	.504	.448	.352
71-WSL1206R0400FEA	WSL1206R0400FEA	0.04	1.12	.739	.504	.448	.352
71-WSL1206R0470FEA	WSL1206R0470FEA	0.047	1.12	.84	.739	.56	.504
71-WSL1206R0500FEA	WSL1206R0500FEA	0.05	1.12	.739	.504	.448	.352
71-WSL1206R0600FEA	WSL1206R0600FEA	0.06	1.12	.739	.504	.448	.352
71-WSL1206R0650FEA	WSL1206R0650FEA	0.065	1.12	.739	.504	.448	.352
71-WSL1206R0680FEA	WSL1206R0680FEA	0.068	1.12	.739	.504	.448	.352
71-WSL1206R0800FEA	WSL1206R0800FEA	0.08	.81	.605	.413	.367	.288
71-WSL1206R1000FEA	WSL1206R1000FEA	0.1	.81	.605	.413	.367	.288
71-WSL1206R1500FEA	WSL1206R1500FEA	0.15	.81	.605	.413	.367	.288
71-WSL1206R2000FEA	WSL1206R2000FEA	0.2	.81	.605	.413	.367	.288
71-WSL1206R2500FEA	WSL1206R2500FEA	0.25	.81	.605	.413	.367	.288

### WSL2010, 1/2 Watt

For quantities greater than listed, call for quote.

MOUSER STOCK NO.	Vishay Part No.	Value (Ω)	Price Each				
			1	100	500	1000	4000
71-WSL20104L000FEA	WSL20104L000FEA	0.004	1.92	1.26	.864	.768	.608
71-WSL20105L000FEA	WSL20105L000FEA	0.005	1.82	1.21	.825	.735	.576
71-WSL20107L000FEA	WSL20107L000FEA	0.007	1.82	1.21	.825	.735	.576
71-WSL2010R0100FEA	WSL2010R0100FEA	0.01	1.14	.838	.571	.508	.40
71-WSL2010R0150FEA	WSL2010R0150FEA	0.015	1.14	.838	.571	.508	.40
71-WSL2010R0200FEA	WSL2010R0200FEA	0.02	1.14	.838	.571	.508	.40
71-WSL2010R0250FEA	WSL2010R0250FEA	0.025	1.14	.838	.571	.508	.40
71-WSL2010R0300FEA	WSL2010R0300FEA	0.03	1.14	.838	.571	.508	.40
71-WSL2010R0330FEA	WSL2010R0330FEA	0.033	1.14	.838	.571	.508	.40
71-WSL2010R0400FEA	WSL2010R0400FEA	0.04	1.14	.838	.571	.508	.40
71-WSL2010R0500FEA	WSL2010R0500FEA	0.05	1.14	.838	.571	.508	.40
71-WSL2010R1000FEA	WSL2010R1000FEA	0.1	1.07	.706	.481	.428	.336
71-WSL2010R1200FEA	WSL2010R1200FEA	0.12	1.07	.706	.481	.428	.336
71-WSL2010R1500FEA	WSL2010R1500FEA	0.15	.95	.706	.481	.428	.336
71-WSL2010R1800FEA	WSL2010R1800FEA	0.18	1.07	.706	.481	.428	.336
71-WSL2010R2000FEA	WSL2010R2000FEA	0.2	1.07	.706	.481	.428	.336
71-WSL2010R2200FEA	WSL2010R2200FEA	0.22	1.07	.706	.481	.428	.336
71-WSL2010R2500FEA	WSL2010R2500FEA	0.25	1.07	.706	.481	.428	.336
71-WSL2010R3000FEA	WSL2010R3000FEA	0.3	1.07	.706	.481	.428	.336
71-WSL2010R3320FEA	WSL2010R3320FEA	0.332	1.07	.706	.481	.428	.336
71-WSL2010R4000FEA	WSL2010R4000FEA	0.4	1.07	.706	.481	.428	.336
71-WSL2010R4700FEA	WSL2010R4700FEA	0.47	1.07	.706	.481	.428	.336
71-WSL2010R5000FEA	WSL2010R5000FEA	0.5	1.07	.706	.481	.428	.336

### WSL2512, 1 Watt

For quantities greater than listed, call for quote.

MOUSER STOCK NO.	Vishay Part No.	Value (Ω)	Price Each				
			1	100	500	1000	2000
71-WSL25123L000FEA	WSL25123L000FEA	0.003	1.97	1.30	.886	.788	.64
71-WSL25124L000FEA	WSL25124L000FEA	0.004	1.97	1.30	.886	.788	.64
71-WSL25125L000FEA	WSL25125L000FEA	0.005	1.87	1.23	.841	.748	.61
71-WSL25126L000FEA	WSL25126L000FEA	0.006	1.87	1.23	.841	.748	.61
71-WSL25127L000FEA	WSL25127L000FEA	0.007	1.87	1.23	.841	.748	.61
71-WSL2512R0100FEA	WSL2512R0100FEA	0.01	1.03	.759	.518	.461	.42
71-WSL2512R0120FEA	WSL2512R0120FEA	0.012	1.03	.759	.518	.461	.42
71-WSL2512R0150FEA	WSL2512R0150FEA	0.015	.81	.56	.45	.40	.39
71-WSL2512R0200FEA	WSL2512R0200FEA	0.02	1.03	.759	.518	.461	.42
71-WSL2512R0220FEA	WSL2512R0220FEA	0.022	1.27	.99	.75	.66	.64
71-WSL2512R0240FEA	WSL2512R0240FEA	0.024	1.03	.759	.518	.461	.42
71-WSL2512R0250FEA	WSL2512R0250FEA	0.025	.81	.56	.45	.40	.39
71-WSL2512R0300FEA	WSL2512R0300FEA	0.03	1.03	.759	.518	.461	.42
71-WSL2512R0330FEA	WSL2512R0330FEA	0.033	1.27	.838	.571	.508	.42
71-WSL2512R0400FEA	WSL2512R0400FEA	0.04	1.03	.759	.518	.461	.42
71-WSL2512R0500FEA	WSL2512R0500FEA	0.05	.81	.56	.45	.40	.39
71-WSL2512R0560FEA	WSL2512R0560FEA	0.056	1.03	.759	.518	.461	.42
71-WSL2512R0620FEA	WSL2512R0620FEA	0.062	1.03	.759	.518	.461	.42
71-WSL2512R0680FEA	WSL2512R0680FEA	0.068	1.03	.759	.518	.461	.42
71-WSL2512R0750FEA	WSL2512R0750FEA	0.075	1.12	.739	.504	.448	.37
71-WSL2512R0800FEA	WSL2512R0800FEA	0.08	1.12	.739	.504	.448	.37
71-WSL2512R1000FEA	WSL2512R1000FEA	0.1	1.12	.739	.504	.448	.37
71-WSL2512R1500FEA	WSL2512R1500FEA	0.15	1.12	.739	.504	.448	.37
71-WSL2512R2000FEA	WSL2512R2000FEA	0.2	1.12	.739	.504	.448	.352
71-WSL2512R2500FEA	WSL2512R2500FEA	0.25	1.12	.739	.504	.448	.37
71-WSL2512R3000FEA	WSL2512R3000FEA	0.3	1.12	.739	.504	.448	.37
71-WSL2512R3300FEA	WSL2512R3300FEA	0.33	1.12	.739	.504	.448	.37
71-WSL2512R4000FEA	WSL2512R4000FEA	0.4	1.12	.739	.504	.448	.37
71-WSL2512R4700FEA	WSL2512R4700FEA	0.47	1.12	.739	.504	.448	.37
71-WSL2512R5000FEA	WSL2512R5000FEA	0.5	1.12	.739	.504	.448	.352