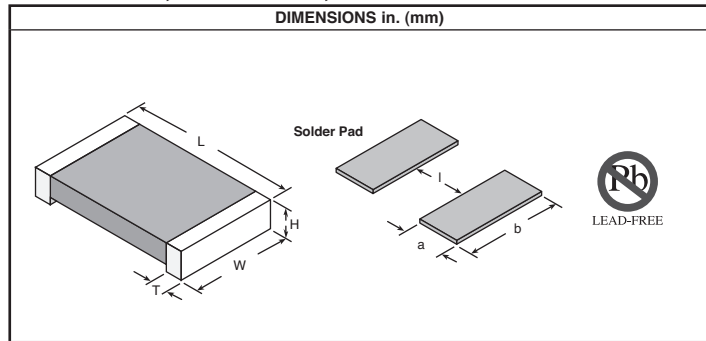


VISHAY/DALE Power Metal Strip® Resistors



This product is RoHS compliant.

WSLP - 0603, 0805 AND 1206 SERIES - HIGH POWER, LOW VALUE, SMD



Model	Resistance Range (Ω)	Dimensions: in. (mm)				Solder Pad Dimensions: in. (mm)		
		L	W	H	T	a	b	l
WSLP0603	0.01 to 0.1	.060±.010 (1.52±.254)	.030±.010 (.76±.254)	.013±.010 (.330±.254)	.015±.010 (.381±.254)	.040 (1.02)	.040 (1.02)	.020 (.50)
WSLP0805	0.01 to 0.05	.080±.010 (2.03±.254)	.050±.010 (1.27±.254)	.013±.010 (.330±.254)	.015±.010 (.381±.254)	.040 (1.02)	.050 (1.27)	.020 (.50)
WSLP1206	0.001 to 0.0019	.126±.010 (3.20±.254)	.063±.010 (1.60±.254)	.025±.010 (.635±.254)	.041±.010 (1.04±.254)	.062 (1.57)	.070 (1.78)	.030 (.76)
	0.002 to 0.0059				.025±.010 (.635±.254)			
	0.006 to 0.075				.020±.010 (.508±.254)			

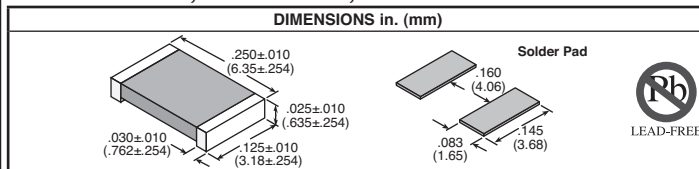
- Features:**
- Ideal for all types of current sensing and pulse applications including switching and linear power supplies, instruments, power amplifiers and shunts
 - Proprietary processing technique produces extremely low resistance values (down to 0.001Ω)
 - Solid metal nickel-chrome or manganese-copper alloy resistive element with low TCR (<20ppm/°C)

- Excellent frequency response to 50MHz
- Very high power to foot print size ratio
- Very low inductance (0.5nH to 5nH)
- Low thermal EMF (<3µV/°C)
- All welded construction

For quantities greater than listed, call for quote.

MOUSER STOCK NO.	Vishay Part No.	Value (Ω)	Price Each			
			1	100	500	1000
0.4 Watt: WSLP0603 Series						
71-WSLP0603R0100FEA	WSLP0603R0100FEA	0.01	.81	.605	.413	.41
71-WSLP0603R0150FEA	WSLP0603R0150FEA	0.015	.81	.605	.413	.41
71-WSLP0603R0160FEA	WSLP0603R0160FEA	0.016	.81	.605	.413	.41
71-WSLP0603R0180FEA	WSLP0603R0180FEA	0.018	.81	.605	.413	.41
71-WSLP0603R0200FEA	WSLP0603R0200FEA	0.02	.81	.605	.413	.41
71-WSLP0603R0220FEA	WSLP0603R0220FEA	0.022	.81	.605	.413	.41
71-WSLP0603R0250FEA	WSLP0603R0250FEA	0.025	.81	.605	.413	.41
71-WSLP0603R0300FEA	WSLP0603R0300FEA	0.03	.81	.605	.413	.41
71-WSLP0603R0330FEA	WSLP0603R0330FEA	0.033	.81	.605	.413	.41
71-WSLP0603R0400FEA	WSLP0603R0400FEA	0.04	.81	.605	.413	.41
71-WSLP0603R0470FEA	WSLP0603R0470FEA	0.047	.81	.605	.413	.41
71-WSLP0603R0500FEA	WSLP0603R0500FEA	0.05	.81	.605	.413	.41
71-WSLP0603R0510FEA	WSLP0603R0510FEA	0.051	.81	.605	.413	.41
71-WSLP0603R0600FEA	WSLP0603R0600FEA	0.06	.81	.605	.413	.41
71-WSLP0603R0680FEA	WSLP0603R0680FEA	0.068	.81	.605	.413	.41
71-WSLP0603R0750FEA	WSLP0603R0750FEA	0.075	.81	.605	.413	.41
71-WSLP0603R0800FEA	WSLP0603R0800FEA	0.08	.81	.605	.413	.41
71-WSLP0603R0900FEA	WSLP0603R0900FEA	0.09	.81	.605	.413	.41
71-WSLP0603R1000FEA	WSLP0603R1000FEA	0.1	.81	.605	.413	.41
1/2 Watt: WSLP0805 Series						
71-WSLP0805R0100FEA	WSLP0805R0100FEA	0.01	.81	.605	.413	.41
71-WSLP0805R0120FEA	WSLP0805R0120FEA	0.012	.81	.605	.413	.41
71-WSLP0805R0150FEA	WSLP0805R0150FEA	0.015	.81	.605	.413	.41
71-WSLP0805R0160FEA	WSLP0805R0160FEA	0.016	.81	.605	.413	.41
71-WSLP0805R0180FEA	WSLP0805R0180FEA	0.018	.81	.605	.413	.41
71-WSLP0805R0200FEA	WSLP0805R0200FEA	0.02	.81	.605	.413	.41
71-WSLP0805R0220FEA	WSLP0805R0220FEA	0.022	.81	.605	.413	.41
71-WSLP0805R0240FEA	WSLP0805R0240FEA	0.024	.81	.605	.413	.41
71-WSLP0805R0250FEA	WSLP0805R0250FEA	0.025	.81	.605	.413	.41
71-WSLP0805R0270FEA	WSLP0805R0270FEA	0.027	.81	.605	.413	.41
71-WSLP0805R0300FEA	WSLP0805R0300FEA	0.03	.81	.605	.413	.41
71-WSLP0805R0330FEA	WSLP0805R0330FEA	0.033	.81	.605	.413	.41
71-WSLP0805R0350FEA	WSLP0805R0350FEA	0.035	.81	.605	.413	.41
71-WSLP0805R0400FEA	WSLP0805R0400FEA	0.04	.81	.605	.413	.41
71-WSLP0805R0470FEA	WSLP0805R0470FEA	0.047	.81	.605	.413	.41
71-WSLP0805R0500FEA	WSLP0805R0500FEA	0.05	.81	.605	.413	.41
1 Watt: WSLP1206 Series						
71-WSLP1206-0.005-E3	WSLP12065L000FEB	0.005	1.54	.99	.75	.66
71-WSLP1206-0.01-E3	WSLP1206R0100FEB	0.01	.88	.57	.535	.52
71-WSLP1206-0.015-E3	WSLP1206R0150FEB	0.015	.88	.57	.535	.52
71-WSLP1206-0.02-E3	WSLP1206R0200FEB	0.02	.88	.57	.535	.52
71-WSLP1206-0.03-E3	WSLP1206R0300FEB	0.03	.88	.57	.535	.52
71-WSLP1206-0.05-E3	WSLP1206R0500FEB	0.05	.88	.57	.535	.52

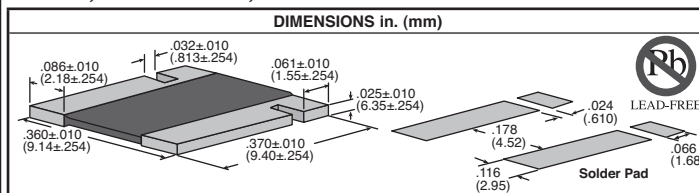
WSLT-2512 SERIES - 1 WATT, HIGH TEMPERATURE, LOW VALUE, SMD



- Features:**
- Proprietary processing technique produces extremely low resistance values
 - Solid metal nickel-chrome alloy resistive element with low TCR (<20ppm/°C)
 - Very low inductance (<5nH)
 - Low thermal EMF (<3µV/°C)

MOUSER STOCK NO.	Vishay Part No.	Value (Ω)	Price Each			
			1	100	500	1000
71-WSLT2512-0.01-E3	WSLT2512R0100FEB	0.01	1.22	.79	.60	.495
71-WSLT2512-0.015-E3	WSLT2512R0150FEB	0.015	1.22	.79	.60	.495
71-WSLT2512-0.02-E3	WSLT2512R0200FEB	0.02	1.22	.79	.60	.495
71-WSLT2512-0.05-E3	WSLT2512R0500FEB	0.05	1.22	.79	.60	.495
71-WSLT2512-0.1-E3	WSLT2512R1000FEB	0.1	1.11	.72	.54	.46
71-WSLT2512-0.2-E3	WSLT2512R2000FEB	0.2	1.11	.72	.54	.46
71-WSLT2512-0.5-E3	WSLT2512R5000FEB	0.5	1.11	.72	.54	.46

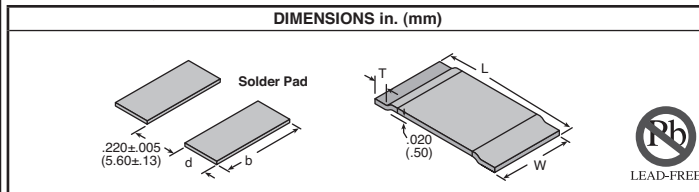
WSL3637 SERIES - 3 WATT, LOW VALUE, 4-TERMINAL, SMD



- Features:**
- 4-Terminal design allows for 0.5% resistance tolerance down to 0.003Ω
 - Ideal for all types of current sensing, voltage division, pulse applications including switching, linear power supplies, instruments and power amplifiers
 - Standard 1% tolerance (0.5% is available)
 - Solid metal nickel-chrome alloy resistive element
 - All welded construction
 - Solderable terminations

MOUSER STOCK NO.	Vishay Part No.	Value (Ω)	Price Each			
			1	100	500	1000
71-WSL3637-0.003-E3	WSL3637L000FEB	0.003	2.27	1.49	1.02	.908
71-WSL3637-0.004-E3	WSL3637L000FEB	0.004	2.27	1.49	1.02	.908
71-WSL3637-0.005-E3	WSL3637L000FEB	0.005	1.99	1.56	1.17	1.01
71-WSL3637-0.006-E3	WSL3637L000FEB	0.006	1.99	1.56	1.17	1.01
71-WSL3637-0.007-E3	WSL3637L000FEB	0.007	1.99	1.56	1.17	1.01
71-WSL3637-0.008-E3	WSL3637L000FEB	0.008	1.99	1.56	1.17	1.01
71-WSL3637-0.01-E3	WSL3637R0100FEB	0.01	1.92	1.26	.864	.768

WSL3921 AND WSL5931 SERIES - LOW VALUE, SMD



Series Type	Dimensions: in. (mm)				
	L	W	T	Solder Pad	
WSL3921	0.394±0.010 (10.0±0.254)	0.205±0.010 (5.20±.254)	0.080±0.010 (2.00±.254)	.0106±0.010 (2.70±.254)	0.244±0.010 (6.20±.254)
WSL5931	0.591±0.010 (15.0±0.254)	0.305±0.010 (7.75±.254)	0.157±0.010 (4.00±.254)	.0205±0.010 (5.20±.254)	0.244±0.010 (6.20±.254)

- Features:**
- Ideal for all types of current sensing, voltage division, pulse applications, switching and linear power supplies, instruments and power amplifiers
 - Solid metal iron-chrome or manganese-copper alloy resistive element
 - Standard 1% tolerance (5% is available)
 - 100% lead (Pb)-free and RoHS compliant
 - Proprietary processing technique produces extremely low resistance values
 - Very low inductance 0.5nH to 5nH
 - All welded construction

3 Watt: WSL3921 Series						
71-WSL3921-0.003-E3	WSL3921L3000FEB	0.0003	2.27	1.49	1.02	.908
71-WSL3921-0.005-E3	WSL3921L5000FEB	0.0005	2.27	1.49	1.02	.908
71-WSL3921-0.001-E3	WSL3921L1000FEB	0.001	2.27	1.49	1.02	.908
71-WSL3921-0.002-E3	WSL3921L2000FEB	0.002	2.27	1.49	1.02	.908
71-WSL3921-0.003-E3	WSL3921L3000FEB	0.003	2.27	1.49	1.02	.908
71-WSL3921-0.004-E3	WSL3921L4000FEB	0.004	2.27	1.49	1.02	.908
5 Watt: WSL5931 Series						
71-WSL5931-0.002-E3	WSL5931L2000FEB	0.0002	3.27	2.15	1.47	1.39
71-WSL5931-0.003-E3	WSL5931L3000FEB	0.0003	3.27	2.15	1.47	1.39
71-WSL5931-0.005-E3	WSL5931L5000FEB	0.0005	3.27	2.15	1.47	1.39
71-WSL5931-0.001-E3	WSL5931L1000FEB	0.001	3.27	2.15	1.47	1.39
71-WSL5931-0.002-E3	WSL5931L2000FEB	0.002	3.27	2.15	1.47	1.39
71-WSL5931-0.003-E3	WSL5931L3000FEB	0.003	3.27	2.15	1.47	1.39