

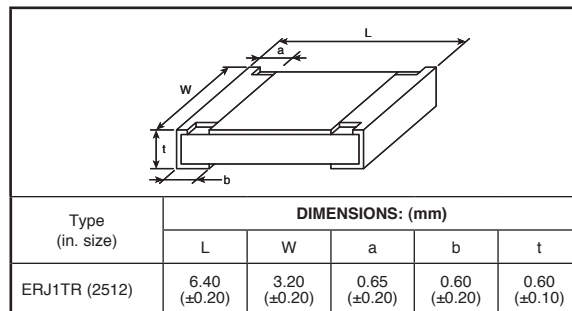
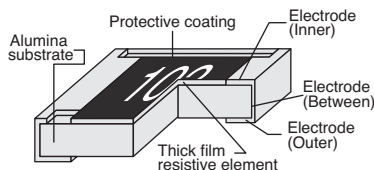
# PANASONIC Thick Film Chip Resistors



## ERJ SERIES LOW RESISTANCE TYPE (CONT.)

**Features:**

- Small size and lightweight
- High reliability: Metal glaze thick film resistive element and three layers of electrodes
- Low Resistance Value
- Suitable for both reflow and flow soldering
- Operating Temperature Range: -55°C to +125°C



For quantities greater than listed, call for quote.

MOUSER STOCK NO.	Panasonic Part No.	Value (Ω)	Power Rating (Watts)	Case Size	Price Each			Reel Quantity	Price Per Piece
					1	100	500		
667-ERJ-1TRQFR22U	ERJ-1TRQFR22U	0.22	1	2512	1.24	.577	.429	4000	.219
667-ERJ-1TRQFR27U	ERJ-1TRQFR27U	0.27	1	2512	1.24	.577	.429	4000	.219
667-ERJ-1TRQFR33U	ERJ-1TRQFR33U	0.33	1	2512	1.24	.577	.429	4000	.219
667-ERJ-1TRQFR39U	ERJ-1TRQFR39U	0.39	1	2512	1.24	.577	.429	4000	.219
667-ERJ-1TRQFR47U	ERJ-1TRQFR47U	0.47	1	2512	1.24	.577	.429	4000	.219
667-ERJ-1TRQFR56U	ERJ-1TRQFR56U	0.56	1	2512	1.24	.577	.429	4000	.219
667-ERJ-1TRQFR68U	ERJ-1TRQFR68U	0.68	1	2512	1.24	.577	.429	4000	.219
667-ERJ-1TRQFR82U	ERJ-1TRQFR82U	0.82	1	2512	1.24	.577	.429	4000	.219
667-ERJ-1TRQF1R0U	ERJ-1TRQF1R0U	1	1	2512	1.24	.577	.429	4000	.219
667-ERJ-1TRQF1R2U	ERJ-1TRQF1R2U	1.2	1	2512	1.24	.577	.429	4000	.219
667-ERJ-1TRQF1R5U	ERJ-1TRQF1R5U	1.5	1	2512	1.24	.577	.429	4000	.219
667-ERJ-1TRQF1R8U	ERJ-1TRQF1R8U	1.8	1	2512	1.24	.577	.429	4000	.219
667-ERJ-1TRQF2R2U	ERJ-1TRQF2R2U	2.2	1	2512	1.24	.577	.429	4000	.219
667-ERJ-1TRQF2R7U	ERJ-1TRQF2R7U	2.7	1	2512	1.24	.577	.429	4000	.219
667-ERJ-1TRQF3R3U	ERJ-1TRQF3R3U	3.3	1	2512	1.24	.577	.429	4000	.219
667-ERJ-1TRQF3R9U	ERJ-1TRQF3R9U	3.9	1	2512	1.24	.577	.429	4000	.219
667-ERJ-1TRQF4R7U	ERJ-1TRQF4R7U	4.7	1	2512	1.24	.577	.429	4000	.219
667-ERJ-1TRQF5R6U	ERJ-1TRQF5R6U	5.6	1	2512	1.24	.577	.429	4000	.219
667-ERJ-1TRQF6R8U	ERJ-1TRQF6R8U	6.8	1	2512	1.24	.577	.429	4000	.219
667-ERJ-1TRQF8R2U	ERJ-1TRQF8R2U	8.2	1	2512	1.24	.577	.429	4000	.219

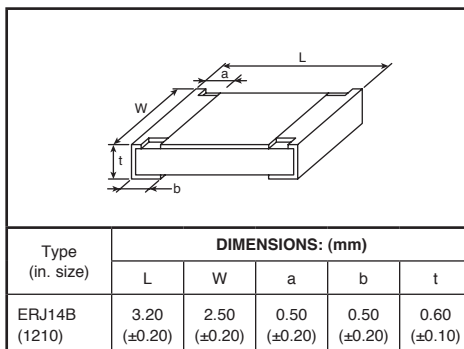
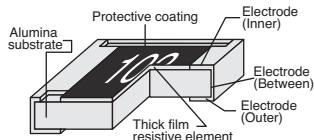
SMD Resistors

Panasonic

## ERJXG SERIES

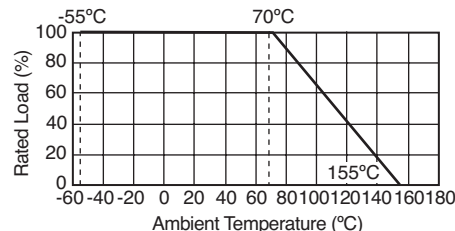
**Features:**

- Small size and lightweight
- High reliability: Metal glaze thick film resistive element and three layers of electrodes
- Compatible with placement machines
- Suitable for both reflow and flow soldering
- Resistance Tolerance: 5%
- Operating Temperature Range: -55°C to +125°C



**Power Derating Curve**

For resistors operated in ambient temperatures above 70°C, power rating shall be derated in accordance with figure on the below.



For quantities greater than listed, call for quote.

MOUSER STOCK NO.	Panasonic Part No.	Value (Ω)	Power Rating (Watts)	Case Size	Price Each			Reel Quantity	Price Per Piece
					1	100	500		
667-ERJ-XGNJ100Y	ERJ-XGNJ100Y	10	0.031	01005	.51	.159	.123	20000	.053
667-ERJ-XGNJ220Y	ERJ-XGNJ220Y	22	0.031	01005	.51	.159	.123	20000	.053
667-ERJ-XGNJ330Y	ERJ-XGNJ330Y	33	0.031	01005	.51	.159	.123	20000	.053
667-ERJ-XGNJ470Y	ERJ-XGNJ470Y	47	0.031	01005	.51	.159	.123	20000	.053
667-ERJ-XGNJ560Y	ERJ-XGNJ560Y	56	0.031	01005	.51	.159	.123	20000	.053
667-ERJ-XGNJ750Y	ERJ-XGNJ750Y	75	0.031	01005	.51	.159	.123	20000	.053
667-ERJ-XGNJ101Y	ERJ-XGNJ101Y	100	0.031	01005	.51	.159	.123	20000	.053
667-ERJ-XGNJ221Y	ERJ-XGNJ221Y	220	0.031	01005	.51	.159	.123	20000	.053
667-ERJ-XGNJ331Y	ERJ-XGNJ331Y	330	0.031	01005	.51	.159	.123	20000	.053
667-ERJ-XGNJ471Y	ERJ-XGNJ471Y	470	0.031	01005	.51	.159	.123	20000	.053
667-ERJ-XGNJ561Y	ERJ-XGNJ561Y	560	0.031	01005	.51	.159	.123	20000	.053
667-ERJ-XGNJ751Y	ERJ-XGNJ751Y	750	0.031	01005	.51	.159	.123	20000	.053
667-ERJ-XGNJ102Y	ERJ-XGNJ102Y	1.0K	0.031	01005	.51	.159	.123	20000	.053
667-ERJ-XGNJ222Y	ERJ-XGNJ222Y	2.2K	0.031	01005	.51	.159	.123	20000	.053
667-ERJ-XGNJ332Y	ERJ-XGNJ332Y	3.3K	0.031	01005	.51	.159	.123	20000	.053
667-ERJ-XGNJ472Y	ERJ-XGNJ472Y	4.7K	0.031	01005	.51	.159	.123	20000	.053
667-ERJ-XGNJ562Y	ERJ-XGNJ562Y	5.6K	0.031	01005	.51	.159	.123	20000	.053
667-ERJ-XGNJ752Y	ERJ-XGNJ752Y	7.5K	0.031	01005	.51	.159	.123	20000	.053
667-ERJ-XGNJ103Y	ERJ-XGNJ103Y	10K	0.031	01005	.51	.159	.123	20000	.053
667-ERJ-XGNJ223Y	ERJ-XGNJ223Y	22K	0.031	01005	.51	.159	.123	20000	.053
667-ERJ-XGNJ333Y	ERJ-XGNJ333Y	33K	0.031	01005	.51	.159	.123	20000	.053
667-ERJ-XGNJ473Y	ERJ-XGNJ473Y	47K	0.031	01005	.51	.159	.123	20000	.053
667-ERJ-XGNJ563Y	ERJ-XGNJ563Y	56K	0.031	01005	.51	.159	.123	20000	.053
667-ERJ-XGNJ753Y	ERJ-XGNJ753Y	75K	0.031	01005	.51	.159	.123	20000	.053
667-ERJ-XGNJ104Y	ERJ-XGNJ104Y	100K	0.031	01005	.51	.159	.123	20000	.053
667-ERJ-XGNJ224Y	ERJ-XGNJ224Y	220K	0.031	01005	.51	.159	.123	20000	.053
667-ERJ-XGNJ334Y	ERJ-XGNJ334Y	330K	0.031	01005	.51	.159	.123	20000	.053
667-ERJ-XGNJ474Y	ERJ-XGNJ474Y	470K	0.031	01005	.51	.159	.123	20000	.053
667-ERJ-XGNJ564Y	ERJ-XGNJ564Y	560K	0.031	01005	.51	.159	.123	20000	.053
667-ERJ-XGNJ754Y	ERJ-XGNJ754Y	750K	0.031	01005	.51	.159	.123	20000	.053
667-ERJ-XGNJ105Y	ERJ-XGNJ105Y	1M	0.031	01005	.51	.159	.123	20000	.053