

# PANASONIC High Power Chip Resistors

# Panasonic

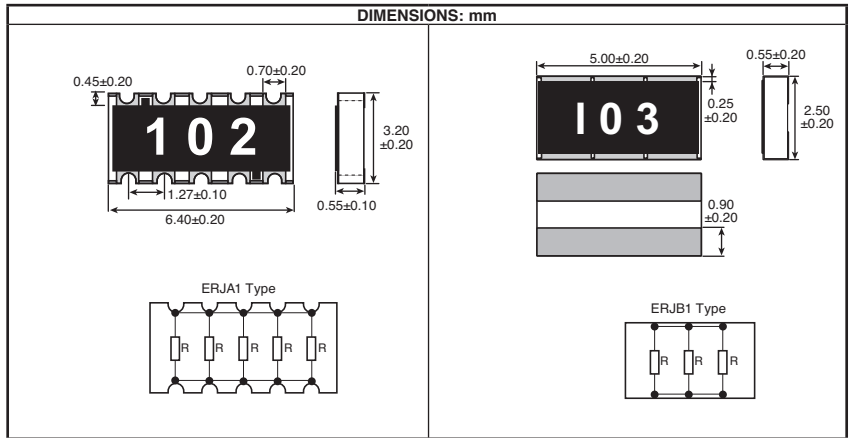
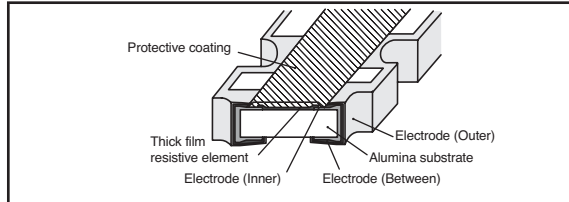
## ERJA1 AND ERJB1 SERIES WIDE TERMINAL TYPE

### Features:

- Small size and lightweight
- High reliability: Metal glaze thick film resistive element and three layers of electrodes
- Low Resistance Value
- Suitable for both reflow and flow soldering
- Operating Temperature Range: -55°C to +125°C

### Applications:

- Automotive electronics circuits including ECUs (electrical control unit), anti-lock braking systems and air-bag systems
- Current sensing for power supply circuits in a variety of equipment



For quantities greater than listed, call for quote.

MOUSER STOCK NO.	Panasonic Part No.	Value (Ω)	Power Rating (W)	Price Each			Reel Qty.	Price Per Piece
				1	100	500		
<b>ERJA1 - 1225 Case Size</b>								
667-ERJ-A1CJR01U	ERJ-A1CJR01U	0.01	1.33	1.43	.944	.772	4000	.422
667-ERJ-A1CJR015U	ERJ-A1CJR015U	0.015	1.33	1.43	.944	.772	4000	.422
667-ERJ-A1CJR018U	ERJ-A1CJR018U	0.018	1.33	1.43	.944	.772	4000	.422
667-ERJ-A1CJR022U	ERJ-A1CJR022U	0.022	1.33	1.43	.944	.772	4000	.422
667-ERJ-A1CJR027U	ERJ-A1CJR027U	0.027	1.33	1.43	.944	.772	4000	.422
667-ERJ-A1CJR033U	ERJ-A1CJR033U	0.033	1.33	1.43	.944	.772	4000	.422
667-ERJ-A1CJR039U	ERJ-A1CJR039U	0.039	1.33	1.43	.944	.772	4000	.422
667-ERJ-A1CJR047U	ERJ-A1CJR047U	0.047	1.33	1.43	.944	.772	4000	.422
667-ERJ-A1CJR056U	ERJ-A1CJR056U	0.056	1.33	1.43	.944	.772	4000	.422
667-ERJ-A1CJR062U	ERJ-A1CJR062U	0.062	1.33	1.43	.944	.772	4000	.422
667-ERJ-A1CJR068U	ERJ-A1CJR068U	0.068	1.33	1.43	.944	.772	4000	.422
667-ERJ-A1CJR082U	ERJ-A1CJR082U	0.082	1.33	1.43	.944	.772	4000	.422
667-ERJ-A1CJR10U	ERJ-A1CJR10U	0.10	1.33	1.43	.944	.772	4000	.422
667-ERJ-A1CJR11U	ERJ-A1CJR11U	0.11	1.33	1.43	.944	.772	4000	.422
667-ERJ-A1CJR12U	ERJ-A1CJR12U	0.12	1.33	1.43	.944	.772	4000	.422
667-ERJ-A1CJR13U	ERJ-A1CJR13U	0.13	1.33	1.43	.944	.772	4000	.422
667-ERJ-A1CJR15U	ERJ-A1CJR15U	0.15	1.33	1.43	.944	.772	4000	.422
667-ERJ-A1CJR16U	ERJ-A1CJR16U	0.16	1.33	1.43	.944	.772	4000	.422
667-ERJ-A1CJR18U	ERJ-A1CJR18U	0.18	1.33	1.43	.944	.772	4000	.422
667-ERJ-A1CJR20U	ERJ-A1CJR20U	0.20	1.33	1.43	.944	.772	4000	.422
667-ERJ-A1BJR22U	ERJ-A1BJR22U	0.22	1.33	1.33	.814	.66	4000	.36
667-ERJ-A1BJR24U	ERJ-A1BJR24U	0.24	1.33	1.33	.814	.66	4000	.36
667-ERJ-A1BJR27U	ERJ-A1BJR27U	0.27	1.33	1.33	.814	.66	4000	.36
667-ERJ-A1BJR30U	ERJ-A1BJR30U	0.30	1.33	1.33	.814	.66	4000	.36
667-ERJ-A1BJR33U	ERJ-A1BJR33U	0.33	1.33	1.33	.814	.66	4000	.36
667-ERJ-A1BJR36U	ERJ-A1BJR36U	0.36	1.33	1.33	.814	.66	4000	.36
667-ERJ-A1BJR39U	ERJ-A1BJR39U	0.39	1.33	1.33	.814	.66	4000	.36
667-ERJ-A1BJR43U	ERJ-A1BJR43U	0.43	1.33	1.33	.814	.66	4000	.36
667-ERJ-A1BJR47U	ERJ-A1BJR47U	0.47	1.33	1.33	.814	.66	4000	.36
667-ERJ-A1BJR51U	ERJ-A1BJR51U	0.51	1.33	1.33	.814	.66	4000	.36
667-ERJ-A1BJR56U	ERJ-A1BJR56U	0.56	1.33	1.33	.814	.66	4000	.36
667-ERJ-A1BJR62U	ERJ-A1BJR62U	0.62	1.33	1.33	.814	.66	4000	.36
667-ERJ-A1BJR68U	ERJ-A1BJR68U	0.68	1.33	1.33	.814	.66	4000	.36
667-ERJ-A1BJR75U	ERJ-A1BJR75U	0.75	1.33	1.33	.814	.66	4000	.36
667-ERJ-A1BJR82U	ERJ-A1BJR82U	0.82	1.33	1.33	.814	.66	4000	.36
667-ERJ-A1BJR91U	ERJ-A1BJR91U	0.91	1.33	1.33	.814	.66	4000	.36
667-ERJ-A1BJ1R0U	ERJ-A1BJ1R0U	1	1.33	1.33	.814	.66	4000	.36
667-ERJ-A1BJ1R1U	ERJ-A1BJ1R1U	1.1	1.33	1.33	.814	.66	4000	.36
667-ERJ-A1BJ1R2U	ERJ-A1BJ1R2U	1.2	1.33	1.33	.814	.66	4000	.36
667-ERJ-A1BJ1R3U	ERJ-A1BJ1R3U	1.3	1.33	1.33	.814	.66	4000	.36
667-ERJ-A1BJ1R5U	ERJ-A1BJ1R5U	1.5	1.33	1.33	.814	.66	4000	.36
667-ERJ-A1BJ1R6U	ERJ-A1BJ1R6U	1.6	1.33	1.33	.814	.66	4000	.36
667-ERJ-A1BJ1R8U	ERJ-A1BJ1R8U	1.8	1.33	1.33	.814	.66	4000	.36
667-ERJ-A1BJ2R0U	ERJ-A1BJ2R0U	2	1.33	1.33	.814	.66	4000	.36
667-ERJ-A1BJ2R2U	ERJ-A1BJ2R2U	2.2	1.33	1.33	.814	.66	4000	.36
667-ERJ-A1BJ2R4U	ERJ-A1BJ2R4U	2.4	1.33	1.33	.814	.66	4000	.36
667-ERJ-A1BJ2R7U	ERJ-A1BJ2R7U	2.7	1.33	1.33	.814	.66	4000	.36
667-ERJ-A1BJ3R0U	ERJ-A1BJ3R0U	3	1.33	1.33	.814	.66	4000	.36
667-ERJ-A1BJ3R3U	ERJ-A1BJ3R3U	3.3	1.33	1.33	.814	.66	4000	.36
667-ERJ-A1BJ3R6U	ERJ-A1BJ3R6U	3.6	1.33	1.33	.814	.66	4000	.36
667-ERJ-A1BJ3R9U	ERJ-A1BJ3R9U	3.9	1.33	1.33	.814	.66	4000	.36
667-ERJ-A1BJ4R3U	ERJ-A1BJ4R3U	4.3	1.33	1.33	.814	.66	4000	.36
667-ERJ-A1BJ4R7U	ERJ-A1BJ4R7U	4.7	1.33	1.33	.814	.66	4000	.36
667-ERJ-A1BJ5R1U	ERJ-A1BJ5R1U	5.1	1.33	1.33	.814	.66	4000	.36
667-ERJ-A1BJ5R6U	ERJ-A1BJ5R6U	5.6	1.33	1.33	.814	.66	4000	.36
667-ERJ-A1BJ6R2U	ERJ-A1BJ6R2U	6.2	1.33	1.33	.814	.66	4000	.36
667-ERJ-A1BJ6R8U	ERJ-A1BJ6R8U	6.8	1.33	1.33	.814	.66	4000	.36
667-ERJ-A1BJ7R5U	ERJ-A1BJ7R5U	7.5	1.33	1.33	.814	.66	4000	.36
667-ERJ-A1BJ8R2U	ERJ-A1BJ8R2U	8.2	1.33	1.33	.814	.66	4000	.36
667-ERJ-A1BJ9R1U	ERJ-A1BJ9R1U	9.1	1.33	1.33	.814	.66	4000	.36
667-ERJ-A1AJ100U	ERJ-A1AJ100U	10	1.33	.88	.618	.53	4000	.427
667-ERJ-A1AJ471U	ERJ-A1AJ471U	470	1.33	.88	.618	.53	4000	.427
<b>ERJB1 - 2010 Case Size</b>								
667-ERJ-B1CJR01U	ERJ-B1CJR01U	0.01	1	1.11	.686	.556	5000	.258
667-ERJ-B1CJR012U	ERJ-B1CJR012U	0.012	1	1.11	.686	.556	5000	.258
667-ERJ-B1CJR015U	ERJ-B1CJR015U	0.015	1	1.11	.686	.556	5000	.258
667-ERJ-B1CJR018U	ERJ-B1CJR018U	0.018	1	1.11	.686	.556	5000	.258
667-ERJ-B1CJR022U	ERJ-B1CJR022U	0.022	1	1.11	.686	.556	5000	.258
667-ERJ-B1CJR027U	ERJ-B1CJR027U	0.027	1	1.11	.686	.556	5000	.258

For quantities greater than listed, call for quote.

MOUSER STOCK NO.	Panasonic Part No.	Value (Ω)	Power Rating (W)	Price Each			Reel Qty.	Price Per Piece
				1	100	500		
<b>ERJB1 - 2010 Case Size (Cont.)</b>								
667-ERJ-B1CJR033U	ERJ-B1CJR033U	0.033	1	1.11	.686	.556	5000	.258
667-ERJ-B1CJR039U	ERJ-B1CJR039U	0.039	1	1.11	.686	.556	5000	.258
667-ERJ-B1CJR047U	ERJ-B1CJR047U	0.047	1	1.11	.686	.556	5000	.258
667-ERJ-B1CJR056U	ERJ-B1CJR056U	0.056	1	1.11	.686	.556	5000	.258
667-ERJ-B1CJR062U	ERJ-B1CJR062U	0.062	1	1.11	.686	.556	5000	.258
667-ERJ-B1CJR068U	ERJ-B1CJR068U	0.068	1	1.11	.686	.556	5000	.258
667-ERJ-B1CJR082U	ERJ-B1CJR082U	0.082	1	1.11	.686	.556	5000	.258
667-ERJ-B1CJR10U	ERJ-B1CJR10U	0.10	1	1.11	.686	.556	5000	.258
667-ERJ-B1CJR11U	ERJ-B1CJR11U	0.11	1	1.11	.686	.556	5000	.258
667-ERJ-B1CJR12U	ERJ-B1CJR12U	0.12	1	1.11	.686	.556	5000	.258
667-ERJ-B1CJR13U	ERJ-B1CJR13U	0.13	1	1.11	.686	.556	5000	.258
667-ERJ-B1CJR15U	ERJ-B1CJR15U	0.15	1	1.11	.686	.556	5000	.258
667-ERJ-B1CJR16U	ERJ-B1CJR16U	0.16	1	1.11	.686	.556	5000	.258
667-ERJ-B1CJR18U	ERJ-B1CJR18U	0.18	1	1.11	.686	.556	5000	.258
667-ERJ-B1CJR20U	ERJ-B1CJR20U	0.20	1	1.11	.686	.556	5000	.258
667-ERJ-B1BJR22U	ERJ-B1BJR22U	0.22	1	.92	.531	.275	5000	.203
667-ERJ-B1BJR24U	ERJ-B1BJR24U	0.24	1	.92	.531	.275	5000	.203
667-ERJ-B1BJR27U	ERJ-B1BJR27U	0.27	1	.92	.531	.275	5000	.203
667-ERJ-B1BJR30U	ERJ-B1BJR30U	0.30	1	.92	.531	.275	5000	.203
667-ERJ-B1BJR33U	ERJ-B1BJR33U	0.33	1	.92	.531	.275	5000	.203
667-ERJ-B1BJR36U	ERJ-B1BJR36U	0.36	1	.92	.531	.275	5000	.203
667-ERJ-B1BJR39U	ERJ-B1BJR39U	0.39	1	.92	.531	.275	5000	.203
667-ERJ-B1BJR43U	ERJ-B1BJR43U	0.43	1	.92	.531	.275	5000	.203
667-ERJ-B1BJR47U	ERJ-B1BJR47U	0.47	1	.92	.531	.275	5000	.203
667-ERJ-B1BJR51U	ERJ-B1BJR51U	0.51	1	.92	.531	.275	5000	.203
667-ERJ-B1BJR56U	ERJ-B1BJR56U	0.56	1	.92	.531	.275	5000	.203
667-ERJ-B1BJR62U	ERJ-B1BJR62U	0.62	1	.92	.531	.275	5000	.203
667-ERJ-B1BJR68U	ERJ-B1BJR68U	0.68	1	.92	.531	.275	5000	.203
667-ERJ-B1BJR75U	ERJ-B1BJR75U	0.75	1	.92	.531	.275	5000	.203
667-ERJ-B1BJR82U	ERJ-B1BJR82U	0.82	1	.92	.531	.275	5000	.203
667-ERJ-B1BJR91U	ERJ-B1BJR91U	0.91	1	.92	.531	.275	5000	.203
667-ERJ-B1BJ1R0U	ERJ-B1BJ1R0U	1	1	.92	.531	.275	5000	.203
667-ERJ-B1BJ1R1U	ERJ-B1BJ1R1U	1.1	1	.92	.531	.275	5000	.203
667-ERJ-B1BJ1R2U	ERJ-B1BJ1R2U	1.2	1	.92	.531	.275	5000	.203
667-ERJ-B1BJ1R3U	ERJ-B1BJ1R3U	1.3	1	.92	.531	.275	5000	.203
667-ERJ-B1BJ1R5U	ERJ-B1BJ1R5U	1.5	1	.92	.531	.275	5000	.203
667-ERJ-B1BJ1R6U	ERJ-B1BJ1R6U	1.6	1	.92	.531	.275	5	