

CADDOCK Precision Resistors & Voltage Divider Networks



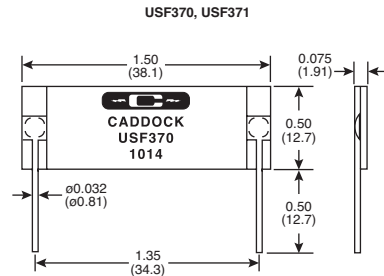
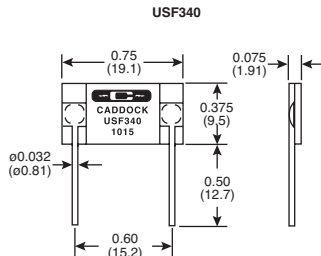
CADDOK USF300 SERIES: ULTRA-PRECISION LOW TEMPERATURE COEFFICIENT FILM RESISTORS

DIMENSIONS: in. (mm)

- Features:**
- Outstanding Long Term Stability
 - Thermally Efficient Ceramic Sandwich Construction
 - Voltage Coefficient: USF371, USF370 9 Meg and higher, 0.02 ppm/Volt (max.)
 - Operating Temperature Range: -40°C to +85°C



RoHS Compliant



For quantities greater than listed, call for quote.

MOUSER STOCK NO.	Caddock Part No.	Resistance	Tolerance (%)	Temperature Coefficient	Max. Continuous Voltage Rating	Power Rating (+85°C)	Price Each		
							1	10	25
684-USF340-10K	USF340-10.0K-0.01%-5ppm	10.0K	0.01%	5ppm°C	Sqrt (P*R)	0.33 W	11.67	10.00	9.33
684-USF340-100K	USF340-100K-0.01%-5ppm	100K	0.01%	5ppm°C	Sqrt (P*R)	0.33 W	13.03	11.16	10.41
684-USF340-1M	USF340-1.00M-0.01%-5ppm	1.00M	0.01%	5ppm°C	300 Volts	0.33 W	19.37	16.59	15.49
684-USF340-10M	USF340-10.0M-0.01%-5ppm	10.0M	0.01%	5ppm°C	300 Volts	0.33 W	19.37	16.59	15.49
684-USF370-1M	USF370-1.00M-0.01%-5ppm	1.00M	0.01%	5ppm°C	Sqrt (P*R)	0.75 W	26.17	22.44	20.93
684-USF370-2M	USF370-2.00M-0.01%-5ppm	2.00M	0.01%	5ppm°C	Sqrt (P*R)	0.75 W	32.60	27.95	26.09
684-USF370-5M	USF370-5.00M-0.01%-5ppm	5.00M	0.01%	5ppm°C	1400 Volts	0.75 W	34.77	29.80	27.80
684-USF370-9.90M	USF370-9.90M-0.01%-5ppm	9.90M	0.01%	5ppm°C	1400 Volts	0.75 W	34.77	29.80	27.80
684-USF370-9.99M	USF370-9.99M-0.01%-5ppm	9.99M	0.01%	5ppm°C	1400 Volts	0.75 W	34.77	29.80	27.80
684-USF370-10M	USF370-10.0M-0.01%-5ppm	10.0M	0.01%	5ppm°C	1400 Volts	0.75 W	34.77	31.85	29.05
684-USF371-20M	USF371-20.0M-0.01%-5ppm	20.0M	0.01%	5ppm°C	2500 Volts	0.75 W	38.17	32.73	30.53

CADDOK 1776 SERIES: PRECISION DECADE RESISTOR VOLTAGE DIVIDER NETWORKS

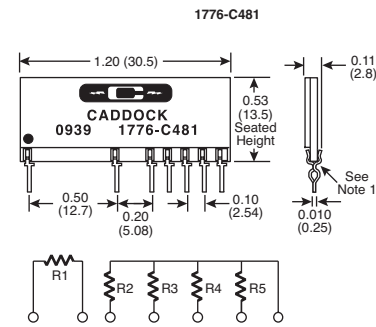
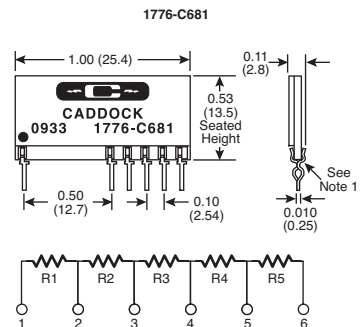
DIMENSIONS: in. (mm)

- Features:**
- Outstanding Long Term Stability
 - Voltage Division Ratios: 10:1, 100:1, 1,000:1, 10,000:1
 - Operating Temperature Range: -40°C to +85°C

Note 1: Lead Form Detail provides interference in the circuit board hole to achieve a vertical mount of the device. Recommended circuit board hole is nominally 0.039 inch (1.00mm).



RoHS Compliant



For quantities greater than listed, call for quote.

MOUSER STOCK NO.	Caddock Part No.	R1	R2	R3	R4	R5	Ratio Tolerance	Ratio Temperature Coefficient	Max. Continuous Voltage Rating	Price Each		
										1	10	25
684-1776-C681	1776-C681	9 M	900K	90K	9K	1K	0.05%	10ppm°C	1200 Volts	13.63	11.68	10.89
684-1776-C481	1776-C481	10 M	1.111M	101.01K	10.01K	1.0001K	0.05%	10ppm°C	1200 Volts	14.70	12.60	11.76

CADDOK HVD5 SERIES: ULTRA-PRECISION VOLTAGE DIVIDERS

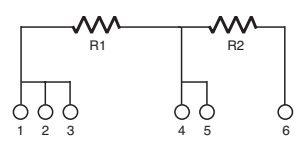
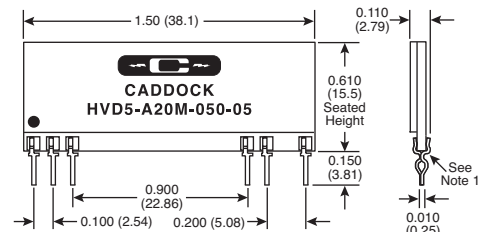
DIMENSIONS: in. (mm)

- Features:**
- Outstanding Long Term Stability
 - Ratio Voltage Coefficient: 0.02 ppm/Volt
 - Operating Temperature Range: -40°C to +85°C

Note 1: Lead Form Detail provides interference in the circuit board hole to achieve a vertical mount of the device. Recommended circuit board hole is nominally 0.039 inch (1.00mm).



RoHS Compliant



For quantities greater than listed, call for quote.

MOUSER STOCK NO.	Caddock Part No.	R1	R2	Divider Ratio	Ratio Tolerance	Ratio Temperature Coefficient	Max. Continuous Voltage Rating	Price Each		
								1	10	25
684-HVD5-A20M	HVD5-A20M-050-05	19.98 M	20K	1,000:1	0.05%	5ppm°C	2500 Volts	39.63	33.99	31.70
684-HVD5-B20M	HVD5-B20M-050-05	19.8 M	200K	100:1	0.05%	5ppm°C	2500 Volts	39.63	33.99	31.70