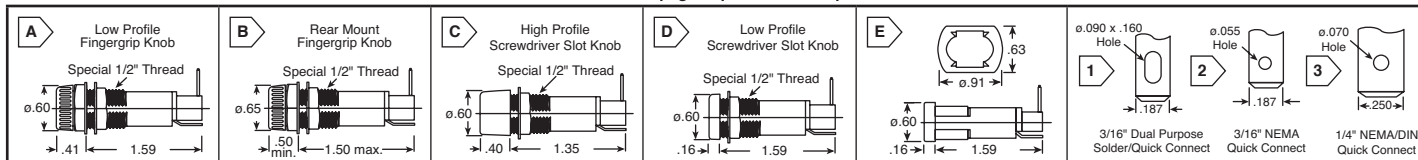


LITTELFUSE Fuse Holders



RoHS Compliant This page of product is compliant.



LITTELFUSE INTERNATIONAL SHOCK-SAFE FUSE HOLDERS

DIMENSIONS: in.

For 5mm x 20mm Fuses, Right Angle Terminals

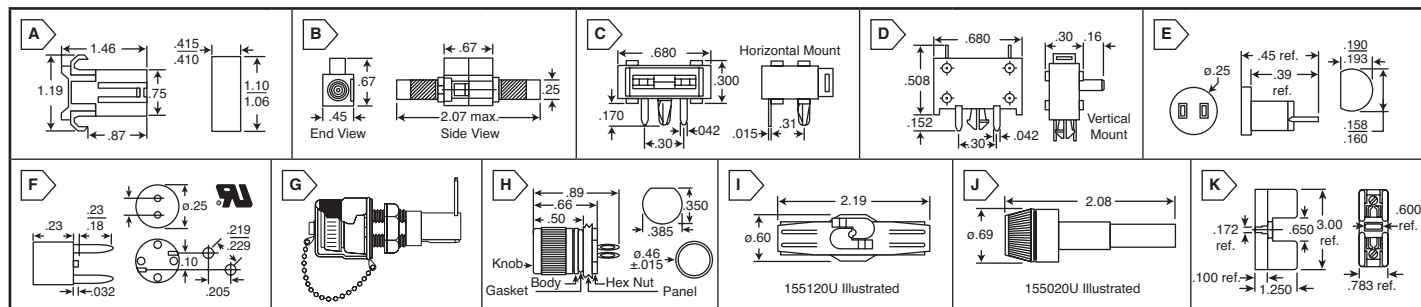


For 3ag Fuses, Right Angle Terminals

For quantities greater than listed, call for quote.

MOUSER STOCK NO.	Littelfuse Part No.	Fig.	Terminal Type	Size	Price Each			
					1	10	100	250
576-03455LF1H	03455LF1H	A	1	3/16"	2.80	2.68	2.36	2.02
576-03455LF3H	03455LF3H	A	2	3/16"	2.70	2.60	2.53	2.38
576-03455LF7H	03455LF7H	A	3	1/4"	2.70	2.60	2.53	2.38
576-03455RF1H	03455RF1H	B	1	3/16"	2.70	2.60	2.53	2.38
576-03455RF3H	03455RF3H	B	2	3/16"	2.95	2.92	2.66	2.50
576-03455RF7H	03455RF7H	B	3	1/4"	2.95	2.80	2.66	2.50
576-03455HS1H	03455HS1H	C	1	3/16"	2.80	2.68	2.36	2.02
576-03455HS3H	03455HS3H	C	2	3/16"	2.70	2.60	2.53	2.38
576-03455HS7H	03455HS7H	C	3	1/4"	2.70	2.60	2.53	2.38
576-03455LS1H	03455LS1H	D	1	3/16"	2.80	2.68	2.36	2.02
576-03455LS3H	03455LS3H	D	2	3/16"	2.70	2.60	2.53	2.38
576-03455LS7H	03455LS7H	D	3	1/4"	2.70	2.60	2.53	2.38

MOUSER STOCK NO.	Littelfuse Part No.	Fig.	Terminal Type	Size	Price Each			
					1	10	100	250
576-03453LF1H	03453LF1H	A	1	3/16"	3.01	2.86	2.10	1.89
576-03453LF3H	03453LF3H	A	2	3/16"	2.49	2.36	2.24	2.11
576-03453LF7H	03453LF7H	A	3	1/4"	2.49	2.36	2.24	2.11
576-03453RF1H	03453RF1H	B	1	3/16"	2.49	2.36	2.24	2.11
576-03453RF3H	03453RF3H	B	2	3/16"	2.64	2.51	2.38	2.24
576-03453RF7H	03453RF7H	B	3	1/4"	2.64	2.51	2.38	2.24
576-03453HS1H	03453HS1H	C	1	3/16"	3.01	2.86	2.10	1.89
576-03453HS3H	03453HS3H	C	2	3/16"	2.49	2.36	2.24	2.11
576-03453HS7H	03453HS7H	C	3	1/4"	2.49	2.36	2.24	2.11
576-03453LS1H	03453LS1H	D	1	3/16"	3.01	2.86	2.10	1.89
576-03453LS3H	03453LS3H	D	2	3/16"	2.49	2.36	2.24	2.11
576-03453LS7H	03453LS7H	D	3	1/4"	2.49	2.36	2.24	2.11
576-03453QS3H	03453QS3H	E	2	3/16"	2.64	2.51	2.38	2.24
576-03453QS7H	03453QS7H	E	3	1/4"	2.64	2.51	2.38	2.24



LITTELFUSE FUSE HOLDERS

DIMENSIONS: in.

In-Line Fuseholder for ATO® Fuses

- Ambient temperature: -40°C to +85°C
- Body: Black thermoplastic
- Terminals: Brass, tin plated, snap into body

For quantities greater than listed, call for quote.

MOUSER STOCK NO.	Littelfuse Part No.	Fig.	Description	Price Each			
				1	10	100	250
576-01550300Z	01550300Z	A	8" 14AWG Wire	2.20	2.05	1.57	1.38
576-01550400Z	01550400Z	A	8" 10AWG Wire	2.55	2.36	1.83	1.69

In-Line Easy Crimp Fuseholder for Mini Fuses

- Ambient temperature: -40°C to +105°C
- Body: Black thermoplastic
- Terminals: Copper alloy, tin plated

576-01530002H	01530002H	B	Accepts 16-22AWG Stranded	1.52	1.39	1.11	.94
576-01530003H	01530003H	B	Accepts 10-14AWG Stranded	.96	.91	.875	.823

PC Board Mount Fuse Holders for Mini Fuses

- Ambient Temperature -40°C to +85°C
- Body: Black Thermoplastic, Terminals: Copper Alloy, Tin Plated
- Compatibility: Standard 0.62" PCB Thickness

576-01530007Z	01530007Z	C	Horizontal Mount	2.59	2.42	1.81	1.71
576-01530009Z	01530009Z	D	Stackable Vertical Mount	2.60	2.41	1.83	1.67

Micro Fuse/PICO II 281 Series PCB Fuse Holder

- Ambient Temperature -40°C to +100°C
- Terminals: Silver plated, Copper Alloy

576-02810001H	02810001H	E	Blk Thermoplastic Chassis Mt	1.61	1.53	1.45	1.37
576-02810005H	02810005H	F	White Thermoplastic, PCB Mt	2.15	1.96	1.45	1.36
576-02810007H	02810007H	-	Wht Thermoplastic, R/A, PCB Mt	2.15	1.96	1.45	1.36

Panel Mount RF Shielded/Watertight Holders for 3AG Fuses

576-03400267Z	03400267Z	G	3AG Mill	32.15	30.54	28.94	27.18
576-03400312Z	03400312Z	G	Shock Safe	23.93	22.74	21.54	20.34
576-03400313Z	03400313Z	G	Shock Safe	23.93	20.94	16.75	16.15

LITTELFUSE LPHV SERIES 1000DC POWER-SAFE "DEAD FRONT" HOLDERS

DIMENSIONS: in.

- 1000VDC rating when used with Littelfuse SPF or FLU fuse series
- Compact design
- Mountable on 35mm Din Rail

For quantities greater than listed, call for quote.

MOUSER STOCK NO.	Littelfuse Part No.	No. of Poles	Amp Rating	Voltage Rating	Price Each			
					1	10	100	250
576-LPHV0001Z	LPHV0001Z	1	30	1000VDC	22.99	18.28	14.63	14.10
576-LPHV0003Z	LPHV0003Z	3	30	1000VDC	74.17	70.86	62.72	59.88
576-LPHV0004Z	LPHV0004Z	4	30	1000VDC	94.07	91.12	83.62	79.43

