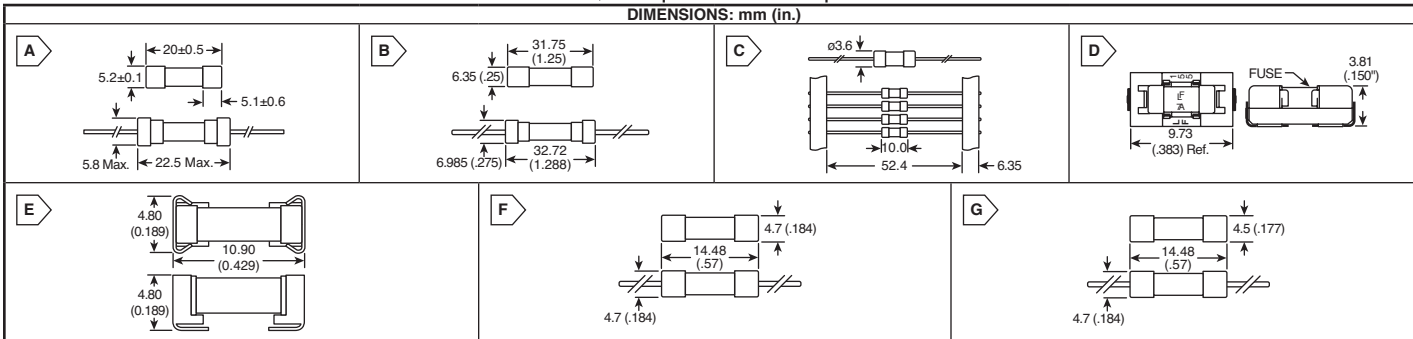


# LITTELFUSE Fuses



RoHS Compliant This product is RoHS compliant.  
DIMENSIONS: mm (in.)



Littelfuse Fuses & Fuse Holders

## AXIAL LEAD AND CARTRIDGE FUSES

For quantities greater than listed, call for quote.

MOUSER STOCK NO.	Littelfuse Part No.	Fig.	Amp (A)	Volts (V)	Price Each			
					1	10	100	250
<b>233 Series Medium-Acting Fuses</b>								
576-023302.5MXP	023302.5MXP	A	2.5	125	.71	.66	.54	.50
576-023306.MXP	023306.MXP	A	6	125	.71	.66	.54	.50
<b>234 Series Medium-Acting Fuses</b>								
576-02341.25MXP	02341.25MXP	A	1.25	250	.77	.72	.59	.55
576-023402.5MXP	023402.5MXP	A	2.5	250	.77	.72	.59	.55
576-0234003.MXP	0234003.MXP	A	3	250	.77	.72	.59	.55
576-02343.15MXP	02343.15MXP	A	3.15	250	.77	.72	.59	.55
<b>505 Series Fast-Acting Fuses</b>								
576-0505010.MXP	0505010.MXP	B	10	450	3.53	3.13	2.50	2.22
576-0505012.MXP	0505012.MXP	B	12	450	3.53	3.13	2.50	2.22
576-0505015.MXP	0505015.MXP	B	15	500	3.49	3.26	2.70	2.47
576-0505016.MXP	0505016.MXP	B	16	500	3.32	2.60	2.54	2.35
576-0505020.MXP	0505020.MXP	B	20	500	3.32	2.60	2.54	2.35
576-0505025.MXP	0505025.MXP	B	25	500	4.03	3.80	3.16	2.90
576-0505030.MXP	0505030.MXP	B	30	500	4.03	3.80	3.16	2.90
576-0505030.MXEP	0505030.MXEP	B	30	500	5.36	5.11	3.87	3.44
<b>874 Series Fast-Acting Fuses</b>								
576-0874.100MXP	0874.100MXP	C	.100	250	1.69	1.65	1.60	1.57
576-0874.200MXP	0874.200MXP	C	.200	250	1.69	1.65	1.60	1.57
576-0874.250MXP	0874.250MXP	C	.250	250	1.69	1.65	1.60	1.57
576-0874.400MXP	0874.400MXP	C	.400	250	1.69	1.65	1.60	1.57
576-0874.500MXP	0874.500MXP	C	.500	250	1.29	1.25	1.23	1.21
576-0874.600MXP	0874.600MXP	C	.600	250	1.29	1.25	1.23	1.21
576-0874.750MXP	0874.750MXP	C	.750	250	1.29	1.25	1.23	1.21
576-0874001.MXEP	0874001.MXEP	C	1	250	1.20	1.17	1.15	1.13
576-0874004.MXEP	0874004.MXEP	C	4	250	1.20	1.17	1.15	1.13
576-0874005.MXEP	0874005.MXEP	C	5	250	1.20	1.17	1.15	1.13
576-0874006.MXEP	0874006.MXEP	C	6	250	1.20	1.17	1.15	1.13
576-0874007.MXEP	0874007.MXEP	C	7	250	1.20	1.17	1.15	1.13
576-0874008.MXEP	0874008.MXEP	C	8	250	1.20	1.17	1.15	1.13
576-087401.5MXEP	087401.5MXEP	C	1.5	250	1.20	1.17	1.15	1.13
576-087401.6MXEP	087401.6MXEP	C	1.6	250	1.20	1.17	1.15	1.13
576-087402.5MXEP	087402.5MXEP	C	2.5	250	1.20	1.17	1.15	1.13
576-087406.3MXEP	087406.3MXEP	C	6.3	250	1.20	1.17	1.15	1.13
576-08743.15MXEP	08743.15MXEP	C	3.15	250	1.20	1.17	1.15	1.13
576-0874010.MXEP	0874010.MXEP	C	10	250	1.20	1.17	1.15	1.13
576-0874002.MXEP	0874002.MXEP	C	2	250	1.20	1.17	1.15	1.13
<b>876 Series Fast-Acting Fuses</b>								
576-0876002.MXEP	0876002.MXEP	C	2	250	.51	.48	.46	.43
576-0876004.MXEP	0876004.MXEP	C	4	250	.51	.48	.46	.43
576-0876005.MXEP	0876005.MXEP	C	5	250	.51	.48	.46	.43
576-087601.6MXEP	087601.6MXEP	C	1.6	250	.51	.48	.46	.43
576-0876.125MXP	0876.125MXP	C	.125	250	.93	.88	.84	.79
576-0876.160MXP	0876.160MXP	C	.160	250	.93	.88	.84	.79
576-0876.250MXP	0876.250MXP	C	.250	250	.93	.88	.84	.79
576-0876.630MXP	0876.630MXP	C	.630	250	.51	.48	.46	.43

## 875 AND 877 SERIES SLO-BLO PIGTAIL FUSES

- Features:
- Slo-Blo ceramic body fuse in compact package
  - 3.6x10mm size axial
  - Lead format

For quantities greater than listed, call for quote.

MOUSER STOCK NO.	Littelfuse Part No.	Fig.	Amp (A)	Volts (V)	Price Each			
					1	10	100	250
<b>875 Series</b>								
576-0875.100MXP	0875.100MXP	C	.1	250	2.23	2.10	1.74	1.58
576-0875.125MXP	0875.125MXP	C	.125	250	2.23	2.10	1.74	1.58
576-0875.200MXP	0875.200MXP	C	.2	250	2.23	2.10	1.74	1.58
576-0875.250MXP	0875.250MXP	C	.25	250	2.23	2.10	1.74	1.58
576-0875.300MXP	0875.300MXP	C	.3	250	2.23	2.10	1.74	1.58
576-0875.400MXP	0875.400MXP	C	.4	250	2.23	2.10	1.74	1.58
576-0875.500MXP	0875.500MXP	C	.5	250	1.81	1.67	1.37	1.27
576-0875.600MXP	0875.600MXP	C	.6	250	1.81	1.67	1.37	1.27
576-0875.800MXP	0875.800MXP	C	.8	250	1.81	1.67	1.37	1.27
576-0875001.MXEP	0875001.MXEP	C	1	250	1.69	1.57	1.32	1.19
576-087501.5MXEP	087501.5MXEP	C	1.5	250	1.69	1.57	1.32	1.19
576-087501.6MXEP	087501.6MXEP	C	1.6	250	1.69	1.57	1.32	1.19
576-0875002.MXEP	0875002.MXEP	C	2	250	1.69	1.57	1.32	1.19
576-087502.5MXEP	087502.5MXEP	C	2.5	250	1.69	1.57	1.32	1.19
576-0875003.MXEP	0875003.MXEP	C	3	250	1.69	1.57	1.32	1.19
576-0875004.MXEP	0875004.MXEP	C	4	250	1.69	1.57	1.32	1.19
576-0875005.MXEP	0875005.MXEP	C	5	250	1.69	1.57	1.32	1.19
<b>877 Series</b>								
576-0877002.MXEP	0877002.MXEP	C	2	250	1.20	1.14	.90	.82
576-08773.15MXEP	08773.15MXEP	C	3.15	250	1.20	1.14	.90	.82
576-0877004.MXEP	0877004.MXEP	C	4	250	1.20	1.14	.90	.82
576-087706.3MXEP	087706.3MXEP	C	6.3	250	1.20	1.14	.90	.82

## SMF OMNI-BLOK® FUSE HOLDER WITH FUSES

For quantities greater than listed, call for quote.

MOUSER STOCK NO.	Littelfuse Part No.	Fig.	Amp (A)	Volts (V)	Price Each			
					1	10	100	250
<b>154 Series-Very Fast Acting Fuses</b>								
576-0154.062DR	0154.062DR	D	.062	125	2.56	2.40	2.10	1.90
576-0154.125DR	0154.125DR	D	.125	125	2.56	2.40	2.10	1.90
576-0154.250DR	0154.250DR	D	.25	125	2.43	2.25	2.02	1.80
576-0154.500DR	0154.500DR	D	.5	125	2.43	2.25	2.02	1.80
576-0154.750DR	0154.750DR	D	.75	125	2.10	1.70	1.65	1.50
576-0154001.DR	0154001.DR	D	1	125	2.10	1.95	1.65	1.50
576-015401.5DR	015401.5DR	D	1.5	125	2.10	1.95	1.65	1.50
576-0154002.DR	0154002.DR	D	2	125	2.10	1.70	1.65	1.50
576-015402.5DR	015402.5DR	D	2.5	125	2.10	1.70	1.65	1.50
576-0154003.DR	0154003.DR	D	3	125	2.10	1.95	1.65	1.50
576-015403.5DR	015403.5DR	D	3.5	125	2.10	1.95	1.65	1.50
576-0154004.DR	0154004.DR	D	4	125	2.10	1.70	1.65	1.50
576-0154005.DR	0154005.DR	D	5	125	2.10	1.95	1.65	1.50
576-015406.3DR	015406.3DR	D	6.3	125	2.10	1.95	1.65	1.50
576-0154007.DR	0154007.DR	D	7	125	2.10	1.95	1.65	1.50
576-0154008.DR	0154008.DR	D	8	125	2.10	1.70	1.65	1.50
576-0154010.DR	0154010.DR	D	10	125	2.18	2.06	1.67	1.56
<b>154T Series- SLO-BLO® Fuses</b>								
576-0154.375DRT	0154.375DRT	D	.375	125	3.04	2.82	2.70	2.33
576-0154.500DRT	0154.500DRT	D	.5	125	3.04	2.82	2.70	2.33
576-0154.750DRT	0154.750DRT	D	.75	125	2.65	2.53	2.10	1.90
576-0154001.DRT	0154001.DRT	D	1	125	2.65	2.53	2.10	1.90
576-015401.5DRT	015401.5DRT	D	1.5	125	2.65	2.53	2.10	1.90
576-0154002.DRT	0154002.DRT	D	2	125	2.65	2.53	2.10	1.90
576-015402.5DRT	015402.5DRT	D	2.5	125	2.65	2.53	2.10	1.90
576-0154003.DRT	0154003.DRT	D	3	125	2.65	2.53	2.10	1.90
576-015403.5DRT	015403.5DRT	D	3.5	125	2.65	2.53	2.10	1.90
576-0154004.DRT	0154004.DRT	D	4	125	2.65	2.53	2.10	1.90
576-0154005.DRT	0154005.DRT	D	5	125	2.65	2.53	2.10	1.90

## 160 SERIES - FUSE AND CLIP ASSEMBLY

- Features:
- Come supplied with Littelfuse 443 Series Time-Lag 250V Nano2® Fuse

For quantities greater than listed, call for quote.

MOUSER STOCK NO.	Littelfuse Part No.	Fig.	Amp (A)	Volts (V)	Price Each			
					1	10	100	250
576-0160.500MR	0160.500MR	E	.5	250	2.25	2.12	2.02	1.91
576-0160.750MR	0160.750MR	E	.75	250	2.25	2.12	2.02	1.91
576-0160001.MR	0160001.MR	E	1	250	2.25	2.12	2.02	1.91
576-0160002.MR	0160002.MR	E	2	250	2.25	2.12	2.02	1.91
576-0160003.MR	0160003.MR	E	3	250	2.25	2.12	2.02	1.91
576-0160004.MR	0160004.MR	E	4	250	2.25	2.12	2.02	1.91
576-0160005.MR	0160005.MR	E	5	250	2.25	2.12	2.02	1.91
576-016001.5MR	016001.5MR	E	1.5	250	2.25	2.12	2.02	1.91