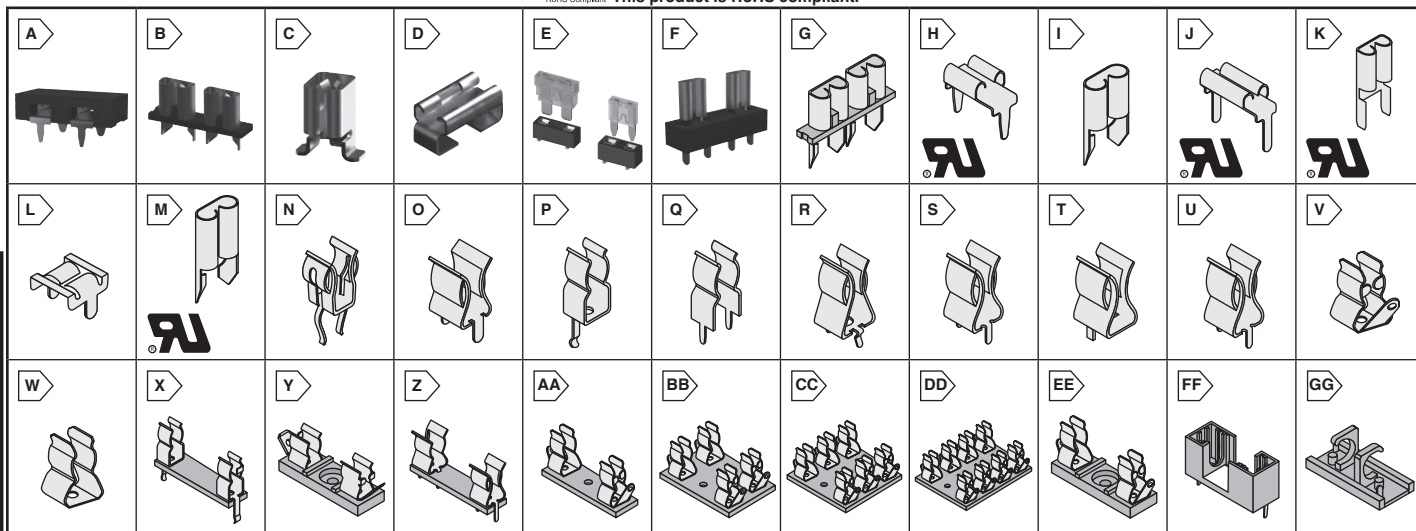


KEYSTONE Fuse Holders, Fuse Clips and Blocks



RoHS Compliant This product is RoHS compliant.



Keystone Fuses & Fuse Holders

KEYSTONE BLADE FUSE HOLDERS AND CLIPS

• Thru hole PC mountable, maintains position during wave soldering • Fuse holder fully insulates clips to protect fuse from shorting

PRODUCT NEW

For quantities greater than listed, call for quote.

MOUSER STOCK NO.	Keystone Part No.	Fig.	Mount Type	Fuse Size	Description	Price Each			
						1	100	500	1000
534-3550-2	3550-2	A	Horizontal	ATO, ATC series	Standard "auto" blade fuse holder	.72	.65	.619	.587
534-3549-2	3549-2	-	Horizontal	297/299 series, ATM series	Mini "auto" blade fuse holder	.70	.619	.598	.567
534-3522-3	3522-3	B	Vertical	ATO, ATC series	Standard "auto" blade fuse holder	.78	.70	.67	.64
534-3563	3563	-	Vertical	MIN, ATM series	Mini SMT "auto" blade fuse clip	.24	.18	.11	.09
534-3586	3586	C	Vertical	Mini: MIN, ATM series STD: ATO, ATC series Low profile: 891, ATM-LP series	Mini/standard/low profile SMT "auto" blade fuse clip	.18	.13	.10	.09
534-3569	3569	D	Horizontal	MIN, ATM series	Mini SMT "auto" blade fuse clip	.35	.27	.24	.22
534-3588	3588	E	Vertical	MIN, ATM series	Mini SMT "auto" blade fuse holder	.88	.76	.57	.52
534-3587	3587	E	Vertical	STD: ATO, ATC series Low profile: 891, ATM-LP series	Standard/low profile SMT "auto" blade fuse holder, 2 in 1	.88	.76	.57	.52
534-3557-2	3557-2	-	Vertical	STD: ATO, ATC series Low profile: 891, ATM-LP series	Standard/low profile THM "auto" blade fuse holder, 2 in 1	.92	.798	.598	.546
534-3568	3568	-	Vertical	MIN, ATM series	Mini THM "auto" blade fuse holder	.92	.798	.598	.546
534-3544-2	3544-2	F	Vertical	MIN, ATM series	Mini "auto" blade fuse holder	.78	.44	.40	.35

KEYSTONE FUSE HOLDERS AND CLIPS

PC Fuse Holders and Clips

• Auto blade holders and clips are compatible with Littelfuse
 .205" x .025" standard and .110" x .032" mini blade fuses, suitable for 15 amp applications
 .312" x .032" maxi blade fuses, suitable for 30 amp applications

For quantities greater than listed, call for quote.

Fig.	Mount Type	Fuse Size	Description	1	100	500	1000	
534-3522-2	G	Vertical	.205" x .025"	Standard blade fuse holder	.74	.42	.39	.35
534-3550	H	Horizontal	.205" x .025"	Standard blade horiz. clip	.65	.514	.409	.336
534-3546	H	Horizontal	.205" x .020"	Standard blade horiz. clip	.62	.35	.301	.187
534-3522	I	Vertical	.205" x .025"	Standard blade vertical clip	.20	.10	.07	.06
534-3544-2	G	Vertical	.110" x .032"	Mini blade fuse holder	.78	.44	.40	.35
534-3549	J	Horizontal	.110" x .032"	Mini blade horizontal clip	.60	.30	.24	.18
534-3545	J	Horizontal	.110" x .020"	Mini blade horizontal clip	.58	.336	.314	.21
534-3544	K	Vertical	.110" x .032"	Mini blade vertical clip	.20	.12	.09	.08
534-3547	H	Horizontal	.250" x .032"	Standard blade horiz. clip	.60	.32	.26	.18
534-3564	L	Vertical	.110" x .032"	Mini blade vertical clip	.23	.125	.109	.097
534-3534	K	Vertical	.110" x .020"	Mini blade vertical clip	.19	.136	.105	.084
534-3555	M	Vertical	.312" x .032"	Maxi blade vertical clip	.15	.11	.104	.093

PC Fuse Clips

• Snap-fit and press fit designs for wave soldering • Rivet mount design • Low contact resistance
 • Economical and easy to assemble • Low profile space saving design • Rivet mount design with solder lugs

For quantities greater than listed, call for quote.

Fig.	Mount Type	Fuse Size	Description	1	100	500	1000	
534-3521	N	Press	5mm	.016" Tinned brass	.16	.09	.08	.07
534-3517	O	Press	5mm	.02" Tinned brass	.14	.12	.10	.08
534-3520	P	Rivet	5mm	.016" Tinned brass	.21	.12	.08	.07
534-3519	Q	Press	5mm	.016" Tinned brass	.13	.09	.07	.06
534-3513	R	Snap-In	1/4"	.02" Tinned brass	.23	.20	.14	.12
534-3529	S	Press	1/4"	.02" Tinned brass	.16	.14	.10	.09
534-3530	T	Press	1/4"	.02" Tinned brass	.14	.11	.10	.09
534-3515	U	Snap-In	1/4"	.02" Tinned brass	.18	.128	.121	.099
534-3535	V	Rivet	1/4"	.02" Tinned brass	.29	.17	.156	.114
534-3531	W	Rivet	1/4"	.02" Tinned brass	.18	.12	.093	.083

KEYSTONE MOLDED BASE FUSE BLOCKS

For quantities greater than listed, call for quote.

MOUSER STOCK NO.	Keystone Part No.	Fig.	No. of Fuses	Fuse Size	Description	Price Each			
						1	100	500	1000
534-3527	3527	X	1	5mm x 20mm	Snap-fit PCB fuse holder	1.05	.80	.65	.58
534-4243	4243	Y	1	1/4" x 1 1/4"	Fuse holder with .250" quick disc.	2.80	2.24	1.87	1.21
534-4245	4245	Z	1	1/4" x 1 1/4"	PCB fuse holder	1.11	.82	.68	.632
534-3536	3536	AA	1	1/4" x 1 1/4"	Fuse holder for 1 fuse	1.44	1.15	1.05	.973
534-3537	3537	BB	2	1/4" x 1 1/4"	Fuse holder for 2 fuses	2.45	2.27	1.64	1.31
534-3538	3538	CC	3	1/4" x 1 1/4"	Fuse holder for 3 fuses	3.68	3.30	2.50	1.97
534-3539	3539	DD	4	1/4" x 1 1/4"	Fuse holder for 4 fuses	3.78	2.62	2.44	2.20
534-3523	3523	EE	1	1/4" x 1 1/4"	Fuse holder UL 94V-0	1.53	1.25	.973	.845
534-4527	4527	FF	1	5mm x 20mm	Low profile pcb fuse holder	.67	.50	.374	.239
534-4527C	4527C	GG	N/A	----	Cover for 534-4527	.16	.15	.13	.10