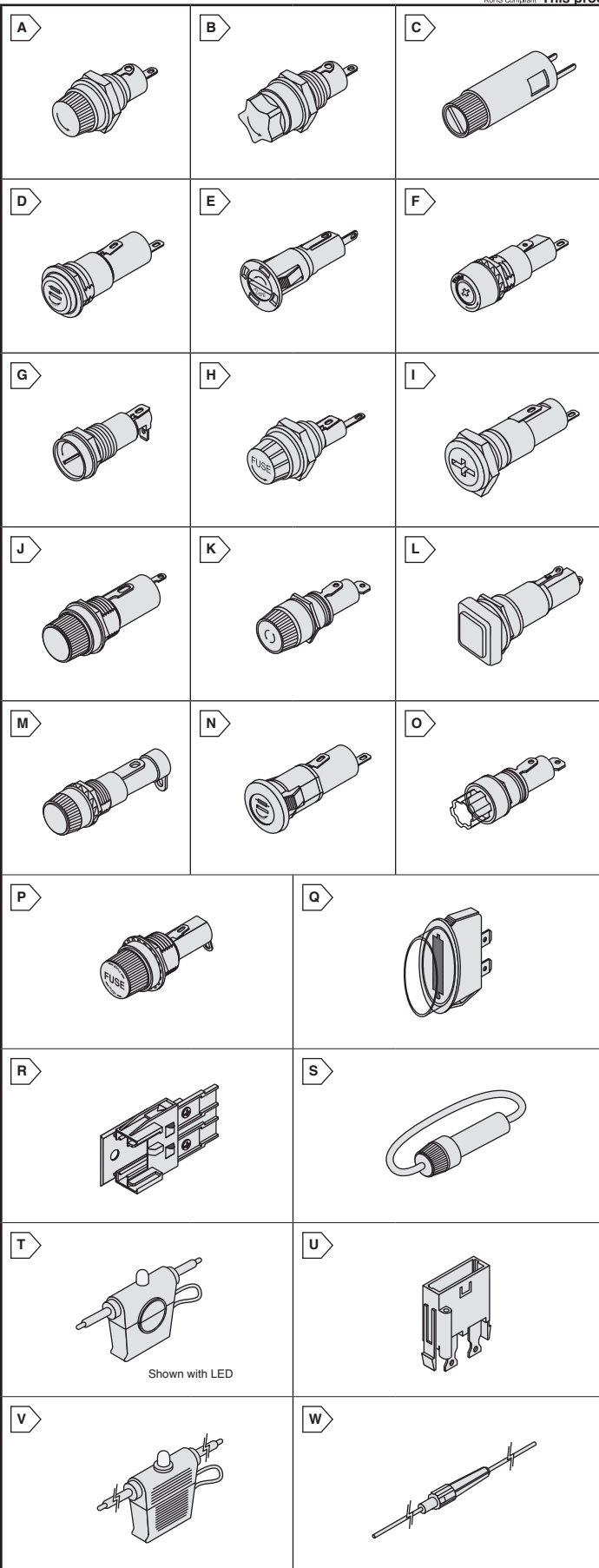


# EAGLE PLASTIC DEVICES Panel Mount & In-line Fuse Holders



RoHS Compliant This product is RoHS compliant.



## EAGLE PLASTIC DEVICES PANEL MOUNT FUSE HOLDERS

Fuse Size: 5mm x 20mm

For quantities greater than listed, call for quote.

MOUSER STOCK NO.	Fig.	Rating	Terminal Type	Price Each			
				1	100	500	1000
441-R3-12-GRX	A	10A/250VAC	.156" Solder	1.69	1.43	1.29	1.23
441-R26-GRX	B	3A/250VAC	.156" Solder	1.48	1.23	1.12	1.02
441-R324-GR	C	10A/250VAC	.428" PC	1.34	1.22	1.09	1.00
441-R344B-GR	D	15A/250VAC	.187" Faston	1.62	1.35	1.22	1.11
441-R354-GR	E	6.3A/250VAC	.109" Solder	1.30	1.08	.98	.89
441-R371-GR	F	10A/250VAC	.118" Solder	1.33	1.11	1.01	.92

Fuse Size: 5.2mm x 20mm

For quantities greater than listed, call for quote.

MOUSER STOCK NO.	Fig.	Rating	Terminal Type	Price Each			
				1	100	500	1000
441-R311-GRX	G	10A/250VAC	.156" Solder	1.77	1.47	1.34	1.22
441-R357-GRX	H	10A/250VAC	.187" Faston	1.26	1.05	.95	.86
441-0201-GR	G	10A/250VAC	.187" Faston	2.77	1.94	1.76	1.62

Fuse Size: 6.35mm x 30mm or x 31.8mm

For quantities greater than listed, call for quote.

MOUSER STOCK NO.	Fig.	Rating	Terminal Type	Price Each			
				1	100	500	1000
441-R361A-GRX	I	10A/250VAC	.250" Faston	2.38	1.98	1.80	1.64

Fuse Size: 6.4mm x 30mm or (1/4" x 1 1/4")

◆ Glass Tube Fuse

For quantities greater than listed, call for quote.

MOUSER STOCK NO.	Fig.	Rating	Terminal Type	Price Each			
				1	100	500	1000
441-R3-13-GRX	J	10A/250VAC	.187" Faston	2.00	1.60	1.45	1.32
441-R314A-GRX	K	10A/250VAC	.230" Solder	1.68	1.47	1.35	1.24
441-R314C-GRX	K	10A/250VAC	.230" Solder	1.68	1.47	1.35	1.24
441-R321AB-GRX	L	10A/250VAC	.148" Solder	1.42	1.17	1.05	.95
441-R321AB-GRX	L	10A/250VAC	.148" Solder	1.42	1.17	1.05	.95
441-R321AR-GRX	L	10A/250VAC	.148" Solder	1.42	1.17	1.05	.95
441-R321AW-GRX	L	10A/250VAC	.148" Solder	1.42	1.17	1.05	.95
441-R328-GRX	M	15A/250VAC	.187" Faston	1.44	1.19	1.09	.99
441-R344A-GR	D	15A/250VAC	.187" Faston	1.30	1.08	.98	.89
441-R349A-GR	N	10A/250VAC	.187" Faston	1.30	1.08	.98	.89
441-R353-GRX	O	15A/250VAC	.250" Faston	1.76	1.47	1.34	1.22
◆ 441-R363B-L2-GRX	O	20A/32VDC	.250" Faston	7.56	6.30	5.73	5.21
◆ 441-R363B-L5-GRX	O	20A/250VAC	.250" Faston	9.86	8.21	7.46	6.78
441-R374-RD-GR	P	10A/250VAC	.187" Faston	1.76	1.47	1.34	1.22
441-R374-GRN-GR	P	10A/250VAC	.187" Faston	1.76	1.47	1.34	1.22

Blade Fuse

For quantities greater than listed, call for quote.

MOUSER STOCK NO.	Fig.	Rating	Terminal Type	Price Each			
				1	100	500	1000
441-R367-GR	Q	30A/12-24VDC	.250" Faston	1.76	1.47	1.34	1.22
441-R372-GR	R	60A/12-32VDC	Screw	4.12	3.43	3.12	2.84

## EAGLE PLASTIC DEVICES IN-LINE FUSE HOLDERS

For quantities greater than listed, call for quote.

MOUSER STOCK NO.	Fig.	Description	Lead Length (in.)	Price Each			
				1	100	500	1000
441-R332A-GR	S	5.2 x 20mm black with red leads	7.9	1.50	1.36	1.21	1.12
441-R332B-GR	S	1/4"x1 1/4" black with red leads	7.9	1.50	1.36	1.21	1.12
441-R347A-GR	T	ATC Blade type, 30A/32VDC, 12AWG	10.2	2.45	2.05	1.86	1.69
441-R347B-GR	T	ATC Blade type, 20A/32VDC, 14AWG	10.2	2.23	1.86	1.69	1.54
441-R347C-GR	T	ATC Blade type, 15A/32VDC, 16AWG	10.2	2.67	2.23	2.02	1.84
441-R347D-GR	T	ATC Blade type, 10A/32VDC, 18AWG	10.2	1.93	1.61	1.46	1.33
441-R352-GR	U	AMT Max-blade type, 20A/24VDC	10.2	.93	.71	.65	.59
441-R359A-GR	T	Blade type, 30A/24VDC, 12AWG w/LED	10.2	3.32	2.78	2.52	2.29
441-R359B-GR	T	Blade type, 20A/24VDC, 14AWG w/LED	10.2	3.59	3.01	2.73	2.48
441-R359C-GR	T	Blade type, 15A/24VDC, 16AWG w/LED	10.2	3.59	3.01	2.73	2.48
441-R359D-GR	T	Blade type, 10A/24VDC, 18AWG w/LED	10.2	3.59	3.01	2.73	2.48
441-R360A-GR	V	Mini blade type, 30A/24VDC, 12AWG w/LED	11	3.88	3.23	2.94	2.67
441-R360B-GR	V	Mini blade type, 20A/24VDC, 14AWG w/LED	11	4.61	3.84	3.49	3.18
441-R360C-GR	V	Mini blade type, 15A/24VDC, 16AWG w/LED	11	3.79	3.16	2.87	2.61
441-R360D-GR	V	Mini blade type, 10A/24VDC, 18AWG w/LED	11	4.43	3.69	3.35	3.05
441-R364-GR	W	10A/250VAC, 16AWG	5.5	1.71	1.42	1.29	1.17