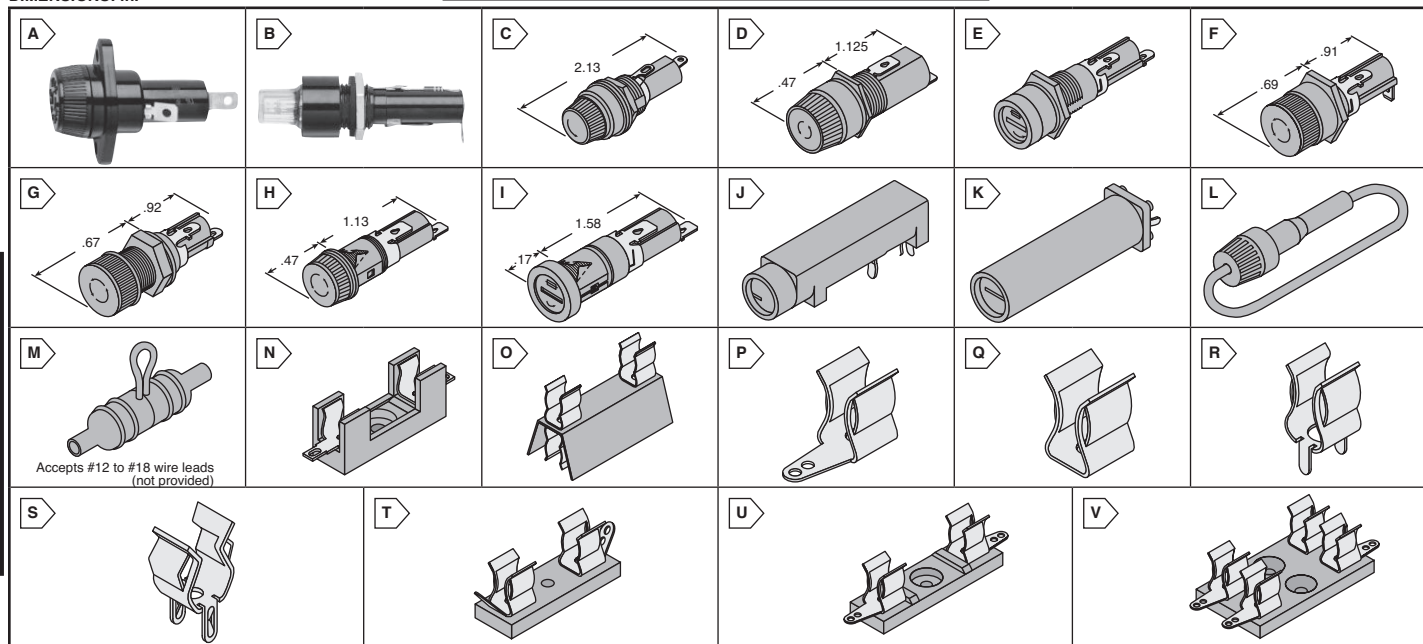


# COOPER BUSSMANN Fuse Holders, Clips, and Blocks

COOPER Busssmann

DIMENSIONS: in.

Products may be RoHS compliant. Check mouser.com for RoHS status.



## STANDARD PANEL MOUNT FUSE HOLDERS



## FUSE HOLDERS AND CLIPS

### PCB Fuse Holders

- \* "Kicked" terminals for optimum wave soldering
- \* Anti-wicking terminals



### Solder Terminals

For quantities greater than listed, call for quote.

MOUSER STOCK NO.	Fig	Mounting Position/Type	Profile	Current Rating	Fuse Size (In)	Price Each			
						1	25	50	100
504-HPF	A	Front/Hex Nut	Std.	30A@600V	13/32 x 1-5/16 to 1-1/2	8.95	8.76	8.57	8.22
504-HPF-C	A	Front/Hex Nut	Std.	30A@600V	13/32 x 1-5/16 to 1-1/2	8.95	8.76	8.57	8.22
504-HPF-L	A	Front/Hex Nut	Std.	5A@600V	13/32 x 1-5/16 to 1-1/2	9.51	9.31	9.12	8.93
504-HJM	B	Front/Hex Nut	Low	5A@125V	1/4 x 1	5.56	5.27	4.99	4.73
504-BK/HKP-CC-R	C	Rear Hex Nut	Low	20A@250V	1/4 x 1-1/4	3.94	3.57	3.20	2.92
504-BK/HKP-HH-R	C	Rear Hex Nut	Std.	15A@250V	1/4 x 1-1/4	4.97	4.20	3.82	3.44
504-BK/HKP-R	C	Rear Hex Nut	Std.	30A@250V	1/4 x 1-1/4	3.94	3.57	3.20	2.92

For quantities greater than listed, call for quote.

MOUSER STOCK NO.	Fig	Fuse Size (In)	Current Rating	Price Each			
				1	25	50	100
504-BK/HB-H-R	J	1/4 x 1-1/4	12a @ 250v	2.75	2.66	2.54	2.38
504-HBV-I	J	1/4 x 1-1/4	12A @ 250V	7.24	7.11	6.96	6.81
504-HB-H-M	J	5mm x 20mm	12A @ 250V	8.33	8.16	8.00	7.92
504-HBV-M	K	5mm x 20mm	12A @ 250V	7.83	7.56	7.22	6.77

## PANEL MOUNT FUSE HOLDERS

\* Flammability rating: UL 94V-0

\* Temperature range: -55°C to 85°C



### Standard (for 1/4" x 1 1/4" Fuses)

For quantities greater than listed, call for quote.

MOUSER STOCK NO.	Fig.	Mounting Position/Type	Profile	Current Rating	Rear Terminal	Price Each			
						1	25	50	100
504-HTB-22I	D	Rear Hex Nut	Low	15A @ 250V	3/16" Straight	7.00	6.80	6.18	6.03
504-HTB-24I	D	Rear Hex Nut	Low	15A @ 250V	3/16" Rt.Angle	7.00	6.80	6.18	6.03
504-HTB-26I	D	Rear Hex Nut	Low	20A @ 250V	1/4" Straight	6.00	5.78	5.49	5.29
504-HTB-28I	D	Rear Hex Nut	Low	20A @ 250V	1/4" Rt.Angle	6.00	5.78	5.49	5.29
504-HTB-32I	E	Rear Hex Nut	Low	15A @ 250V	3/16" Straight	3.51	2.97	2.70	2.43
504-HTB-34I	E	Rear Hex Nut	Low	15A @ 250V	3/16" Rt.Angle	7.00	6.80	6.18	6.03
504-HTB-36I	E	Rear Hex Nut	Low	20A @ 250V	1/4" Straight	6.00	5.78	5.49	5.29
504-HTB-42I	F	Rear Hex Nut	High	15A @ 250V	3/16" Straight	5.24	5.08	4.89	4.71
504-HTB-44I	F	Rear Hex Nut	High	15A @ 250V	3/16" Rt.Angle	5.12	5.00	4.89	4.71
504-HTB-46I	F	Rear Hex Nut	High	20A @ 250V	1/4" Straight	3.06	2.81	2.64	2.60
504-HTB-48I	F	Rear Hex Nut	High	20A @ 250V	1/4" Rt.Angle	4.87	4.08	3.59	3.35
504-HTB-54I	E	Rear Hex Nut	High	15A @ 250V	3/16" Rt.Angle	3.24	3.08	2.92	2.75
504-BK/HTB-56I-R	E	Rear Hex Nut	High	20A @ 250V	1/4" Straight	3.46	3.29	3.11	2.94
504-HTB-58I	E	Rear Hex Nut	High	20A @ 250V	1/4" Rt.Angle	5.58	4.67	4.11	3.84
504-HTB-62I	G	Front Hex Nut	High	15A @ 250V	3/16" Straight	6.02	5.89	5.77	5.64
504-HTB-64I	G	Front Hex Nut	High	15A @ 250V	3/16" Rt.Angle	3.86	3.67	3.46	3.27
504-HTB-66I	G	Front Hex Nut	High	20A @ 250V	1/4" Straight	6.04	5.89	5.70	5.64
504-HTB-82I	H	Front Snap-In	Low	15A @ 250V	3/16" Straight	3.46	3.29	3.11	2.94
504-HTB-86I	H	Front Snap-In	Low	20A @ 250V	1/4" Straight	5.65	5.44	5.36	5.29
504-HTB-88I	H	Front Snap-In	Low	20A @ 250V	1/4" Rt.Angle	3.78	3.59	3.40	3.21
504-HTB-92I	I	Front Snap-In	Low	15A @ 250V	3/16" Straight	3.46	3.29	3.11	2.94
504-HTB-98I	I	Front Snap-In	Low	20A @ 250V	1/4" Rt.Angle	4.64	4.41	4.18	3.94

### Miniature (for 5mm x 20mm Fuses)

For quantities greater than listed, call for quote.

MOUSER STOCK NO.	Fig.	Mounting Position/Type	Profile	Current Rating	Rear Terminal	Price Each			
						1	25	50	100
504-HTB-22M	D	Rear Hex Nut	High	16A @ 250V	3/16" Straight	6.00	5.78	5.49	5.29
504-HTB-26M	F	Rear Hex Nut	Low	16A @ 250V	1/4" Straight	5.69	5.46	5.37	5.30
504-HTB-28M	D	Rear Hex Nut	Low	16A @ 250V	1/4" Rt.Angle	5.66	5.57	5.40	5.29
504-HTB-32M	D	Rear Hex Nut	Low	15A @ 250V	3/16" Straight	6.00	5.78	5.49	5.29
504-BK/HTB-36M-R	E	Rear Hex Nut	Low	16A @ 250V	1/4" Straight	3.91	3.60	3.50	3.45
504-HTB-38M	E	Rear Hex Nut	Low	16A @ 250V	1/4" Rt.Angle	4.29	3.59	3.16	2.95
504-HTB-42M	F	Rear Hex Nut	High	15A @ 250V	3/16" Straight	5.12	5.00	4.89	4.71
504-HTB-46M	F	Rear Hex Nut	High	16A @ 250V	1/4" Straight	5.82	5.43	5.15	5.02
504-HTB-56M	E	Rear Hex Nut	High	16A @ 250V	1/4" Straight	3.92	3.72	3.53	3.33
504-HTB-62M	G	Front Hex Nut	High	15A @ 250V	3/16" Straight	6.00	5.78	5.49	5.29
504-HTB-82M	H	Front Snap-In	Low	15A @ 250V	3/16" Straight	2.50	2.40	2.37	2.35

### In-Line Fuse Holders

\* Leads not supplied For quantities greater than listed, call for quote.

MOUSER STOCK NO.	Fig	Fuse Size (In)	Lead Lth. (in.)	Price Each			
				1	25	50	100
504-BK/HRK-R	L	1/4 x 7/8 to 1/4 x 1-1/4	---	5.69	4.81	4.37	3.93
504-HMJ	L	1 1/4 fuses 20A inc.	8	5.12	4.87	4.60	4.38
504-BK/HFA-R	M	1/4 x 1-1/4 waterproof	---	23.87	21.77	19.68	18.36
504-HFB	M	1/4 x 1 1/4 waterproof	---	9.00	8.79	8.66	8.53

### Fuse Blocks

- \* 1/4" x 1 1/4" fuse size
- \* Anti-pivot barrier
- \* Spring-bronze clips
- \* Totally sealed base

For quantities greater than listed, call for quote.

MOUSER STOCK NO.	Fig	Description	Price Each			
			1	25	50	100
504-S-8001-1	N	Solder terminal	.95	.915	.865	.845
504-S-8101-1	N	3/16 quick connect	.92	.872	.821	.775
504-S82022	N	For 1/4 x 1-1/4	3.53	3.50	3.47	3.42

## FUSE CLIPS AND BLOCKS

### Twin Clips

Makes it unnecessary to replace blown pigtail fuse by cutting or soldering. Twin-clips snap on the blown fuse.

For quantities greater than listed, call for quote.

MOUSER STOCK NO.	Fig	Fuse Size (In)	Price Each			
			1	25	50	100
504-3434	O	5/8 to 1 1/4 long; insulated	5.03	4.78	4.53	4.27

### Fuse Clips - Spring Bronze

For quantities greater than listed, call for quote.

MOUSER STOCK NO.	Fig	Description	Price Each			
			1	25	50	100
504-5678-14	P	1/4" solder terminal	.19	.183	.171	.164
504-5682-41	Q	1/4" screw mount	.14	.133	.125	.119
504-1A1119-10	R	1/4" PC mount with stop	.26	.24	.235	.23
504-1A1907-06	R	For 1/4" Diameter	.16	.147	.143	.14
504-1A3399-10	S	5mm PC mount with stop	.19	.18	.175	.17
504-1A3400-09	R	For 13/32" Diameter	.72	.608	.535	.50

### Fuse Clips - Silver Plated

- \* Molded bakelite base
- \* Beryllium copper solder terminal

For quantities greater than listed, call for quote.

MOUSER STOCK NO.	Fig	Description	Current Rating	Price Each			
				1	25	50	100
504-3828-1	T	1" fuse size	30A @ 250	4.63	4.36	4.05	3.84
504-4405	U	1 1/4" fuse size	30A @ 250	5.64	5.32	4.94	4.64
504-4408	V	1 1/4" fuse size	30A @ 250	12.52	11.78	10.92	10.18